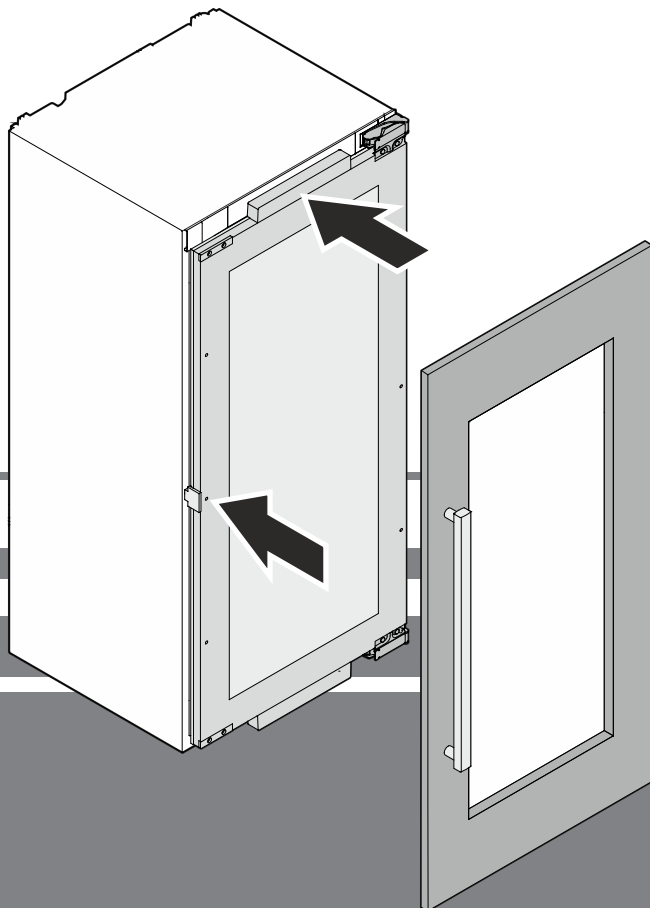


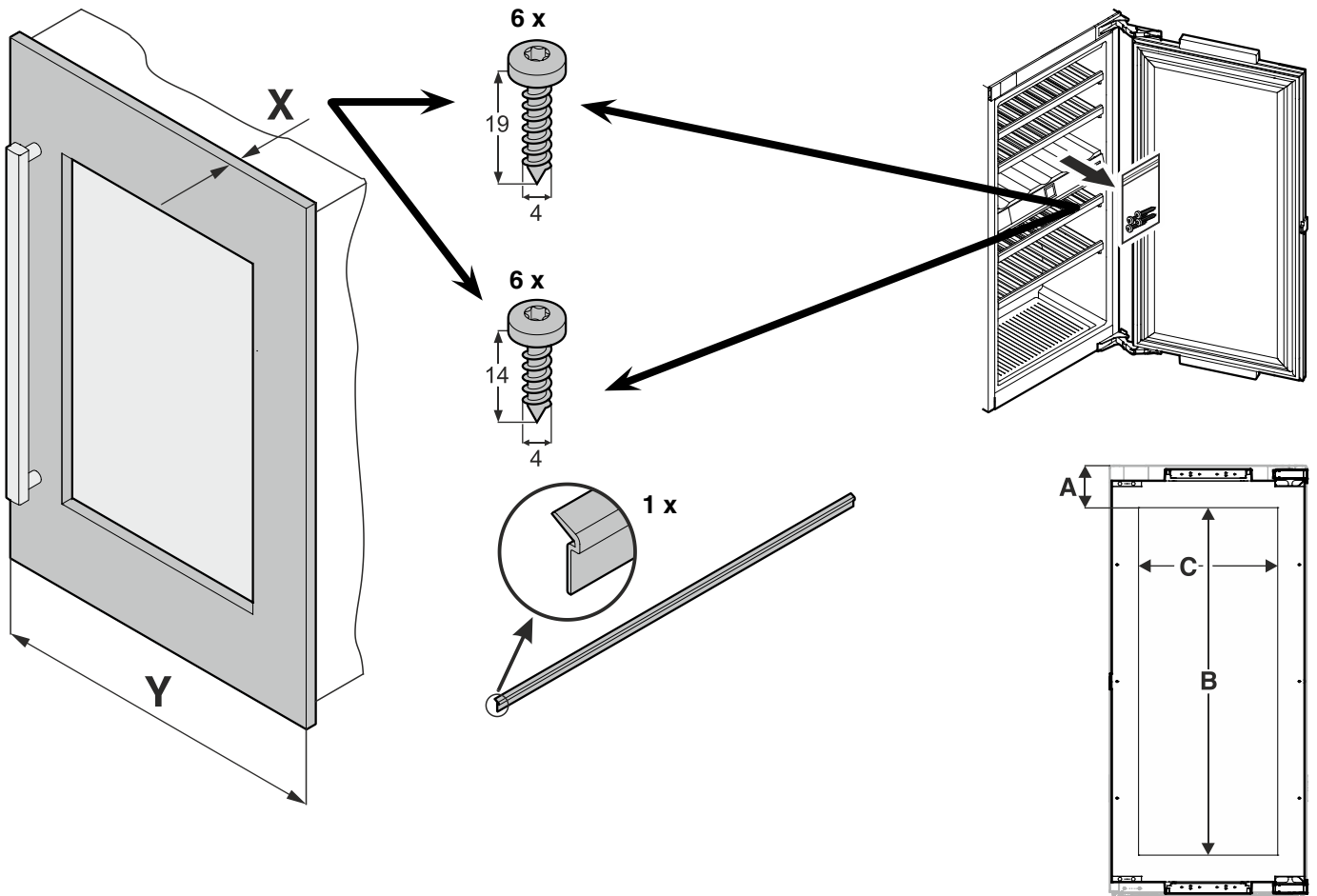
# Montageanleitung / Assembly instructions



**7085 661-00**

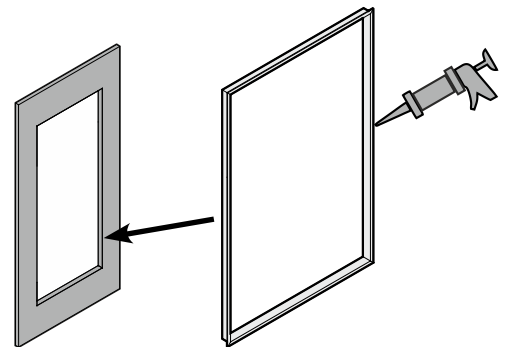
EWTdf 1653 / 2353 / 3553



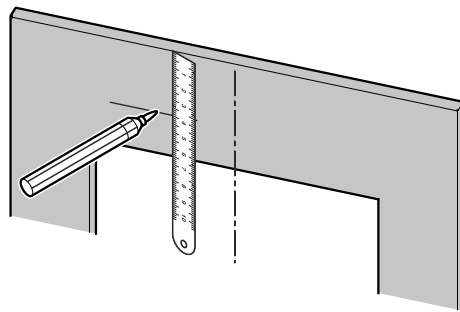
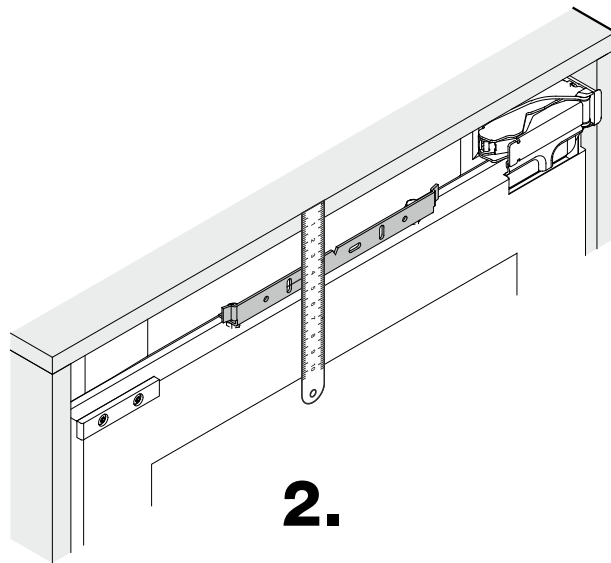
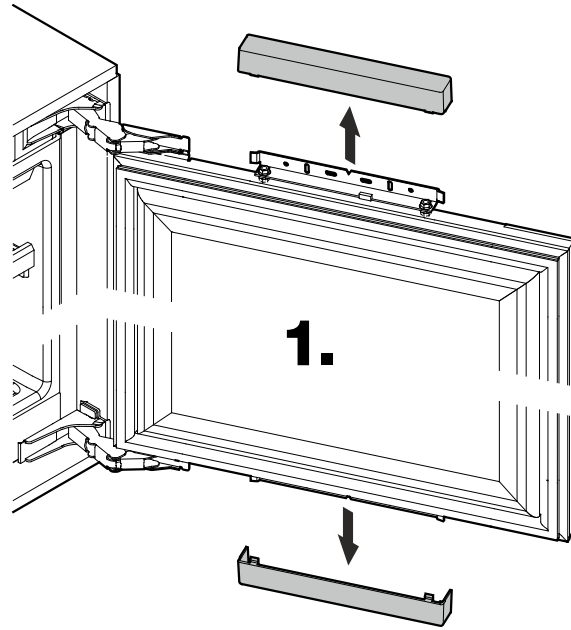


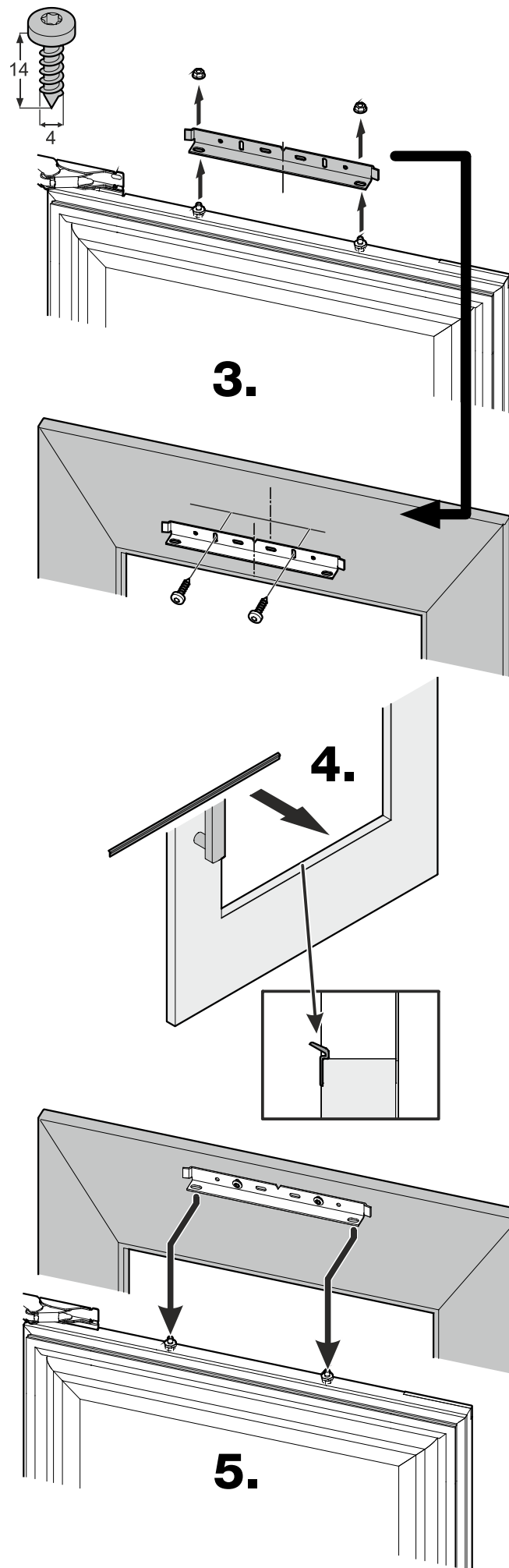
Panel Dimension max.						
	A (mm / MM)	B (mm / MM)	C (mm / MM)	X (mm / MM)		Y (mm / MM)
EWTdf 16..	min. 119	max. 637	max. 395mm	min. 16 max. 22	max. 20kg	595
EWTdf 23..		max. 983				
EWTdf 35..		max. 1535				

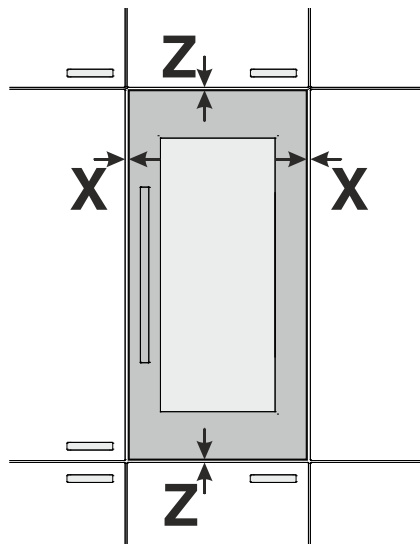
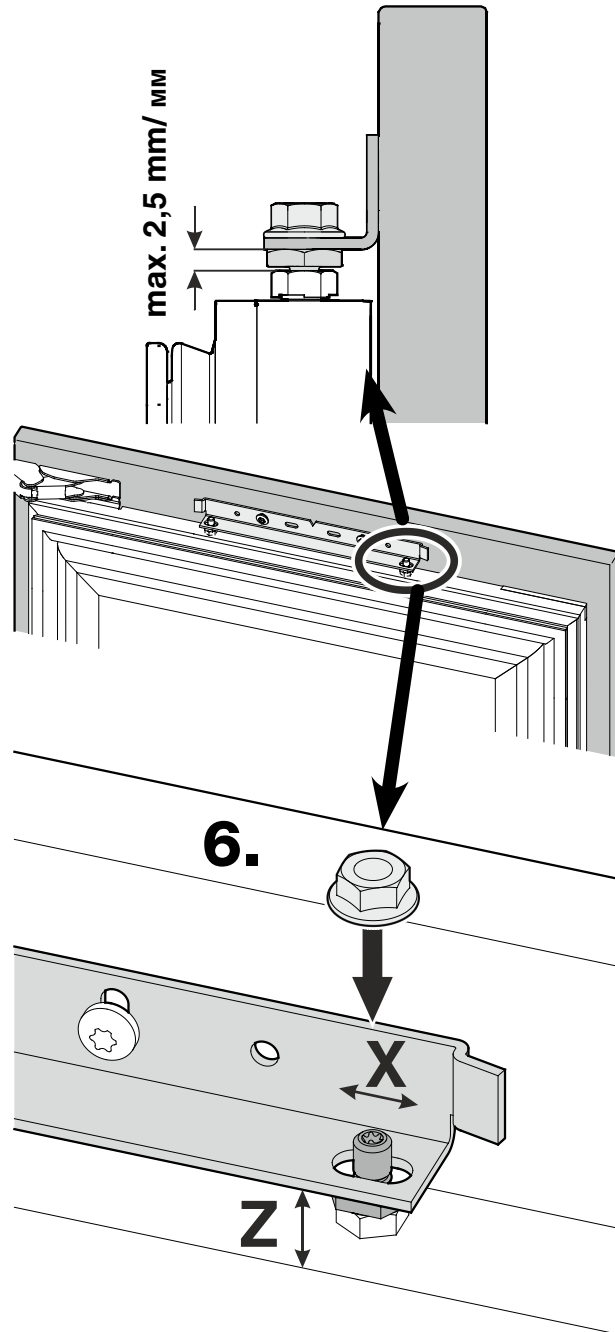
**Panel Dimension for aluminium profil frames with thickness X (accessories)**

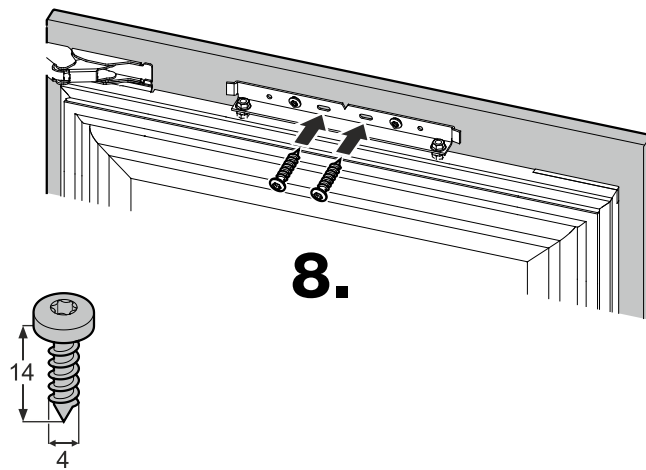
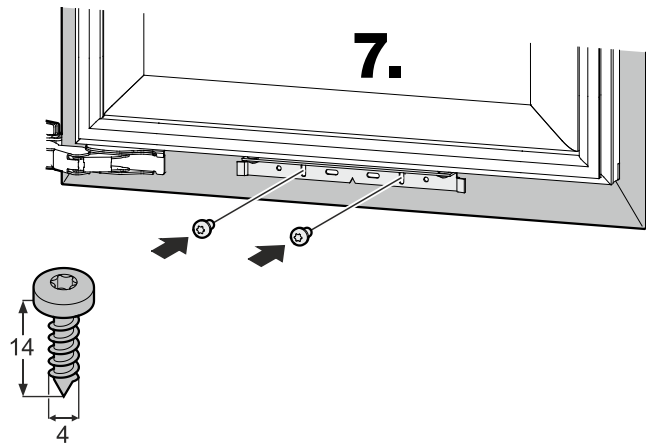


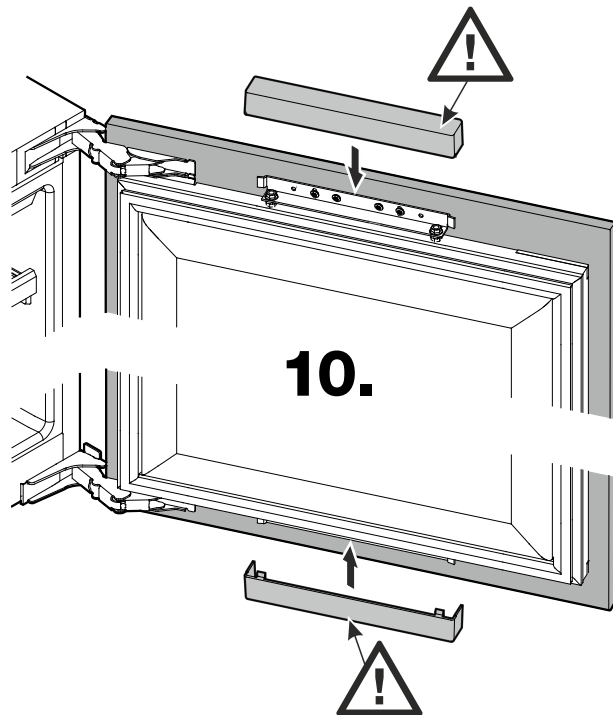
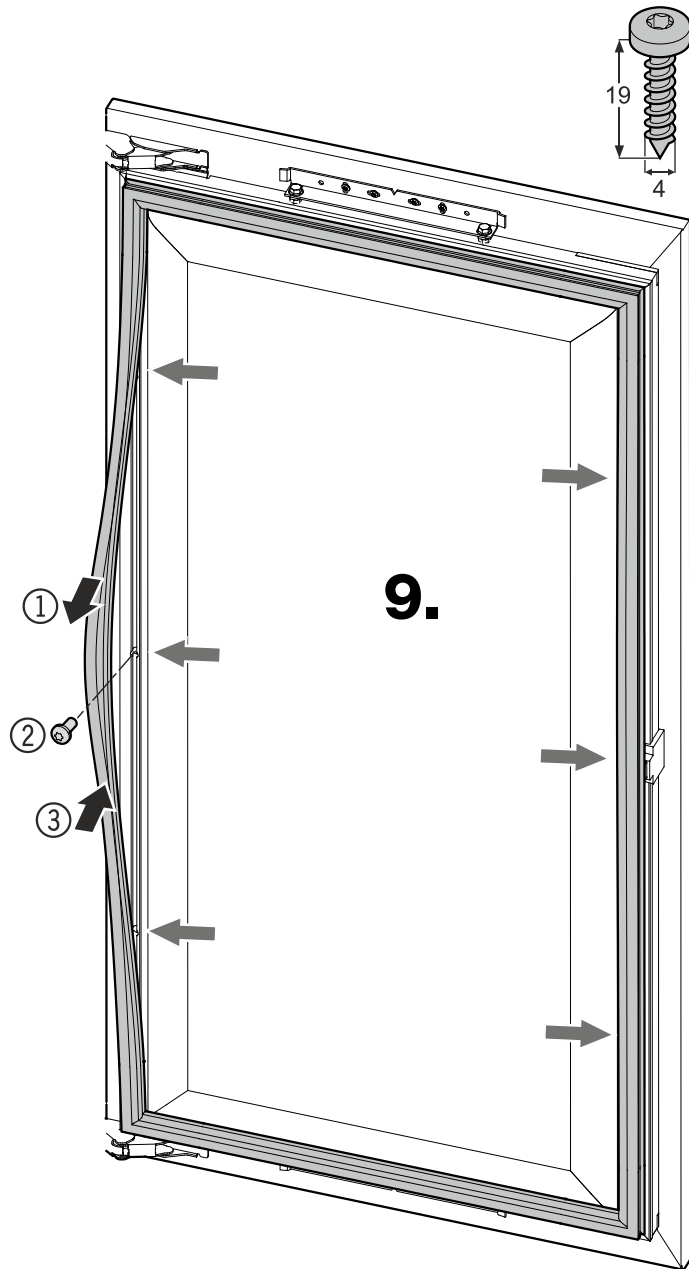
	A (mm / MM)	B (mm / MM)	C (mm / MM)	X (mm / MM)
EWTdf 16..	133	594	391	19 or 22
EWTdf 23..	152	921		
EWTdf 35..	133	1504		













---

Liebherr Hausgeräte Lienz GmbH \* Dr.-Hans-Liebherr-Strasse 1 \* A-9900 Lienz \*\* [www.liebherr.com](http://www.liebherr.com)

---

---

---