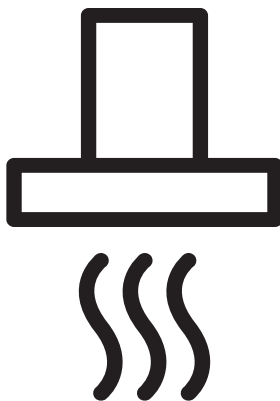




## Cooker Hood

User Manual



HNU 61425 B

EN - PL - ET - LV - LT - FR - NL - DE



01M-9201783200-2523-05

# CONTENTS

---

|                   |                |
|-------------------|----------------|
| <b>ENGLISH</b>    | <b>3-16</b>    |
| <b>POLSKI</b>     | <b>17-32</b>   |
| <b>EESTI</b>      | <b>33-45</b>   |
| <b>LATVIEŠU</b>   | <b>46-58</b>   |
| <b>LIETUVIŲ K</b> | <b>59-72</b>   |
| <b>FRANÇAIS</b>   | <b>73-87</b>   |
| <b>NEDERLANDS</b> | <b>88-102</b>  |
| <b>DEUTSCH</b>    | <b>103-118</b> |

# Please read this user manual first!

Dear Valued Customer,

Thank you for preferring this Beko appliance. We hope that you get the best results from your appliance which has been manufactured with high quality and state-of-the-art technology. For this reason, please read this entire user manual and all other accompanying documents carefully before using the appliance and keep it as a reference for future use. If you handover the appliance to someone else, give the user manual as well. Follow the instructions by paying attention to all the information and warnings in the user manual.

Remember that this user manual may also apply to other models. Differences between models are explicitly described in the manual.

## Meanings of the Symbols

Following symbols are used in various sections of this user manual:



Important information and useful hints about usage.



**WARNING:** Warnings against dangerous situations concerning the security of life and property.



**WARNING:** Warning for danger of fire.



**WARNING:** Warning for electric shock.



# 1 Important safety and environmental instructions

## 1.1 General Safety

**Important Safety Instructions Read Carefully And Keep For Future Reference** This section contains safety instructions that will help protect from risk of fire, electric shock, exposure to leak microwave energy, personal injury or property damage. Failure to follow these instructions shall void any warranty.

- Beko products comply with the applicable safety standards; therefore, in case of any damage on the appliance or power cable, it should be repaired or replaced by the dealer, service center or a specialist and authorized service alike to avoid any danger. Faulty or unqualified repair work may be dangerous and cause risk to the user.
- This appliance is intended to be used in household and similar applications such as:
  - Staff kitchen areas in shops, offices and other working environments;
  - Farm houses
  - By clients in hotels, and other residential type environments;
  - Bed and Breakfast type environments.
- Operate the appliance for its intended purpose only as described in this manual.
- The manufacturer cannot be held liable for damages resulting from improper installation or misuse of the product.
- This appliance can be used by children aged from 8 years and above and persons with reduced physical, sensory or mental capabilities or lack of experience and knowl-



# 1 Important safety and environmental instructions

edge if they have been given supervision or instruction concerning use of the appliance in a safe way and understand the hazards involved.

- Children shall not be allowed play with the appliance. Cleaning and user maintenance shall not be made by children without supervision.
- The minimum distance between the supporting surface for the cooking vessels on the hob and the lowest part of your product must be at least 65 cm.
- If the instructions for installation for the gas hob specify a greater distance, this has to be taken into account.
- Make sure that your mains power supply complies with the information supplied on the rating plate of the appliance.

- Never use the appliance if the power cable or the appliance itself is damaged.
- Prevent damage to the power cable by not squeezing, bending, or rubbing it on sharp edges. Keep the power cable away from hot surfaces and naked flame.
- Use the appliance with a grounded outlet only.

**WARNING:** Do not connect the appliance to the mains until the installation is fully complete.

- Place the appliance in a way so that the plug is always accessible.
- Do not touch the lamps if they have operated for a long time. They can burn your hands since they will be hot.
- Follow the regulations set out by competent authorities on discharge of the exhaust air (this warning is not applicable for use

# 1 Important safety and environmental instructions

without flue).

- Operate your appliance after putting a pot, pan etc. on the hob. Otherwise, high heat may cause deformation in some parts of your product.
- Turn off the hob before taking the pot, pan etc. from it.
- Do not leave hot oil on the hob. Pans with hot oil may cause self combustion.
- Pay attention to your curtains and covers since oil may catch fire while cooking food such as fries.
- Grease filter must be cleaned at least monthly. Carbon filter must be replaced at least every 3 months.
- Product shall be cleaned accordance with user manual. If cleaning was not carried out in accordance with user manual, there may be fire risk.
- Do not use non-fire-resistant filtering materials instead of the current filter.
- Only use the original parts or parts recommended by the manufacturer.
- Do not operate the product without the filter and do not remove the filters while the product is running.
- In the event of be started any flame, de-energize your product and cooking appliances.
- In the event of be started any flame, cover the flame and never use water to extinguish.
- Unplug the appliance before each cleaning and when the appliance is not in use.
- The negative pressure in the environment should not exceed 4 Pa (4x10 bar) while the hood for electric hob and appliances running on another type of energy but electricity op-

# 1 Important safety and environmental instructions

erate simultaneously.

- In the environment where the appliance is being used, the exhaust of devices running on fuel oil or gas, such as room heater must be absolutely isolated or device must be hermetical type.
- When connecting the flue, use pipes with a diameter of 120 or 150 mm. Pipe connection must be as short as possible and have as few elbows as possible.
- Danger of choking! Keep all the packaging materials away from children.

**CAUTION:** Accessible parts may become hot when used with cooking appliances.

- The product outlet must not be connected to air channels that include other smoke.
- The ventilation in the room may be insufficient when the hood for electric hob

is used simultaneously with the devices operating on gas or other fuels (this may not apply to appliances that only discharge the air back into the room).

- Objects placed on the product may fall. Do not place any objects on the product.
- Do not flambe under the your product.

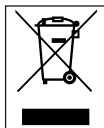
**WARNING:** Before installing the Hood, remove the protective films.

- Never leave high naked flames under the hood when it is in operation
- Deep fat fryers must be continuously monitored during use: overheated oil can burst into flames.

## 1.2 Compliance with the WEEE Directive and Disposing of the Waste Product:

This product complies with EU WEEE Directive (2012/19/EU). This product bears a classification symbol for waste electrical and electronic equipment (WEEE).

# 1 Important safety and environmental instructions



This symbol indicates that this product shall not be disposed with other household wastes at the end of its service life. Used device must be returned to official collection point for recycling of electrical and electronic devices.

To find these collection systems please contact to your local authorities or retailer where the product was purchased. Each household performs important role in recovering and recycling of old appliance. Appropriate disposal of used appliance helps prevent potential negative consequences for the environment and human health.

## 1.3 Compliance with RoHS Directive

The product you have purchased complies with EU RoHS Directive (2011/65/EU). It does not contain harmful and prohibited materials specified in the Directive.

## 1.4 Package Information

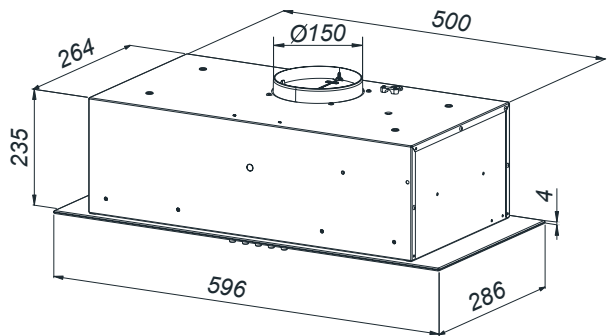
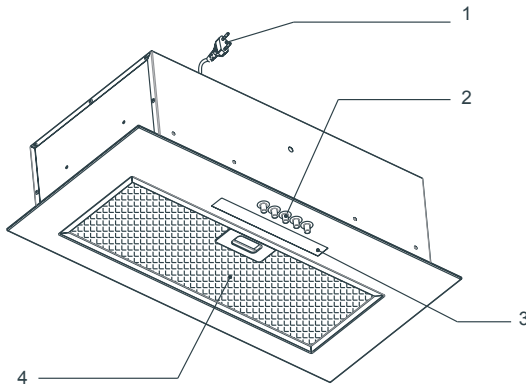


Packaging materials of the product are manufactured from recyclable materials in accordance with our National Environment Regulations.

Do not dispose of the packaging materials together with the domestic or other wastes. Take them to the packaging material collection points designated by the local authorities.

## 2 General appearance

### 2.1 Overview



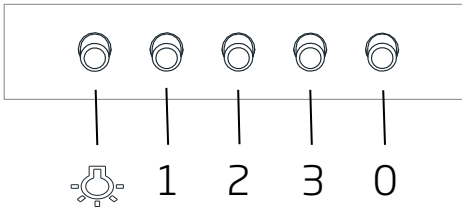
1. Power cord
2. Mechanical control
3. Lighting
4. Grease filter

### 2.2 Technical data


|                                     |                       |
|-------------------------------------|-----------------------|
| <b>Model</b>                        | HNU 61425 B           |
| <b>Supply voltage and frequency</b> | 220-240 V 50 Hz       |
| <b>Lamp power</b>                   | 5 W                   |
| <b>Motor power</b>                  | 115 W                 |
| <b>Air flow – 3. Level</b>          | 415 m <sup>3</sup> /h |
| <b>Motor insulation class</b>       | class F               |
| <b>Insulation class</b>             | class II              |

## 3 Using the appliance

### 3.1 Use of the rocker switch



The hood is equipped with a mechanical control.


- Pressing the “0” - disables the hood.
- Pressing the “1” - to turn the hood with a minimum speed.
- Pressing the “2” - turns the hood with an average speed.
- Pressing the “3” - turns the hood at maximum speed.
- Press the button  to turn on the lights. Repeat pressing the button to turn off the lighting.

### 3.2 Energy efficient usage

- When using your appliance, adjust the speed settings according to vapour and odour intensity, in order to save energy.
- Use low speeds (1-2) under normal conditions, and high speed (3) and boost mode for intense odour and vapour.
- The hood is equipped with lamps in order to illuminate the cooking area.
- Using them for environmental lighting shall cause unnecessary energy expenditure and insufficient lighting.
- For your device to consume less energy, run it at a low speed level.
- Your device will reduce energy consumption as it will run more efficiently when you provide sufficient air intake to it.

- Set your device to the intense suction power level before the formation of steam, in cases where you know that the dense steam will occur. So, you reduce energy consumption by using your device for a shorter time as it will have a sufficient air intake.
- Keep the lids of the cookware closed to reduce the steam evolving.

### 3.3 Operating the Hood

- Hood is equipped with a motor having various speed settings.
- For a better performance, we advise you to use low speeds in normal conditions, and high speeds when smell and vapors are intensified.
- You can start the hood by pressing the desired speed level key.(1,2,3 )
- You can illuminate the cooking area by pressing the light key.(  )

### 3.4 Lamp replacement



- Before replacing the light bulbs, disconnect the power supply of the hood.
- Do not touch the light bulbs when they are hot.
- Be careful not to touch the replaced light bulb directly with hands.



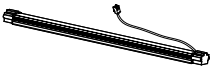
You may procure lamps from Authorised Service Agents.

Led strip is used in the product 5 W. Before starting any works related to the light replacement, switch off the power.

In the case of hood with a LED panel, the replacement of the light source should be entrusted to a properly licensed person

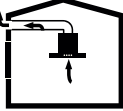
## 3 Using the appliance

(e.g. an electrician) or the fault should be reported to an authorized service center.

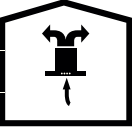
|                                      |   |
|--------------------------------------|---|
| <b>Lamp</b>                          |  |
| <b>Power</b>                         | 5 W   |
| <b>Socket</b>                        | NS39-G2   |
| <b>Voltage</b>                       | 220 – 240 W   |
| <b>Dimension</b>                     | 300 x 26 mm   |
| <b>Luminous flux</b>                 | 420 lm  |
| <b>Correlated colour temperature</b> | 3800 K  |

This product contains a light source of energy efficiency class "F".

### 3.5 Operation with chimney connection

-  Vapour is extracted through the flue duct, which is fastened to the connection head on the hood.
- The diameter of the flue duct must be the same as the connection ring. In horizontal settings, the pipe has to have a slight upward slope (around 10°) so that the air can exit the room easily.

### 3.6 Operation without chimney connection

-  Air is filtered through the carbon filter and recirculated in the room. Carbon filter is used when it is impossible to use a flue in the house.
- In flueless use, remove the flaps inside the flue adapter.
- Remove the aluminum grease filter. To install the carbon filter, fit the filter

to the tabs by centring it on the plastic piece on both sides of the fan body. tighten it by turning right or left.

- Replace aluminum grease filter.

## 4 Cleaning and maintenance

The device should be cleaned and maintained regularly. Failure to keep the device clean will adversely affect the service life of the device. For cleaning and maintenance, follow the instructions stated in the manual.



Before cleaning and maintenance, unplug the product or turn off the switch.



Non-compliance with the provisions associated with the cleaning of the device and replacement of the filters may result in a risk of fire. Therefore, it is recommended to follow the guidelines stated here. The manufacturer is not responsible for the engine damages or fires originating from the improper use.

Clean using only a cloth dampened with a neutral liquid detergent. Do not use abrasive products or alcohol.

### 4.1 Cleaning of Grease Filter

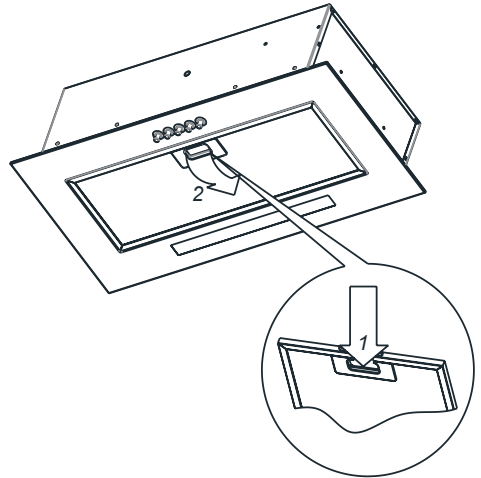
This filter captures oil particles in the air. You are recommended to clean your filter every month under normal usage conditions. First remove the grease filters for this process. Wash the filters with liquid detergent and rinse them with water and install them back after they get dry. Aluminium grease filters may get discolored as they are washed; this is normal and you don't need to change your filter.



You may wash your grease filter in the dishwasher.

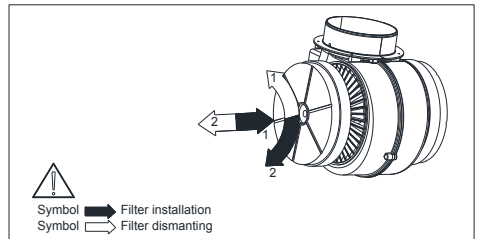


**CAUTION:** In case of normal use, clean your filter once in a month.



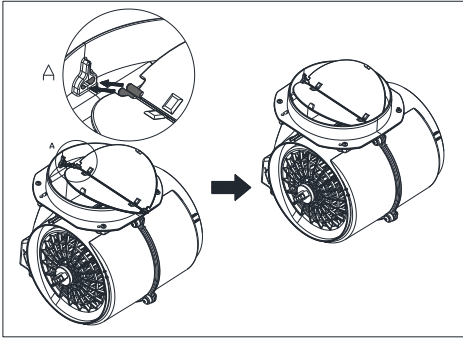
### 4.2 Changing of Carbon Filter (Air Circulation Mode)

The hood can be fitted with an active carbon filter. The carbon filter is applied only in case the hood is not connected to the vent duct.





## 4 Cleaning and maintenance



### WARNING:

- The carbon filter is never washed.
- Replace carbon filters once every 3 months.
- Carbon filter is available from Authorized Services.

## 5 Setting up the device



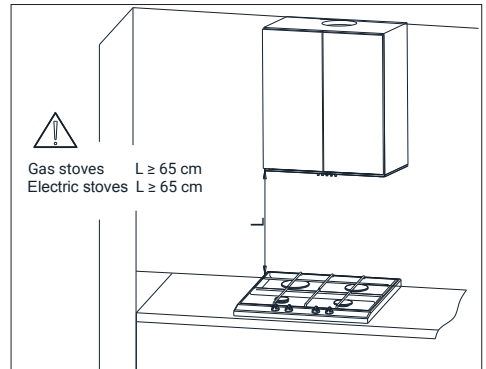
**WARNING:** Before starting the installation, read the safety information on user manual.



**WARNING:** Failure to install with screws and stabilizers in accordance with these instructions may result in electric shock.

For the installation of the hood, please contact the nearest Authorized Service.

It is the customer's responsibility to prepare the location and electrical installation of the hood.

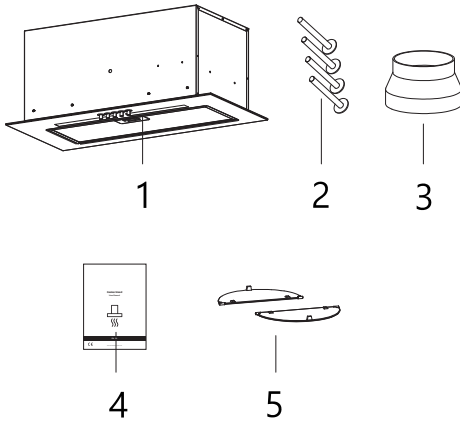


### 5.1 Position of the appliance

- Distance between the cooker and the cooker hood must be considered prior to assembly. This distance should be 65 cm.
- Distance must be measured from the surface of grate for gas cookers, from surface of glass for electric cookers.

# 5 Setting up the device

## 5.2 Installation accessories

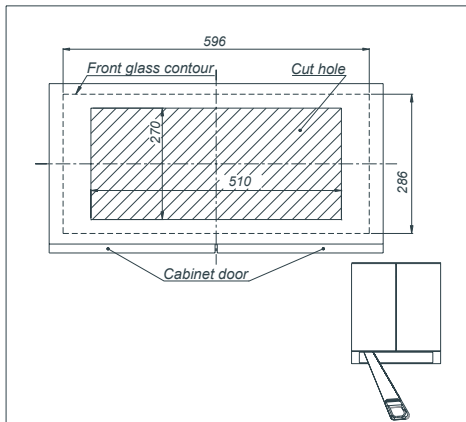


1. Hood
2. 4x5x35 mm Screw
3. ø150/ ø120 plastic adapter
4. User Manual
5. Blower flaps

## 5.3 Installation of the device

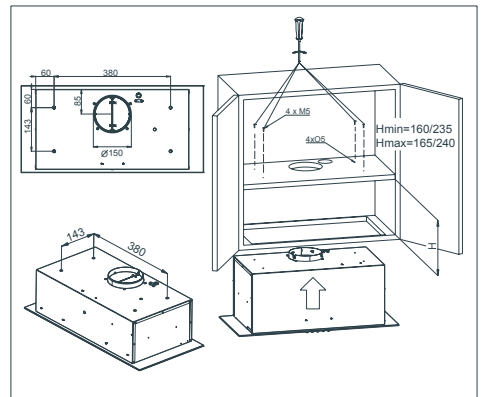
1. Prepare the cabinet for the installation of the hood, cut the hole in the bottom of the cabinet in accordance with the drawing.

Preparation of the cabinet



2. Remove the grease filters
3. Carefully insert the hood into the previously cut hole, hold the hood with one hand or ask an additional person for help. Screw in the bolts / screws choosing one mounting variant a- fixing to the top of the cabinet, b- fixing to the side of the cabinet.

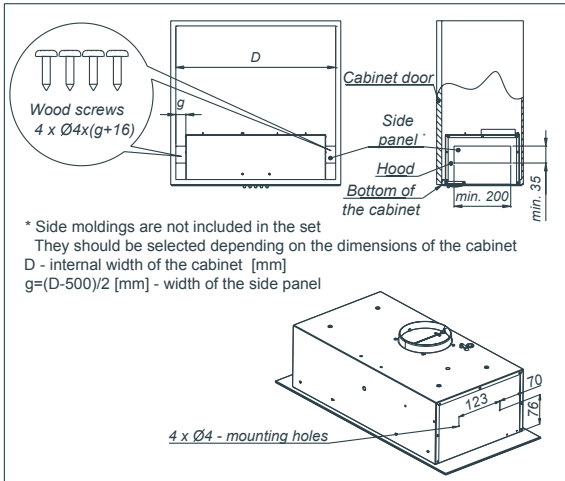
Installation of the hood - top mounting version



4. When attaching the hood to the top of the cabinet, prepare holes in the shelf of the cabinet according to the dimensions shown in the drawing. However, in the case of a side variant, the side skirts should be prepared as described in

## 5 Setting up the device

Installation of the hood - side mounting version



### 5.4 Electrical connections

The network voltage shall correspond to the voltage indicated at the plate placed inside the hood. If the hood is equipped with a plug, insert it into the socket complying with the applicable requirements, and located in the easily accessible place. If the hood is not equipped with a plug, the hood installations shall be performed by a person having the required authorizations (such as electrician).

### 5.5 Storage

- If you do not intend to use the appliance for a long time, please store it carefully.
- Please make sure that the appliance is unplugged, cooled down and totally dry.
- Store the appliance in a cool and dry place.
- Keep the appliance out of the reach of children

### 5.6 Handling and transportation

- During handling and transportation, carry the appliance in its original packaging. The packaging of the appliance protects it against physical damages.
- Do not place heavy loads on the appliance or the packaging. The appliance may be damaged.
- Dropping the appliance will render it non-operational or cause permanent damage.

## 6

# Troubleshooting

| <b>Troubleshooting</b>                    | <b>Root cause</b>                | <b>Help</b>   |
|---|----------------------------------|---|
| Appliance is not working.                 | Check your fuses.                | Fuse may be blown, inspect and restore it.  |
| Appliance is not working.                 | Check the electrical connection. | Mains voltage shall be between 220 and 240 V.   |
| Appliance is not working.                 | Check the electrical connection. | Check if other appliance in your kitchen operate.   |
| Illumination light does not operate.      | Check the electrical connection. | Mains voltage shall be between 220 and 240 V.   |
| Illumination light does not operate.      | Inspect the lamp switch.         | Lamp switch shall be at "on" position.  |
| Illumination light does not operate.      | Inspect the lamps.               | The lamps of the appliance shall illuminate.  |
| Air inlet of the appliance is inadequate. | Inspect the grease filter.       | Under normal operating conditions, grease filter shall be cleaned at least once in a month.                         |
| Air inlet of the appliance is inadequate. | Check the air discharge chimney. | The air discharge chimney shall be at "on" position.  |
| Air inlet of the appliance is inadequate. | Inspect the carbon filter.       | The filters of the appliances with carbon filters shall be replaced once in every 3 months under normal conditions. |

# Proszę najpierw przeczytać tę instrukcję obsługi!

Szanowny Kliencie,

dziękujemy za wybranie urządzenia marki Beko. Mamy nadzieję, że zakupione urządzenie, wyprodukowane z zapewnieniem wysokiej jakości przy użyciu najnowszych technologii, okaże się w pełni zadowolające. W tym celu przed użyciem urządzenia należy uważnie przeczytać całą instrukcję obsługi oraz dołączone dokumenty i zachować je do wglądu na przyszłość. Przekazując urządzenie innemu użytkownikowi, należy dołączyć również niniejszą instrukcję. Należy postępować zgodnie z instrukcjami, zwracając uwagę na wszystkie informacje i ostrzeżenia zamieszczone w niniejszym dokumencie.

Należy pamiętać, że niniejsza instrukcja może odnosić się także do innych modeli. Różnice pomiędzy modelami są wyraźnie opisane w instrukcji.

## Znaczenie symboli

W różnych częściach niniejszej instrukcji obsługi stosowane są następujące symbole:



Ważne informacje i przydatne wskazówki dotyczące użytkowania.



**OSTRZEŻENIE:** Ostrzeżenia przed niebezpiecznymi sytuacjami zagrażającymi życiu i mieniu.



Niebezpieczeństwo pożaru.



Ostrzeżenie przed porażeniem prądem.



# 1 Ważne instrukcje dotyczące bezpieczeństwa i ochrony środowiska

## 1.1 Ogólne zasady dotyczące bezpieczeństwa

Ważne zasady dotyczące bezpieczeństwa. Przeczytaj je uważnie i zachowaj na przyszłość. Rozdział ten zawiera instrukcje zachowania bezpieczeństwa, które pomogą chronić się przed ryzykiem pożaru, porażenia prądem elektrycznym, wycieku mikrofal, obrażeniami ciała lub szkodami w mieniu. Nieprzestrzeganie tych instrukcji spowoduje unieważnienie gwarancji.

- Produkty firmy Beko spełniają wszystkie wymogi stosownych norm bezpieczeństwa. W przypadku jakiegokolwiek uszkodzenia urządzenia lub przewodu zasilającego, aby uniknąć wszelkich zagrożeń, należy oddać je do naprawy lub wymiany przez sprzedawcę, punkt serwisowy lub specjalistę albo autoryzowany serwis. Błędna lub niefachowa naprawa

może być niebezpieczna i powodować zagrożenie dla użytkowników.

- To urządzenie jest przeznaczone do użytku domowego i podobnych zastosowań, na przykład:
  - na zapleczu kuchennym przez personel sklepów, biur i innych miejsc pracy;
  - w gospodarstwach rolnych;
  - do użytku przez klientów hoteli i innych obiektów noclegowych;
  - w pensjonatach.
- Urządzenie należy stosować tylko zgodnie z jego przeznaczeniem, w sposób opisany w niniejszej instrukcji.
- Producent nie ponosi odpowiedzialności za szkody powstałe w wyniku nieprawidłowej instalacji lub niewłaściwego stosowania produktu.
- Urządzenie może być ob-

# 1 Ważne instrukcje dotyczące bezpieczeństwa i ochrony środowiska

sługiwane przez dzieci w wieku 8 lat i starsze, osoby o ograniczonych możliwościach fizycznych, postrzegania lub umysłowych, a także osoby bez doświadczenia lub wiedzy w zakresie obsługi urządzenia, o ile będą one pod nadzorem lub zostaną szczegółowo poinstruowane o bezpiecznym korzystaniu z urządzenia i zrozumieją potencjalne zagrożenia.

- Nie należy pozwalać dzieciom bawić się urządzeniem. Dzieci nie mogą czyścić ani konserwować urządzenia bez nadzoru.
- Minimalna odległość pomiędzy powierzchniami podpór garnków znajdującymi się na szczycie kuchenki a najniższą częścią produktu musi wynosić co najmniej 65 cm.
- Jeżeli w instrukcji instalacji gazowej płyty kuchennej podano odległość

większą, wówczas należy zastosować wskazaną wartość.

- Zasilanie z domowej sieci elektrycznej musi być zgodne z informacjami podanymi na tabliczce znamionowej urządzenia.
- Urządzenia nie wolno nigdy używać, jeśli przewód zasilający lub samo urządzenie są uszkodzone.
- Aby zapobiec uszkodzeniu przewodu zasilającego, nie wolno dopuścić do jego ściskania, zginania lub ocierania o ostre krawędzie. Trzymaj przewód zasilający z dala od gorących powierzchni i otwartego ognia.
- Urządzenia można używać tylko wtedy, gdy jest podłączone do gniazda ściennego z uziemieniem.

**OSTRZEŻENIE:** Podłącz urządzenie do zasilania dopiero po całkowitym zakończeniu montażu.

# 1 Ważne instrukcje dotyczące bezpieczeństwa i ochrony środowiska

- Urządzenie ustaw tak, aby zawsze był możliwy dostęp do wtyczki.
- Nie należy dotykać lamp, jeśli były włączone przez długi czas. Grozi to poparzeniem dłoni gorącą żarówką.
- Należy stosować się do wymagań dotyczących odprowadzania powietrza wywiewanego (to ostrzeżenie nie dotyczy sytuacji korzystania z okapu bez przewodu spalinowego).
- Okap należy uruchamiać po ustawieniu garnka, patelni itp. na płycie grzewczej. W przeciwnym wypadku wysoka temperatura może doprowadzić do zniekształcenia niektórych części produktu.
- Okap należy wyłączać przed zdjęciem garnka, patelni itp. z płyty grzewczej.
- Nie pozostawiać rozgrzanego oleju na płycie grzewczej. Garnki z gorącym olejem mogą się zapalić samoczynnie.
- Należy uważać na zasłony i inne elementy osłaniające okna, ponieważ olej może zapalić się samoczynnie podczas smażenia np. frytek.
- Filtr tłuszczu należy wymieniać co najmniej raz w miesiącu. Filtr węglowy należy wymieniać co najmniej raz na 3 miesiące.
- Produkt należy czyścić zgodnie z instrukcją obsługi. Czyszczenie w sposób niezgodny z instrukcją obsługi może prowadzić do ryzyka pożaru.
- Zabrania się stosowania materiałów filtracyjnych nieodpornych na ogień zamiast właściwych filtrów.
- Należy stosować wyłączanie oryginalne lub zalecane przez producenta części zamienne.
- Nie uruchamiać produktu bez zamontowanego filtra ani nie wyjmować filtrów z



# 1 Ważne instrukcje dotyczące bezpieczeństwa i ochrony środowiska

pracującego okapu.

- W razie pojawienia się płomieni odłączyć produkt oraz urządzenia kuchenne od zasilania.
- W razie pojawienia się płomieni przykryć płomień i w żadnym wypadku nie gasić go wodą.
- Przed każdym czyszczeniem urządzenia i gdy nie jest ono używane należy wyjąć wtyczkę z gniazdka ściennego.
- Podciśnienie w otoczeniu nie może przekraczać 4 Pa ( $4 \times 10$  barów) przy równoczesnym działaniu okapu nad elektryczną płytą grzewczą i urządzeń AGD zasilanych elektrycznym prądem o innych parametrach.
- Jeśli w pomieszczeniu, w którym działa okap, są wykorzystywane urządzenia zasilane olejem opałowym lub gazem, jak np. ogrzewacze pomieszczeń, to wylot spalin z takich urzą-

dzeń musi być całkowicie odizolowany lub takie urządzenia muszą być hermetyczne.

- Jako przewody spalinowe należy stosować rury o średnicy 120 lub 150 mm. Rura łącząca musi być możliwie jak najkrótsza i mieć jak najmniej kolanek.
- **Niebezpieczeństwo zadławienia!** Wszystkie materiały opakowaniowe należy trzymać z dala od dzieci.

**OSTRZEŻENIE:** Jeśli jest to okap nad kuchnią, jego wystające części mogą się nagrzewać.

- Wylotu produktu nie wolno przyłączać do kanałów powietrznych, które odprowadzają inny dym.
- Wentylacja w pomieszczeniu może być niewystarczająca w przypadku równoczesnego korzystania z okapu nad elektryczną płytą grzewczą oraz urządzeń zasilanych gazem lub innymi pali-

# 1 Ważne instrukcje dotyczące bezpieczeństwa i ochrony środowiska

wami (niniejsze ostrzeżenie może nie dotyczyć urządzeń, które odprowadzają powietrze z powrotem do pomieszczenia).

- Przedmioty znajdujące się na produkcie mogą spaść. Nie stawiać żadnych przedmiotów na produkcie.
- Nie flambiować bezpośrednio nad urządzeniem.

**OSTRZEŻENIE:** Przed zamontowaniem okapu usunąć folię ochronną.

- Nie wolno pozostawiać otwartego ognia pod działającym okapem
- Frytkownice trzeba stale obserwować w trakcie użytkowania: przegrzany olej może zająć się płomieniem.

## 1.2 Zgodność z dyrektywą WEEE i pozbywanie się zużytych wyrobów:

Wyrób ten jest zgodny z dyrektywą Unii Europejskiej w sprawie zużytego sprzętu elektrycznego i elektronicznego (WEEE) (2012/19/UE). Wyrób opatrzony jest symbolem klasyfikacyjnym dla zużytego

sprzętu elektrycznego i elektronicznego (WEEE).



Symbol ten oznacza, że produkt nie należy utylizować z innymi domowymi śmieciami po zakończeniu okresu użytkowania. Zużyte urządzenie należy oddać do oficjalnego punktu odbioru zajmującego się recyklingiem urządzeń elektrycznych i elektronicznych. Aby odnaleźć tego typu miejsce, należy skontaktować się z lokalnymi władzami lub sprzedawcą, u którego zakupiono produkt. Każde gospodarstwo domowe odgrywa ważną rolę w odzyskiwaniu i recyklingu starych urządzeń. Odpowiednia utylizacja zużytego urządzenia pomaga zapobiegać potencjalnie negatywnym konsekwencjom dla środowiska i zdrowia ludzi.

## 1.3 Zgodność z dyrektywą RoHS

Zakupiony wyrób jest zgodny z dyrektywą RoHS Unii Europejskiej (2011/65/UE). Nie zawiera szkodliwych ani zakazanych materiałów wyszczególnionych w tej Dyrektywie.

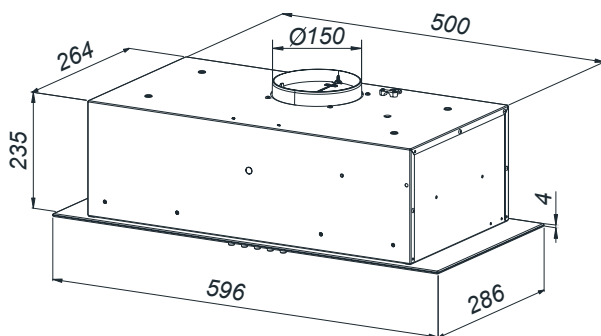
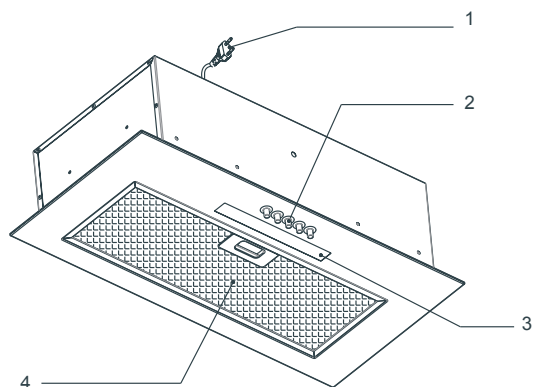
## 1.4 Informacje o opakowaniu



Materiały, w które opakowany jest produkt zostały wyprodukowane z surowców uzyskanych w procesie recyklingu zgodnie z krajowymi przepisami z zakresu ochrony środowiska. Nie należy utylizować materiałów opakowaniowych wraz z innymi odpadami domowymi. Należy oddać je w jednym z punktów zbiórki materiałów opakowaniowych wyznaczonych przez władze lokalne.

## 2 Ogólny wygląd

### 2.1 Omówienie



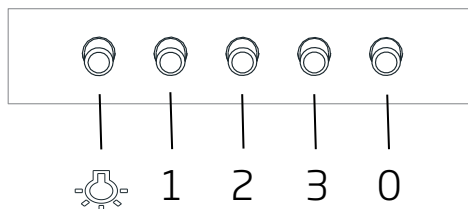
1. Kabel zasilający
2. Urządzenie sterujące
3. Podświetlenie
4. Aluminiowy filtr przeciwtłuszczowy

### 2.2 Dane techniczne


|   |                       |
|---|-----------------------|
| <b>Model</b>                              | HNU 61425 B           |
| <b>Napięcie i częstotliwość zasilania</b> | 220-240 V 50 Hz       |
| <b>Moc lampy</b>                          | 5 W                   |
| <b>Moc silnika</b>                        | 115 W                 |
| <b>Przepływ powietrza – 3. Poziom</b>     | 415 m <sup>3</sup> /h |
| <b>Klasa izolacji silnika</b>             | Klasa F               |
| <b>Klasa izolacji</b>                     | Klasa II              |

## 3 Korzystanie z produktu

### 3.1 Korzystanie przełącznika kołkowego



Okap wyposażony jest w urządzenie sterujące.


- Przycisk „0” - wyłącza okap.
- Przycisk „1” - okap pracuje z minimalną prędkością.
- Przycisk „2” - okap pracuje ze średnią prędkością.
- Przycisk „3” - okap pracuje z maksymalną prędkością.
- Naciśnij przycisk , aby włączyć oświetlenie. Naciśnij przycisk ponownie, aby wyłączyć oświetlenie.

### 3.2 Wydajność pracy pod względem energooszczędności Wykorzystanie

- Podczas korzystania z okapu dostosuj ustawienia prędkości do intensywności oparów i zapachu, aby oszczędzać energię.
- Używaj niskich prędkości (1-2) w normalnych warunkach i wysokich prędkości (3) przy silnym zapachu i intensywnych oparach.
- Lampy w okapie są umieszczone w celu oświetlenia kucharki.
- Wykorzystanie ich do oświetlenia otoczenia powoduje niepotrzebne wydatki na energię i zapewnia niewystarczające oświetlenie.

- Aby urządzenie zużywało mniej energii, należy je eksploatować z niską prędkością.
- Urządzenie będzie zużywać mniej energii, ponieważ będzie pracować wydajniej, gdy zapewnimy mu wystarczający dopływ powietrza.
- W przypadkach, w których wiadomo, że pojawi się gęsta para, należy ustawić urządzenie na poziom intensywnej siły ssania przed utworzeniem się pary. W ten sposób można zmniejszyć zużycie energii, używając urządzenia przez krótszy czas, ponieważ będzie ono miało wystarczający dopływ powietrza.
- Pokrywy garnków powinny być zamknięte, aby ograniczyć powstawanie pary.

### 3.3 Obsługa okapu

- Okap jest wyposażony w silnik z różnymi ustawieniami prędkości.
- Aby uzyskać lepszą wydajność, zalecamy stosowanie niskich prędkości w normalnych warunkach oraz wysokich, gdy zapach i opary są intensywniejsze.
- Możesz uruchomić urządzenie, naciśkając przycisk żądanego ustawienia prędkości.(1,2,3)
- Możesz podświetlić powierzchnię gotowania naciskając przycisk oświetlenia.()

### 3.4 Wymiana lampy

W produkcie zastosowano pasek LED 5 W. Przed przystąpieniem do jakichkolwiek zasilanie.urządzenie od zasilania.

W przypadku okapu z panelem LED wymianę źródła światła należy powierzyć osobie posiadającej odpowiednie uprawnienia (np. elektrykowi) lub zgłosić uster-

## 3 Korzystanie z produktu


kę w autoryzowanym serwisie.



- Przed wymianą żarówek odłącz okap od zasilania.
- Nie dotykaj gorących żarówek.
- Uważaj, aby nie dotknąć wymienionej żarówki bezpośrednio rękami.

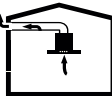


Należy zamawiać lampy od autoryzowanych przedstawicieli serwisowych.

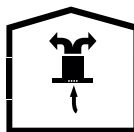
|  |   |
|--|---|
| <b>Żarówka</b>                         |  |
| <b>Moc żarówki</b>                     | 5 W   |
| <b>Uchwyt/gniazdo</b>                  | NS39-G2   |
| <b>Napięcie żarówki</b>                | 220 – 240 W   |
| <b>Wymiary</b>                         | 300 x 26 mm   |
| <b>Strumień świetlny</b>               | 420 lm  |
| <b>Skorelowana temperatura barwowa</b> | 3800 K  |

Ten produkt zawiera źródło światła o klasie efektywności energetycznej "F".

### 3.5 Praca z odprowadzaniem spalin

-  Opary są odprowadzane przez kanał spalinowy, który jest przymocowany do głowicy przyłączeniowej na okapie.
- Średnica kanału spalinowego musi być taka sama jak pierścienia przyłączeniowego. W ustawieniach poziomych rura musi mieć niewielkie nachylenie do góry (około 10°), aby powietrze mogło łatwo opuścić pomieszczenie.

### 3.6 Praca bez odprowadzania spalin



- Powietrze jest filtrowane przez filtr węglowy i recyrkulowane w pomieszczeniu. Filtr węglowy stosuje się, gdy nie można skorzystać z przewodu kominowego w domu.
- W przypadku zastosowania bez odprowadzania spalin, usuń kłapy wewnątrz adaptera do przewodu kominowego.
- Wymij filtr olejowy. Aby zainstalować filtr węglowy, dopasuj filtr do wypustek, wyśrodkowując go na plastikowym elemencie po obu stronach korpusu wentylatora. Dokręć, obracając w prawo lub w lewo.
- Wymień aluminiowy filtr olejowy.

## 4 Czyszczenie i konserwacja

Urządzenie należy regularnie czyścić i konserwować. Nieutrzymywanie urządzenia w czystości będzie miało negatywny wpływ na jego żywotność. Podczas czyszczenia i konserwacji należy postępować zgodnie z instrukcjami podanymi w instrukcji.



Przed czyszczeniem i konserwacją należy odłączyć urządzenie od zasilania lub wyłączyć główny wyłącznik lub poluzować bezpiecznik zasilający okap.



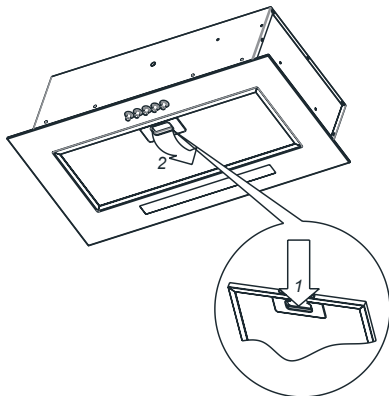
Nieprzestrzeganie zaleceń związanych z czyszczeniem urządzenia i wymianą filtrów może spowodować ryzyko pożaru. Dlatego zaleca się przestrzeganie podanych tu wskazówek. Producent nie ponosi odpowiedzialności za uszkodzenia silnika lub pożary powstałe w wyniku niewłaściwego użytkowania.

Czyścić tylko szmatką zwilżoną neutralnym detergentem. Nie czyść za pomocą narzędzi lub instrumentów. Nie używaj produktów ściernych. Nie używaj alkoholu

### 4.1 Czyszczenie aluminiowego filtra przeciwtłuszczowego

Ten filtr zatrzymuje cząsteczki oleju w powietrzu. Zaleca się czyszczenie filtra co miesiąc przy normalnych warunkach użytkowania. Najpierw wyjmij potrzebne filtry przeciwtłuszczowe. Umyj filtry płynnym detergentem i wypłucz je wodą, a po wyschnięciu zainstaluj z powrotem.

Aluminiowe filtry przeciwtłuszczowe mogą się odkleić podczas mycia; to normalne i nie musisz zmieniać filtra.



Filtr przeciwtłuszczowy można myć w zmywarce



**UWAGA:** W przypadku normalnego użytkowania wyczyść filtr raz na miesiąc.

### 4.2 Wymiana filtra węglowego (tryb cyrkulacji powietrza)

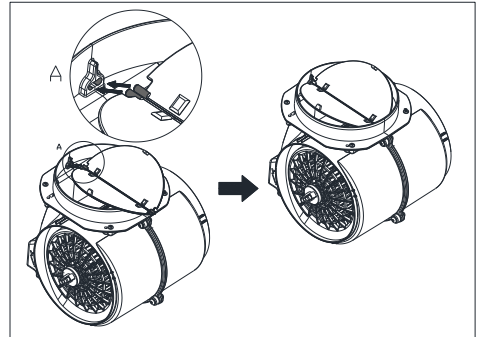
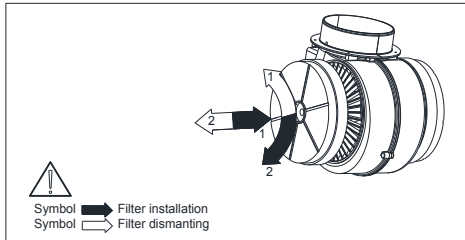
Okap może być wyposażony w filtr z węglem aktywnym. Filtr węglowy jest stosowany tylko w przypadku, gdy okap nie jest podłączony do kanału wentylacyjnego.



#### OSTRZEŻENIE

- Filtru węglowego się nie myje.
- W każdym razie konieczna jest wymiana filtra węglowego co najmniej co 3 miesiące.
- Filtr węglowy jest dostępny w autoryzowanych serwisach.

## 4 Czyszczenie i konserwacja



## 5 Konfiguracja urządzenia



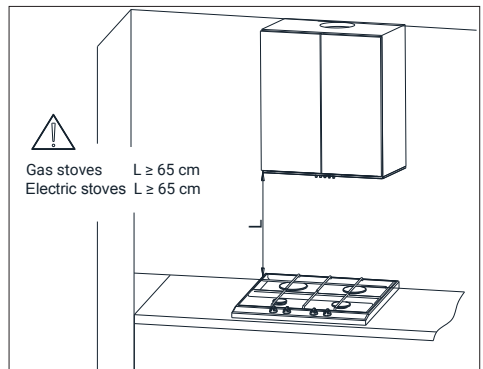
**OSTRZEŻENIE:** Przed ustawieniem przeczytaj instrukcję bezpieczeństwa.



**O S T R Z E Ż E N I E :**  
Niezainstalowanie śrub lub elementu mocującego zgodnie z niniejszą instrukcją może spowodować zagrożenie elektryczne.

Aby zainstalować okap, skontaktuj się z najbliższym autoryzowanym serwisem.

Obowiązkiem klienta jest przygotowanie lokalizacji i instalacji elektrycznej okapu.

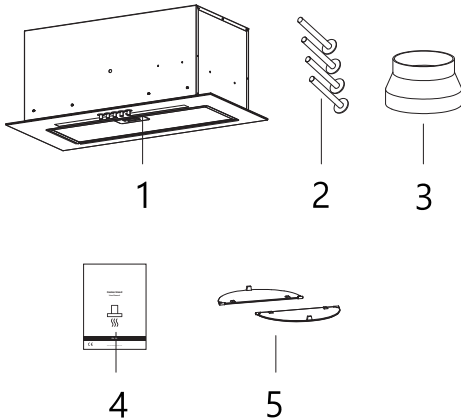


### 5.1 Pozycja urządzenia

- Przed montażem należy wziąć pod uwagę odległość między kuchenką a okapem kuchennym. Odległość ta powinna wynosić 65cm.
- W przypadku kuchenek gazowych odległość należy zmierzyć od powierzchni rusztu, lub od szklanej powierzchni kuchenek elektrycznych.

# 5 Konfiguracja urządzenia

## 5.2 Akcesoria instalacyjne

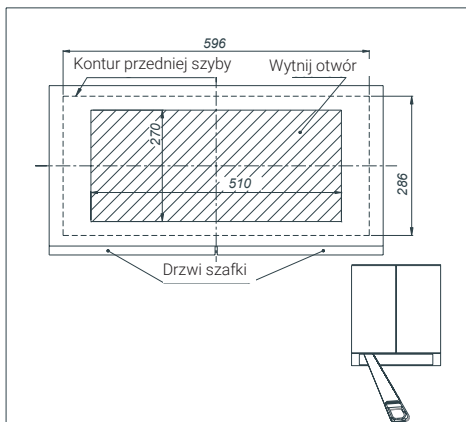


1. Okap
2. Śruba 4x5x35 mm
3. Łącznik z tworzywa sztucznego  $\varnothing 150/\varnothing 120$
4. Instrukcja obsługi
5. Klapy dmuchawy

## 5.3 Montaż urządzenia

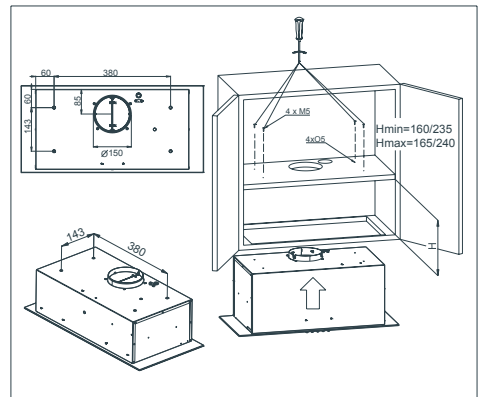
1. Przygotuj obudowę pod montaż okapu, wycnij otwór na dnie obudowy zgodnie z rysunkiem.

Przygotowanie szafki



2. Wyjmij filtry przeciwtłuszczowe.
3. Ostrożnie włóż okap do wyciętego wcześniej otworu, przytrzymaj okap jedną ręką lub poproś kogoś o pomoc. Wkręć śruby/wkręty wybierając jeden z wariantów mocowania a - mocowanie do górnej części szafki, b - mocowanie z boku szafki.

Montaż okapu - wersja montażu od góry

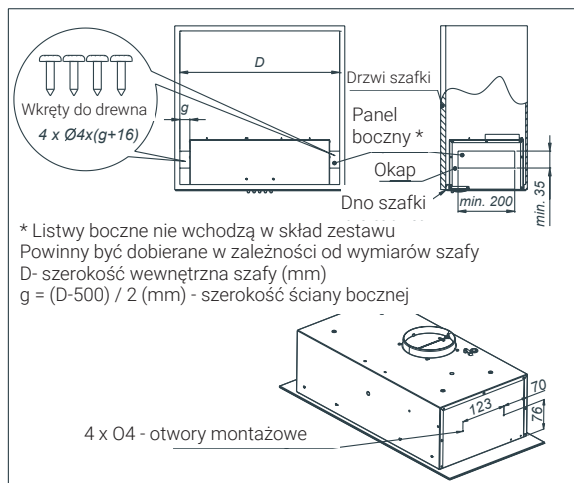


4. Przy zamocowaniu okapu do góry szafki należy przygotować otwory w półce szafki zgodnie z wymiarami pokazanymi na rysunku. W przypadku wyboru wariantu z mocowaniem bocznym, listwy boczne należy przygotować zgodnie z opisem.



## 5 Konfiguracja urządzenia

Montaż okapu - wersja montażu bocznego



\* Listwy boczne nie wchodzą w skład zestawu. Powinny być dobierane w zależności od wymiarów szafy.  
D - szerokość wewnętrzna szafy (mm)  
 $g = (D - 500) / 2$  (mm) - szerokość ściany bocznej

### 5.4 Podłączenie do prądu

Napięcie sieciowe powinno odpowiadać napięciu wskazanemu na tabliczce znamionowej znajdującej się wewnątrz okapu. Jeżeli okap wyposażony jest we wtyczkę należy włożyć ją do gniazdka spełniającego obowiązujące wymagania i znajdującego się w łatwo dostępnym miejscu. Jeżeli okap nie jest wyposażony we wtyczkę, montaż okapu powinna wykonać osoba posiadająca wymagane uprawnienia (np. elektryk).

### 5.5 Przechowywanie

- Jeśli urządzenie nie będzie używane przez dłuższy czas, należy je starannie przechowywać.
- Przed podniesieniem urządzenia odłącz je od zasilania i pozwól całkowicie ostygnąć.
- Przechowuj urządzenie i jego akcesoria w ich oryginalnych opakowaniach.

- Urządzenie należy przechowywać w chłodnym, suchym miejscu.
- Urządzenie należy trzymać poza zasięgiem dzieci.

### 5.6 Przenoszenie i transport

- Urządzenie należy przetransportować w oryginalnym opakowaniu. Zabezpiecz ono urządzenie przed fizycznymi uszkodzeniami.
- Nie wolno umieszczać ciężkich ładunków na urządzeniu lub opakowaniu. Może to spowodować uszkodzenie urządzenia.
- Upuszczenie urządzenia może spowodować jego awarię lub trwałe uszkodzenie.

## 6 Rozwiązywanie problemów

| Rozwiązywanie problemów     | Problem                         | Pomoc   |
|-----------------------------|---------------------------------|---|
| Produkt nie działa.         | Sprawdź bezpiecznik.            | Bezpiecznik może być zablokowany, napraw to.  |
| Produkt nie działa.         | Sprawdź połączenie elektryczne. | Napięcie sieciowe powinno wynosić między 220-240 V.   |
| Produkt nie działa.         | Sprawdź połączenie elektryczne. | Sprawdź, czy inne przedmioty w Twojej kuchni działają, czy nie.   |
| Oświetlenie nie działa.     | Sprawdź połączenie elektryczne. | Napięcie sieciowe powinno wynosić między 220-240 V.   |
| Oświetlenie nie działa.     | Sprawdź włącznik oświetlenia.   | Powinien się znajdować w pozycji „ON”   |
| Oświetlenie nie działa.     | Sprawdź lampy.                  | Lampy nie powinny być uszkodzone.   |
| Pobór powietrza jest słaby. | Sprawdź filtr przeciwłuszczowy. | Aluminiowy filtr przeciwłuszczowy należy czyścić co najmniej raz w miesiącu przy normalnym użytkowaniu. |
| Pobór powietrza jest słaby. | Sprawdź kanał wentylacyjny.     | Powinien się znajdować w pozycji „ON”   |
| Pobór powietrza jest słaby. | Sprawdź filtr węglowy.          | W przypadku produktów z filtrami węglowymi filtr należy wymieniać co 3 miesiące.                        |

Drodzy Klienci,

Dziękujemy za zakup naszych produktów. Jesteśmy przekonani, że nasze urządzenia będą służyć przez lata. Każdy produkt firmy Beko jest objęty 2-letnim okresem gwarancji.

Warunki gwarancji Beko S.A- (małe urządzenia AGD)

BEKO spółka akcyjna z siedzibą w Warszawie (02-819), przy ulicy Puławskiej 366, wpisana do rejestru przedsiębiorców prowadzonego przez Sąd Rejonowy dla m.st. Warszawy w Warszawie, XIII Wydział Gospodarczy Krajowego Rejestru Sądowego, pod numerem: 0000078147 (dalej: „BEKO”) udziela gwarancji jakości (dalej: „Gwarancja”) na wprowadzone przez BEKO do obrotu na terenie Polski produkty marki BEKO (dalej: „Urządzenia”) osobom, które nabyły te produkty („Użytkownik”) na następujących warunkach:

### **I. ZAKRES OCHRONY.**

BEKO gwarantuje, że Urządzenie zakupione przez Użytkownika jest wolne od wad produkcyjnych lub materiałowych, powstałych z przyczyn tkwiących w tym Urządzeniu (dalej: „Wada”), które ujawnią się w ciągu terminu określonego w części II. niniejszych Warunków Gwarancji (dalej: „Okres Gwarancyjny”).

W razie ujawnienia się Wady Produktu w trakcie Okresu Gwarancyjnego, zostanie ona usunięta na koszt BEKO w sposób uzależniony od właściwości wady, na zasadach i w zakresie określonym w niniejszych Warunkach Gwarancji.

BEKO zobowiązuje się do usunięcia Wady poprzez dokonanie nieodpłatnej naprawy lub wymiany Urządzenia, bądź też reklamacja zgłoszona na podstawie niniejszych Warunków Gwarancji zostanie rozpoznana w inny sposób uzgodniony przez BEKO i Użytkownika.

Udzielona gwarancja jest ważna na terytorium Rzeczypospolitej Polskiej.

### **II. CZAS TRWANIA GWARANCJI.**

Okres Gwarancyjny wynosi 24 miesiące licząc od daty zakupu Urządzenia przez pierwszego Użytkownika.

### **III. PROCEDURA ZGŁOSZENIA REKLAMACYJNEGO.**

Wady Urządzenia ujawnione w Okresie Gwarancyjnym będą usuwane pod warunkiem przedstawienia przez Użytkownika dowodu zakupu tego Urządzenia zawierającego oznaczenia niezbędne do jego identyfikacji (model, datę zakupu).

Uprawnienia wynikające z niniejszych Warunków Gwarancji mogą być zrealizowane przez Użytkownika wyłącznie w Autoryzowanych Punktach Serwisowych BEKO (dalej: „Serwis”) po uprzednim dokonaniu zgłoszenia na Infolinii BEKO pod numerem telefonu: 222501414. Urządzenie powinno być odpowiednio zapakowane i zabezpieczone przez Użytkownika na czas transportu do punktu serwisowego Beko.

Wady Urządzenia będą usunięte w terminie 14 dni od daty zgłoszenia Wady na Infolinii BEKO.

Jeżeli część zamienna wymieniana w ramach uprawnień wynikających z niniejszych Warunków Gwarancji Urządzenia jest sprowadzana z zagranicy, termin naprawy, o którym

mowa w punkcie 5 powyżej, może ulec wydłużeniu jednak, nie więcej niż do 30 dni licząc odpowiednio od daty zgłoszenia Wady na Infolinii BEKO. Informacje o spodziewanych terminach napraw dostępne są na Infolinii BEKO pod numerem 222501414. Po usunięciu Wady, Urządzenie zostanie dostarczone Użytkownikowi na koszt BEKO.

#### **IV. WYŁĄCZENIA.**

Warunkiem skorzystania z niniejszych Warunków Gwarancji jest:

użytkowanie Urządzenia zgodnie z Instrukcją Obsługi dołączoną do tego Urządzenia i jego przeznaczeniem, jak również odpowiednie czyszczenie i konserwację Urządzenia;

użytkowanie w warunkach indywidualnego gospodarstwa domowego. Urządzenie nie jest używane do celów prowadzenia działalności gospodarczej lub w zastosowaniach eksploatacji masowej, w szczególności w gastronomicznej działalności hoteli, restauracji i innych obiektów turystyczno-rekreacyjnych lub zbiorowego żywienia. stosowanie osprzętu zalecanego przez producenta; brak ingerencji w Urządzenie przez osoby do tego nieupoważnione; brak ingerencji w tabliczkę znamionową z numerem seryjnym Urządzenia. Udzielona przez Beko Gwarancja nie obejmuje:

wad powstałych z przyczyn innych niż tkwiące w Urządzeniu;

normalnego zużycia elementów eksploatacyjnych tj. akumulatory, baterie, noże, filtry, żarówki, szczotki, itp.;

czynności przewidzianych w Instrukcji Obsługi, do wykonania których zobowiązany jest Użytkownik Urządzenia we własnym zakresie i na swój koszt, w tym: instruktażu dotyczącego obsługi Urządzenia, instalacji oraz regulacji urządzenia.

usterek powstałych w wyniku nieprawidłowego lub niewłaściwego użytkowania, niedbalstwa, przypadkowego uszkodzenia Urządzenia, nieodpowiedniego napięcia prądu lub dokonania jakichkolwiek zmian, które mają wpływ na niewłaściwe działanie Urządzenia, i które naprawiane były przez osoby nieupoważnione, używania instalacji niezgodnych z odpowiednimi Polskimi Normami i innych niż wymienione w Instrukcji Obsługi Urządzenia;

uszkodzeń mechanicznych, termicznych, chemicznych, korozji, innych uszkodzeń spowodowanych działaniem lub zaniedbaniem Użytkownika lub powstałych na skutek działania sił zewnętrznych (do których zalicza się w szczególności wyładowania atmosferyczne, skoki napięcia, wszystkiego rodzaju awarie domowej instalacji wodno-kanalizacyjnej, itp.), a także powstałych na skutek przedostania się zanieczyszczeń lub ciał obcych do Urządzenia, zakamienienia (proces odkamieniania musi być przeprowadzany zgodnie z instrukcją obsługi z użyciem odpowiednich środków czyszczących) elementów ze szkła, plastiku oraz porcelany; odbarwień Urządzenia lub poszczególnych jego części;

usterek powstałych na skutek przechowywania i użytkowania Urządzenia w warunkach, które są niezgodne z normalnymi warunkami domowymi określonymi wymaganiami powszechnie obowiązujących przepisów prawa i odpowiednich Polskich Norm;

#### **V. POZOSTAŁE POSTANOWIENIA.**

Niniejsze warunki gwarancji mają zastosowanie do Urządzeń zakupionych od dnia 01.03.2019 r. Gwarant oświadcza, że niniejsza Gwarancja jest udzielana Użytkownikowi dodatkowo i nie wyłącza, nie ogranicza ani nie zawiesza uprawnień Użytkownika wynikających z przepisów o rękojmi za wady rzeczy sprzedanej na podstawie Kodeksu cywilnego.

# Lugege esmalt seda kasutusjuhendit.

Hea klient!

Täname, et valisite Beko seadme. Loodetavasti saate parimad tulemused, kuna see toode on valmistatud väga kvaliteetselt ja uusima tehnoloogiaga. Selleks tutvuge enne toote kasutamist hoolikalt kasutusjuhendi ja kõigi kaasasolevate dokumentidega ning hoidke need tuleviku tarbeks alles. Kui annate toote üle kellelegi teisele, andke kaasa ka kasutusjuhend. Järgige kõiki juhiseid, pöörates tähelepanu kasutusjuhendis toodud teabele ja kõikidele hoiatustele.

Pidage meeles, et see kasutusjuhend võib kehtida ka teiste mudelite kohta. Mudelitevahelisi erinevusi on kasutusjuhendis selgelt kirjeldatud.

## Sümbolite tähendused

Selle kasutusjuhendi erinevates jaotistes kasutatakse järgmisi sümboleid.



Oluline teave ja kasulikud nõuanded kasutamisel



**HOIATUS!** Hoiatused elule ja varale ohtlike olukordade kohta



Hoiatus tulekahjuuhu kohta



Hoiatus elektrilöögi kohta



# 1 Olulised ohutus- ja keskkonnaalased juhised

## 1.1 Üldine ohutus

Olulised ohutusjuhised  
Lugege juhised hoolikalt läbi ja hoidke hilisemaks kasutamiseks alles

See jaotis sisaldab ohutusjuhiseid, mis aitavad teil vältida tuleohtu, elektrilööke, kokkupuutumist lekkinud mikrolaineenergiaga, kehavigastusi ja varalist kahju. Nende juhiste eiramisel garantii tühistatakse.

- Beko tooted vastavad kehivatele ohutusstandarditele, seepärast tuleb ohu vältimiseks lasta edasimüüjal, teeninduskeskusel, spetsialistil või volitatud hoolduskeskusel seade alati parandada või välja vahetada, kui seadmel või selle toitejuhtmel on kahjustusi. Puudulikud või oskamatud parandustööd võivad olla ohtlikud ja põhjustada kasutajale ohtu.
- Seade on mõeldud kasutamiseks kodumajapidamistes ja järgmistes

sarnastes kohtades, nt:

- töötajate köögid poodides, kontorites ja teistes töökohtades;
  - maamajapidamised;
  - klientidele hotellides ja teistes majutusasutustes;
  - hommikusöögiga ööbimiskohtades.
- Kasutage seadet ainult ettenähtud eesmärkidel ja selle juhendi kohaselt.
  - Tootja ei vastuta väärast paigaldamisest või toote valest kasutamisest tingitud kahju eest.
  - Seda seadet tohivad kasutada vähemalt 8-aastased lapsed ning piiratud füüsiliste, sensorsete või vaimsete võimetega või kogemuste ja teadmisteta isikud, kui neid on juhendatud seadet ohutult kasutama või nad teevad seda järelevalve all ja mõistavad seadme kasutamise seotud ohte.
  - Lapsed ei tohi seadmega

# 1 Olulised ohutus- ja keskkonnaalased juhised

mängida. Lapsed ei tohi seadet puhastada ja hooldada ilma järelevalveta.

- Minimaalne kaugus keedualal olevate keedunõude restide ja õhupuhasti madalaima osa vahel peab olema vähemalt 65 cm.
- Kui gaasipliidi paigaldamise juhistes on märgitud ülalnimetatust suurem vahekaugus, tuleb seda arvesse võtta.
- Veenduge, et teie toitealikes vastaks seadme andmesildil toodud andmete.
- Ärge kasutage seadet, kui toitejuhe või seade on kahjustatud.
- Toitejuhtme kahjustumise vältimiseks hoiduge selle pigistamisest, murdmisest või hõõrumisest vastu teravaid servi. Hoidke toitejuhe eemal kuumadest pindadest ja lahtisest tulest.
- Kasutage seadet ainult koos maandatud pistiku-

pesaga.

**HOIATUS!** Ärge ühendage seadet toitevõrku enne, kui paigaldus on täielikult lõpetatud.

- Paigutage seade nii, et pistikule oleks alati võimalik ligi pääseda.
- Ärge puudutage lampe, kui need on pikemat aega põlenud. Võite oma käsi põletada, sest lambid on kuumad.
- Järgige pädevate asutuste eeskirju õhu väljatõmbe kohta (see hoiatus ei kehti ilma lõõrita kasutamise korral).
- Lülitage seade tööle kohe pärast poti, panni jms asetamist pliidile. Muidu võivad seadme osad kuumuse tõttu deformeeruda.
- Enne poti, panni vms võtmist pliidilt lülitage see välja.
- Ärge jätke kuuma õli pliidile. Kuuma õliga pannid võivad süttida.
- Pöörake tähelepanu kar-

# 1 Olulised ohutus- ja keskkonnaalased juhised

dinatele ja katetele, sest näiteks friikartulite valmistamisel võib õli põlema minna.

- Rasvafiltrit tuleb vahetada vähemalt kord kuus. Sööfiltrit tuleb vahetada vähemalt kord kolme kuu jooksul.
- Toodet tuleb puhastada kasutusjuhendi kohaselt. Kui seadet ei puhastata kasutusjuhendi kohaselt, tekib süttimisoht.
- Ärge kasutage originaalfiltri asemel materjale, mis ei ole tulekindlad.
- Kasutage ainult originaal- või valmistaja soovitatud osi.
- Ärge kasutage toodet ilma filtrita ja ärge eemaldage filtreid, kui toode töötab.
- Tule süttimise korral katkestage toote ja küpsetus-seadme toide.
- Tule süttimise korral katke leek, aga ärge mingil juhul kasutage kustutamiseks vett.

- Enne igat puhastamist ja ajal, kui seadet ei kasutata, eemaldage toitejuhe vooluvõrgust.

- Negatiivne surve keskkonnas ei tohi ületada 4 Pa (4 × 10 baari), kui kasutate ühel ajal elektripliidi õhupuhastit ja seadmeid, millel on muu toiteallikas kui elekter.

- Seadme kasutuskeskkonnas peab õli- või gaasiseadmete, nagu ruumi soojendi väljatõmme olema täielikult isoleeritud või seade peab olema hermeetilist tüüpi.

- Kasutage lõõri ühendamiseks 120–150 mm läbimõõduga torusid. Toruühendus peab olema võimalikult lühike ja sellel peab olema minimaalselt torupõlvi.

**Lämbumisoht!** Hoidke pakematerjalid väljaspool laste käeulatus.



# 1 Olulised ohutus- ja keskkonnaalased juhised

**ETTEVAATUST!** Seadme liigipääsetavad osad võivad koos küpsetusseadmetega kasutamisel kuumeneda.

- Toote äratõmmet ei tohi ühendada õhukanalitega, milles on suitsu.
- Tagage ruumi piisav ventilatsioon, kui elektripliidi õhupuhastit kasutatakse koos seadmetega, mis kasutavad gaasi või muid kütuseid (see ei kehti seadmete kohta, mis tõmbavad ainult õhku ruumi tagasi).
- Tootele asetatud esemed võivad kukkuda. Ärge asetage tootele esemeid.
- Ärge flambeerige toote all.

**HOIATUS!** Enne õhupuhasti paigaldamist eemaldage kaitsekiled.

- Töötava õhupuhasti all ei tohi kunagi olla lahtist kõrget leeki.
- Fritüüre tuleb küpsetamise ajal pidevalt jälgida: ülekuumenenud õli võib leegiga põlema süttida.

## 1.2 WEEE-direktiivi täitmine ja kasutuskõlbmatute toodete kõrvaldamine

Toode vastab Euroopa Liidu elektri- ja elektroonikaseadmete jäätmete (WEEE) direktiivile (2012/19/EU). Sellel tootel on klassifitseerimise sümbol elektri- ja elektroonikaseadmete (WEEE) kohta.



See sümbol näitab, et seda toodet ei tohi pärast kasutusea lõppu kõrvaldada koos muu olmeprügiga. Kasutatud seade tuleb saata elektri- ja elektroonikaseadmete ametlikku kogumispunkti. Selliste kogumissüsteemide leidmiseks pöörduge kohaliku omavalitsuse või toote müünud jaemüüja poole. Igal majapidamisel on oluline osa vana seadme taastamisel ja ringlusse andmisel. Kasutatud seadme korrektne käitlemine aitab ära hoida negatiivseid tagajärgi keskkonnale ja tervisele.

## 1.3 Vastavus RoHS-direktiivile

Toode vastab Euroopa Liidu RoHS-direktiivile (2011/65/EL). See ei sisalda direktiivis mainitud kahjulikke ja keelatud materjale.

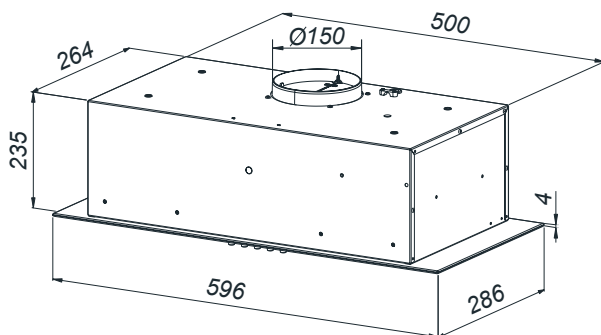
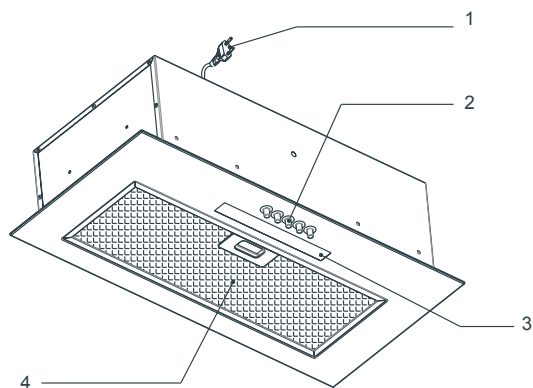
## 1.4 Teave pakendi kohta



Toote pakkematerjalid on valmistatud ringlusse võetavatest materjalidest riiklike keskkonnanäeskirjade kohaselt. Ärge visake pakkematerjale tavalise olmeprügi või muude jäätmete hulka. Viige need kohaliku omavalitsuse määratud pakendikogumispunkti.

## 2 Üldilme

### 2.1 Ülevaade



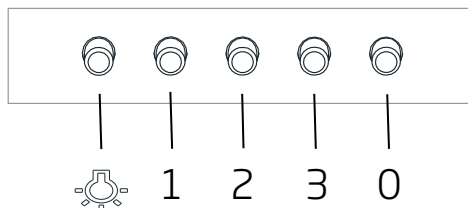
1. Toitejuhe
2. Mehaaniline juhtseadis
3. Valgustus
4. Alumiiniumist rasvafilter

### 2.2 Tehnilised andmed


|                                  |                       |
|----------------------------------|-----------------------|
| <b>Mudel</b>                     | HNU 61425 B           |
| <b>Toitepinge ja -sagedus</b>    | 220-240 V 50 Hz       |
| <b>Pirni võimsus</b>             | 5 W                   |
| <b>Mootorivõimsus</b>            | 115 W                 |
| <b>Õhuvool – 3. aste</b>         | 415 m <sup>3</sup> /h |
| <b>Mootori isolatsiooniklass</b> | Klass F               |
| <b>Isolatsiooniklass</b>         | Klass II              |

## 3 Seadme kasutamine

### 3.1 Kiiklüliti kasutamine



Õhupuhasti on varustatud mehaanilise juhtseadisega.

- Nupu „0” vajutamisel lülitatakse õhupuhasti välja.
- Nupu „1” vajutamisel käivitatakse õhupuhasti minimaalse kiirusega sisse.
- Nupu „2” vajutamisel käivitatakse õhupuhasti keskmise kiirusega sisse.
- Nupu „3” vajutamisel käivitatakse õhupuhasti maksimaalse kiirusega sisse.
- Valgustuse sisselülitamiseks vajutage nuppu . Valgustuse välja lülitamiseks vajutage nuppu uuesti.


### 3.2 Energiatõhus kasutamine:

- Õhupuhasti käsitsemisel reguleerige kiiruse astet vastavalt lõhna tugevusele ja auru kogusele, et vältida tarbetut energiatarvet.
- Normaalses oludes madalat kiirust (2–1) ja suurt kiirust (3) lõhna tugevuse ja auru koguse suurendamiseks.
- Õhupuhastisse paigaldatud valgustid on mõeldud toiduvalmistamise ala valgustamiseks.
- Nende kasutamine keskkonna/köögi valgustamiseks põhjustab tarbetut energiatarvet ja ebapiisavat valgustust.
- Et seade tarbiks vähem energiat, käivitage see madalal kiirusel.
- Teie seade vähendab energiatarbimist, kuna see töötab tõhusamalt, kui tagate

sellele piisava õhu sisselaskeava.

- Seadke seade intensiivsele imemisvõimsusele enne auru teket juhtudel, kui te teate, et tekib tihe aur. Seega vähendate energiatarbimist, kui kasutate seadet lühemat aega, kuna sellel on piisav õhu sisselaskeava.
- Hoidke keedunõude kaaned suletuna, et vähendada auru teket.

### 3.3 Õhupuhasti käsitsemine

- Õhupuhasti on varustatud erinevate kiiruseseadetega mootoriga.
- Parima jõudluse huvides soovitame tavatingimustes kasutada väiksemaid kiirusi ja eriti tugevate toidulõhnade ja auru eemaldamiseks suuremaid kiirusi.
- Õhupuhasti käivitamiseks vajutage soovitud kiiruse taseme klahvi. (1,2,3)
- Toiduvalmistamisala valgustamiseks vajutage valgusklahvi. ()

### 3.4 Valgusti väljavahetamine

Tootes kasutatakse 5 W. Enne valguse asendamisega seotud tööde alustamist lülitage vool välja.

LED-paneeliga kapuutsi puhul tuleks valgusallika väljavahetamine usaldada nõuetekohaselt litsentseeritud isikule (nt elektrikule) või teatada veast volitatud teeninduskeskusele.

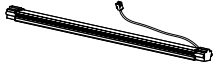


- Enne elektripirnide väljavahetamist ühendage õhupuhasti toiteallikas lahti.
- Ärge puudutage elektripirne, kui need on kuumad.
- Ärge puudutage väljavahtatud elektripirni otse kätega.

## 3 Seadme kasutamine

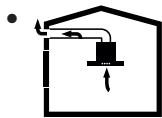


Võite hankida lampe volitatud teenusepakkujalt.

|                         |   |
|-------------------------|---|
| Lamp                    |  |
| Võimsus                 | 5 W   |
| Pistikupesa             | NS39-G2   |
| Pinge                   | 220 – 240 W   |
| Mõõde                   | 300 x 26 mm   |
| Valgusvoog              | 420 lm  |
| Lähim värvustemperatuur | 3800 K  |

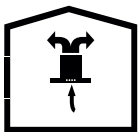
See toode sisaldab valgusallikat energiatõhususe klassiga F.

### 3.5 Kasutamine lõõriühendusega



- Auru eemaldatakse suitsutoru kaudu, mis kinnitatakse õhupuhasti ühenduspea külge.
- Suitsutoru läbimõõt peaks olema võrdne ühendusrõnga läbimõõduga. Õhu horisontaalse paigutuse korral ruumist välja viimiseks tuleks toru veidi ülespoole kallutada (umbes 10°).

### 3.6 Kasutamine ilma lõõriühenduseta



- Õhku filtreeritakse söefiltri abil ja suunatakse tagasi tuppa. Söefiltrit kasutatakse siis, kui majas pole lõõri.
- Kui õhupuhastit kasutatakse ilma lõõriühenduseta, eemaldage suitsutoru sisemised suunajad.
- Eemaldage alumiiniumfilter. Söefiltri

paigaldamiseks tsentreerige söefilter ventilaatori korpuse mõlemal küljel asuvatele plastosadele ja kinnitage see sakkide külge. Kinnitage filter, keerates sakte paremale või vasakule.

- Paigaldage alumiiniumifilter.

## 4 Puhastamine ja hooldus

Seadet tuleb regulaarselt puhastada ja hooldada. Seadme mustana hoidmine mõjutab negatiivselt seadme kasutusiga. Puhastamiseks ja hooldamiseks järgige juhendis toodud juhiseid.



Enne puhastamist ja hooldust võtke seade pistikupesast välja või lülitage välja pealüliti või lülitage välja automaat, mis annab õhupuhasstile voolu.

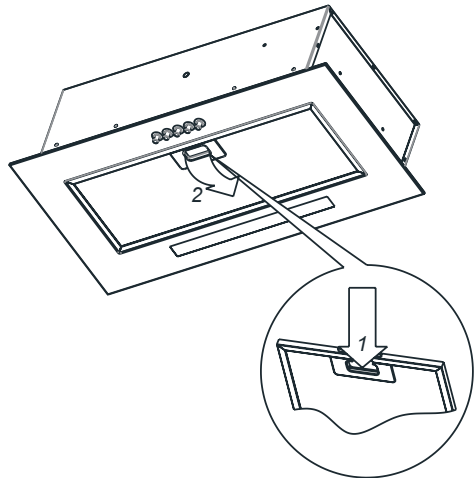


Seadme puhastamise ja filtrite vahetamisega seotud sätete eiramine võib põhjustada tulekahju. Seetõttu on soovitatav järgida siin toodud juhiseid. Tootja ei vastuta vales kasutamisest tulenevate mootorikahjustuste või tulekahjude eest.

Puhastage ainult neutraalse vedela puhastusvahendiga niisutatud lapiga. Ärge puhastage tööriistade abil. Ärge kasutage abrasiivseid vahendeid. Ärge kasutage alkoholi.

### 4.1 Alumiiniumist rasvafiltri puhastamine

See filter hõivab õhus olevaid õliosakesi. Filtrit soovitatakse tavatingimustes puhastada kord kuus. Esmalt eemaldage selleks rasvafiltrid. Peske filtrid vedela puhastusvahendiga, loputage need veega ja paigaldage tagasi pärast kuivatamist. Alumiiniumist rasvafiltrite värvus võib pesemisel muutuda; see on normaalne ja te ei pea filtrit vahetama.



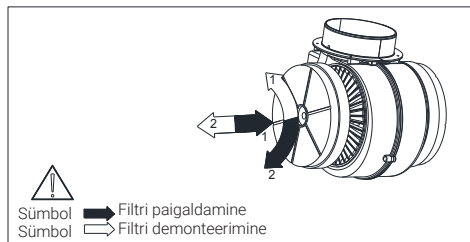
Alumiiniumist filtreid saab pesta nõudepesumasinas.



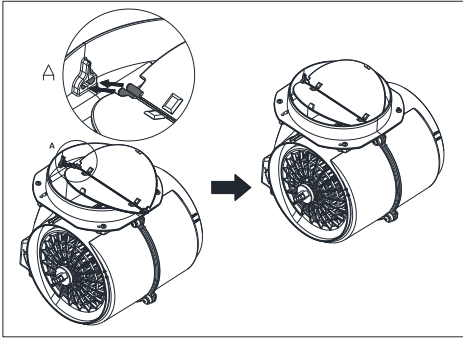
**ETTEVAATUST:** Tavakasutuse korral puhastage filtrit kord kuus.

### 4.2 Söefiltri väljavahetamine (õhuringluse režiim)

Õhupuhasstile saab paigaldada aktiivsöefiltri. Söefiltrit rakendatakse ainult juhul, kui õhupuhassti pole ventilatsioonikanaliga ühendatud.



## 4 Puhastamine ja hooldus



### HOIATUS:

- Söefiltrit ei tohi kunagi pesta.
- Igal juhul on vaja söefiltrit vahetada vähemalt iga kolme kuu tagant.
- Söefilter on saadaval volitatud teenindustes.

## 5 Seadme sätestamine



**HOIATUS :** Enne sätestamist palun lugege läbi ohutusjuhised.



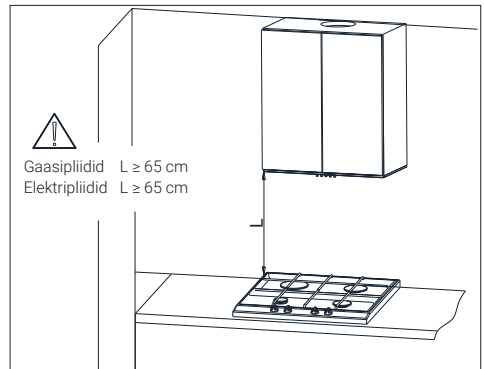
**HOIATUS :** Kruvide või kinnituseadme paigaldamata jätmine vastavalt nende juhistele võib põhjustada elektriõhtusid.

Õhupuhasti paigaldamiseks võtke ühendust lähima volitatud teenindusega.

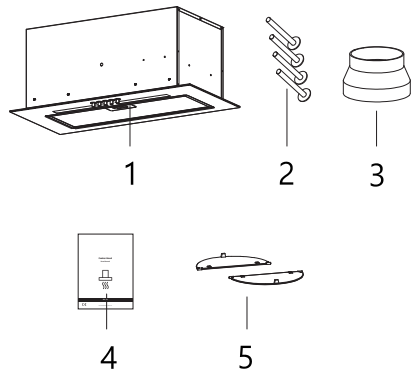
Õhupuhasti asukoha ja elektripaigaldise ettevalmistamine on kliendi kohustus.

### 5.1 Seadme asukoht

- Enne kokkupanekut tuleb arvestada pliidi ja õhupuhasti vahekaugusega. See vahemaa peaks olema 65 cm.
- Gaasipliidi puhul tuleb mõõta kaugust resti pinnast, elektripliitide puhul klaasi pinnast.



### 5.2 Paigaldustarvikud



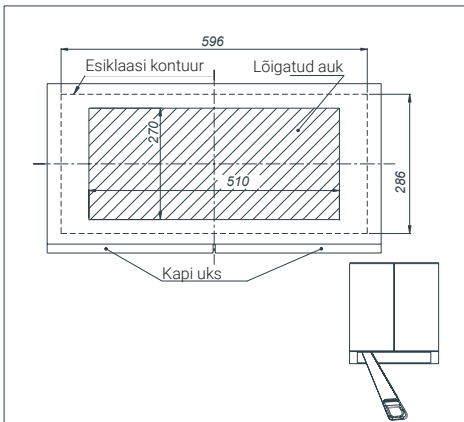
## 5 Seadme sätestamine

1. Õhupuhasti
2. 4x5x35 mm kruvi
3. Ø150/120mm Plastikust lõõriadapter
4. Kasutusjuhend
5. Puhuri klapid

### 5.3 Seadme paigaldamine

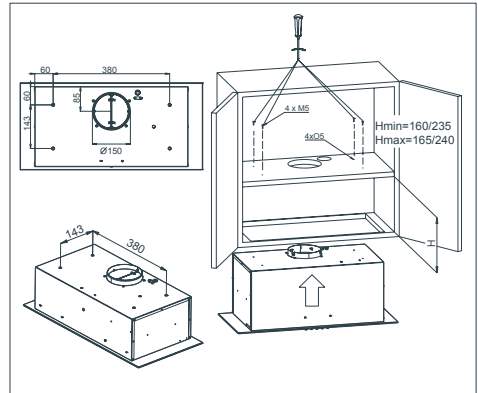
1. Valmistage kapuuts ette kapuutsi paigaldamiseks, lõigake kapi põhja auk vastavalt joonisele.

Kapi ettevalmistamine



2. Eemaldage rasvafiltrid
3. Asetage kapuuts ettevaatlikult eelnevalt lõigatud auku, hoidke kapuutsist ühe käega kinni või paluge täiendava isiku abi. Keerake sisse poldid / kruvid, valides ühe paigaldusvariandi a-kinnitus kapi ülaosale, b-kinnitus kapi küljele.

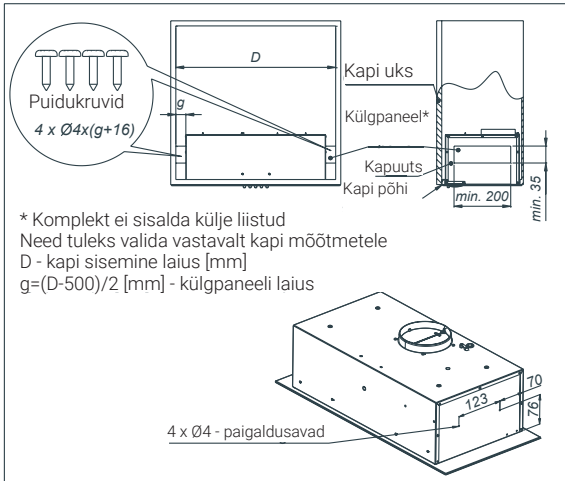
Köögituru paigaldamine – ülalt paigaldatav versioon



4. Kapuutsi kinnitamisel kapi ülaosa külge valmistage kapi riulisse augud vastavalt joonisel näidatud mõõtmetele. Külgvariandi puhul tuleb külgmised seelikud siiski valmistada vastavalt punktis

## 5 Seadme sätestamine

Köögitoru paigaldamine – külgmine paigaldusviis



\* Komplekt ei sisalda külje liistud  
Need tuleks valida vastavalt kapi mõõtmetele  
D - kapi sisemine laius [mm]  
 $g = (D - 500) / 2$  [mm] - külgpaneeli laius

### 5.4 Elektrilised ühendused

Võrgupinge peab vastama pingele, mis on näidatud köögikupu sees oleval plaadil. Kui kapuuts on varustatud pistikuga, sisestage see kehtivatele nõuetele vastavasse pistikupesasse, mis asub kergesti ligipääsetavas kohas. Kui pistikupesaga ei ole varustatud pistikupesaga, peab pistikupesaga paigaldamise teostama isik, kellel on vajalikud load (näiteks elektrik).

### 5.5 Ladustamine

- Kui te ei kavatse seadet pika aja vältel kasutada, ladustage see hoolikalt.
- Veenduge, et seade on vooluvõrgust eemaldatud, maha jahtunud ja täiesti kuiv.
- Ladustage seade jahedas ja kuivas kohas.
- Hoidke seadet lastele kättesaamatus kohas.

### 5.6 Käitlemine ja transport

- Käsitsemise ja transportimise ajal kandke seadet originaalpakendis. Seadme pakend kaitseb seda füüsiliste kahjustuste eest.
- Ärge asetage seadmele ega pakendile raskeid koormaid. Seade võib kahjustuda.
- Seadme mahakukkumine muudab selle mittetöotavaks või põhjustab püsivaid kahjustusi.



## 6 Tõrkeotsing

| Tõrkeotsing            | Põhjus                          | Abi  |
|------------------------|---------------------------------|--|
| Toode ei tööta         | Kontrollige kaitselülitit.      | Kaitselüliti võib olla väljas, lülitage see sisse.                               |
| Toode ei tööta         | Kontrollige elektriühendust.    | Võrgupinge peaks olema vahemikus 220–240 V.                                      |
| Toode ei tööta         | Kontrollige elektriühendust.    | Kontrollige, kas muud tooted Teie köögis töötavad või mitte.                     |
| Valgustus ei tööta.    | Kontrollige elektriühendust.    | Võrgupinge peaks olema vahemikus 220–240 V.                                      |
| Valgustus ei tööta.    | Kontrollige valgustuse lülitit. | Lüliti peaks olema asendis „sees“.   |
| Valgustus ei tööta.    | Kontrollige lampe.              | Toote lambid ei tohiks olla rikkis.  |
| Toote õhuvõtt on halb. | Kontrollige alumiiniumfiltrit.  | Alumiiniumist õlifiltrit tuleks normaalingimustes puhastada vähemalt kord kuus.  |
| Toote õhuvõtt on halb. | Kontrollige õhuava lõõri.       | Lõõr peaks olema asendis „sees“.   |
| Toote õhuvõtt on halb. | Kontrollige söefiltrit.         | Söefiltritega toodete puhul tuleks filtrit tavaliselt vahetada iga 3 kuu tagant. |

# Lūdzu, vispirms izlasiet šo lietotāja rokasgrāmatu.

Godātais klient!

Paldies, ka izvēlējāties šo "Beko" ierīci. Mēs ceram, ka šis produkts, kas ražots ar jaunāko augstas kvalitātes tehnoloģiju, jums sniegs vislabākos rezultātus. Tādēļ, pirms sākat to lietot, rūpīgi izlasiet visu lietotāja rokasgrāmatu un pārējo dokumentāciju un saglabāiet to lietošanai turpmāk. Ja jūs nododat izstrādājumu citai personai, kopā ar to nododiet arī šo lietotāja rokasgrāmatu. Rīkojieties atbilstoši norādījumiem, ņemot vērā visu lietotāja rokasgrāmatā sniegto informāciju un brīdinājumus.

Atcerieties, ka lietotāja rokasgrāmata var attiekties arī uz citiem modeļiem. Rokasgrāmatā ir skaidri aprakstītas modeļu atšķirības.

## Simbolu nozīme

Dažādās šīs rokasgrāmatas nodaļās tiek izmantoti šie simboli:



Svarīga informācija un noderīgi padomi par lietošanu.



**UZMANĪBU:** Brīdinājumi par bīstamām situācijām, kas saistītas ar apdraudējumu dzīvībai un īpašumam.



Brīdinājums par ugunsbīstamību.



Brīdinājums par elektrošoku.



# 1 Svarīgi norādījumi par drošību un vides aizsardzību

## 1.1 Vispārēja drošība

Svarīgi drošības norādījumi – rūpīgi izlasiet un uzglabājiet, lai lietotu nākotnē Šajā nodaļā doti drošības norādījumi, kas palīdzēs izvairīties no ugunsgrēka, elektrošoka, saskares ar mikroviļņu starojuma noplūdi, savainojumu un īpašuma bojājumu riska. Šo norādījumu neievērošana anulēs preces garantiju.

- “Beko” izstrādājumi atbilst piemērojamajiem drošības standartiem; tāpēc, lai novērstu jebkādas draudus, ierīces vai elektrības vada bojājuma gadījumā remonta vai aizvietošanas darbs ir jāveic izplatītājam, servisa centram vai speciālistam un apstiprinātam pakalpojumu sniedzējam. Kļūdains vai nekvalificēts remonts var būt bīstams un lietotājam riskants.
- Šo ierīci ir paredzēts izmantot mājsaimniecībā

un tai līdzīgos apstākļos, piemēram:

- darbinieku virtuvēs veikalos, birojos un citos darba vides apstākļos;
  - lauku mājās;
  - viesnīcas viesu vajadzībām un citās dzīvojamās vidēs;
  - B&B tipa apstākļos.
- Lietojiet ierīci tikai tai šajā rokasgrāmatā aprakstītajam nolūkam.
  - Ražotājs nav atbildīgs par zaudējumiem, kas radušies nepareizas produkta uzstādīšanas vai nepareizas lietošanas dēļ.
  - Šo ierīci drīkst lietot bērni no 8 gadu vecuma un personas ar ierobežotām fiziskām, uztveres vai garīgajām spējām, kā arī personas bez atbilstošas pieredzes un zināšanām, pie nosacījuma, ka tiek uzraudzītas vai informētas par ierīces drošu lietošanu un ar to saistītajiem riskiem.

## 1 Svarīgi norādījumi par drošību un vides aizsardzību

- Neļaujiet bērniem spēlēt ar ierīci. Bērni nedrīkst bez uzraudzības veikt ierīces apkopi un tīrīt to.
  - Minimālajam attālumam starp plīts gatavošanas trauku atbalsta virsmu un izstrādājuma zemāko daļu jābūt vismaz 65 cm.
  - Ja gāzes plīts uzstādīšanas norādījumos ir norādīts lielāks attālums, tas ir jāņem vērā.
  - Pārliedzinieties, vai jūsu elektrības padeve atbilst informācijai, kas sniegta ierīces nominālo parametru plāksnītē.
  - Nekādā gadījumā neizmantojiet ierīci, ja elektrības vads vai pati ierīce ir bojāta.
  - Lai nepieļautu bojājumus, nespiediet, nelokiet un nerīvējiet elektrības vadu pret asām malām. Pārliedzinieties, ka elektrības vads neatrodas tuvu karstām virsmām vai atklātai liesmai.
  - Izmantojiet ierīci tikai ar sazemētu kontaktligzdu.
- UZMANĪBU:** Nepievienojiet ierīci elektrotīklam, kamēr nav pabeigti uzstādīšanas darbi.
- Novietojiet ierīci tā, lai kontaktdakša būtu vienmēr pieejama.
  - Nepieskarieties lampām, ja tās ir degušas ilgu laiku. Tās var apdedzināt jūsu rokas, jo ir ļoti karstas.
  - Rīkojieties atbilstoši kompetento iestāžu noteikumiem par izplūdes gaisa izvadīšanu (šis brīdinājums neattiecas, ja ierīci izmanto bez dūmvada).
  - Ierīci iedarbiniet pēc tam, kad uz plīts uzlikts katliņš, panna utt. Citādi lielais karstums var deformēt dažas jūsu ierīces daļas.
  - Pirms no plīts noņemat katlu, pannu utt., izslēdziet plīti.
  - Neatstājiet uz plīts karstu eļļu. Pannas ar karstu eļļu var izraisīt pašai aizdegšanos.
  - Uzmaniet aizkarus un

# 1 Svarīgi norādījumi par drošību un vides aizsardzību

pārsegus, jo eļļa ēdiena, piemēram, eļļā vārītu kartupeļu, gatavošanas laikā var aizdegties.

- Tauku filtrs jāmaina vismaz reizi mēnesī. Ogles filtrs jāmaina vismaz reizi 3 mēnešos.
- Ierīce ir jātīra saskaņā ar lietotāja rokasgrāmatu. Ja tīrīšana nav veikta saskaņā ar lietotāja rokasgrāmatu, pastāv aizdegšanās risks.
- Nelietojiet ugunsnedrošus filtra materiālus esošā filtra vietā.
- Lietojiet tikai oriģinālās vai ražotāja ieteiktās rezerves daļas.
- Nedarbiniet ierīci bez filtra, neizņemiet filtrus, kamēr ierīce darbojas.
- Aizdegšanās gadījumā, atslēdziet savu ierīci un gatavošanas ierīces no elektrotīkla.
- Aizdegšanās gadījumā, pārklājiet liesmas, bet nedzēsiet to ar ūdeni.

- Atvienojiet ierīci no kontaktligzdas, kad tā netiek lietota un pirms katras tīrīšanas.

- Darbinot tvaiku nosūcēju vienlaikus ar elektrisko plīti un ierīcēm ar citu enerģijas avotu, telpas negatīvajam spiedienam nevajadzētu pārsniegt 4 Pa (4 x 10 bar).

- Telpā, kurā izmanto ierīci, ierīcēm, kuras darbina ar degvielu vai gāzi, piemēram, sildītājiem, jābūt absolūti izolētiem, vai ierīcei jābūt hermētiskai.

- Pievienojot dūmvadam, izmantojiet 120 vai 150 mm diametra caurules. Caurules savienojumam ir jābūt pēc iespējas īsākam ar iespējami mazāko līkumu skaitu.

- Nosmakšanas risks! Iepakojuma materiālus glabājiet bērniem nepieejamā vietā.

**UZMANĪBU:** Aizsniedzamās daļas var sakarst, kad dar-

# 1 Svarīgi norādījumi par drošību un vides aizsardzību

bina kopā ar gatavošanas ierīcēm.

- Ierīces izvadu nedrīkst pievienot gaisa kanāliem, pa kuriem plūst citi dūmi.
- Ja elektriskās plīts tvaika nosūcēju (tas neattiecas uz ierīcēm, kuras gaisu izvada atpakaļ telpā) lieto vienlaikus ar iekārtām, kuras darbina ar gāzi vai citiem kurināmajiem, telpā var nebūt pietiekama ventilācija.
- Priekšmeti, kas novietoti uz ierīces, var nokrist. Nelieciet uz ierīces nekādus priekšmetus.
- Nededziniet alkoholu zem ierīces.

**UZMANĪBU:** Pirms tvaika nosūcēja uzstādīšanas noņemiet aizsargplēvi.

- Tvaika nosūcēja darbības laikā zem tā nenovietojiet atklātu liesmu
- Izmantojot dziļās cepšanas ierīces, tās ir nepārtraukti jāuzrauga: pārkarsēta eļļa var aizdegties.

## 1.2 Atbilstība EIEA direktīvai un izstrādājuma apsaimniekošanas noteikumiem:

Šis izstrādājums atbilst ES EIEA direktīvai (2012/19/EU). Šim izstrādājumam ir klasifikācijas simbols, kas norāda uz elektrisko un elektronisko iekārtu atkritumiem (EIEA).



Šis simbols norāda uz to, ka šo produktu pēc tā kalpošanas beigām nedrīkst izmest kopā ar mājsaimniecības atkritumiem.

Nolietoto ierīci ir jānodod oficiālā savākšanas punktā, kurā pārstrādei pieņem elektriskās un elektroniskās ierīces. Lai atrastu šīs atkritumu savākšanas sistēmas, lūdzu, sazinieties ar vietējām iestādēm vai mazumtirgotāju, pie kura iegādājāties izstrādājumu. Katrai mājsaimniecībai ir būtiska loma vecu sadzīves iekārtu nodošanā un pārstrādē. Pareiza sadzīves iekārtu utilizācija palīdz novērst potenciāli negatīvu ietekmi uz apkārtējo vidi un cilvēku veselību.

## 1.3 Atbilstība RoHS direktīvai

Produkts, ko jūs iegādājāties, atbilst ES RoHS direktīvai (2011/65/EU). Tas nesatur kaitīgos un aizliegtos materiālus, kas minēti direktīvā.

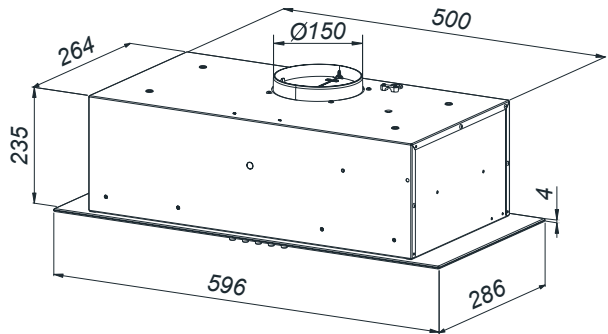
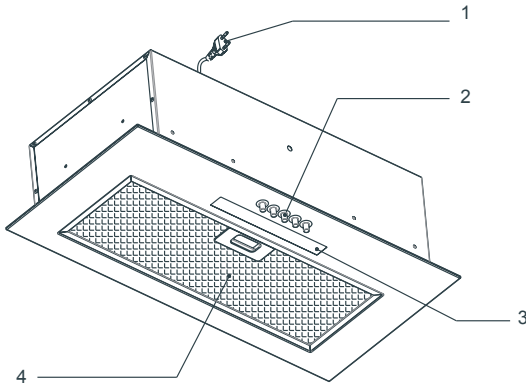
## 1.4 Informācija par iepakojumu



Iepakojuma materiāli ir ražoti no pārstrādātiem materiāliem saskaņā ar mūsu nacionālajām vides regulām. Neizmetiet iepakojuma materiālus kopā ar sadzīves vai citiem atkritumiem. Nogādājiet tos uz vietējo iestāžu noteiktajiem iepakojuma materiālu savākšanas punktiem.

## 2 Vispārējais izskats

### 2.1 Pārskats



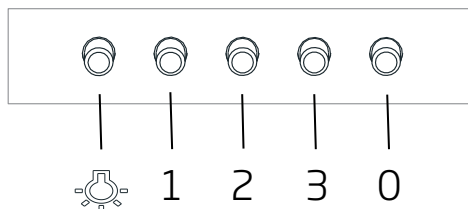
1. Strāvas vads
2. Mehāniskā vadība
3. Apgaismojums
4. Alumīnija tauku filtrs

### 2.2 Tehniskie dati


|   |                       |
|---|-----------------------|
| <b>Modelis</b>                          | HNU 61425 B           |
| <b>Barošanas spriegums un frekvence</b> | 220-240 V 50 Hz       |
| <b>Lampas jauda</b>                     | 5 W                   |
| <b>Motora jauda</b>                     | 115 W                 |
| <b>Gaisa plūsma - 3. Līmenis</b>        | 415 m <sup>3</sup> /h |
| <b>Motora izolācijas klase</b>          | class F               |
| <b>Izolācijas klase</b>                 | class II              |

## 3 Ierīces lietošana

### 3.1 Daudzfunkcionāla slēdža izmantošana



Tvaika nosūcējs ir aprīkots ar mehānisku vadības ierīci.

- Nospiežot "0" - tvaika nosūcējs tiek atspējots.
- Nospiežot "1" - pagriež tvaika nosūcēju ar minimālo ātrumu.
- Nospiežot "2" - pagriež tvaika nosūcēju ar vidējo ātrumu.
- Nospiežot "3" - pagriež tvaika nosūcēju ar maksimālo ātrumu.
- Nospiediet pogu , lai ieslēgtu gaismas. Lai izslēgtu apgaismojumu, atkārtojiet nospiešanu.


### 3.2 Energoefektīva izmantošana:

- Darbinot tvaika nosūcēju, pielāgojiet ātruma līmeni atbilstoši smakai un tvaika intensitātei, lai novērstu nevajadzīgu enerģijas patēriņu.
- Lietojiet nelielu ātrumu normālos apstākļos (1–2) un lielu ātrumu (3), ja ir pastiprināta smaka un tvaiki.
- Gaismas uz tvaika nosūcēja ir paredzētas gatavošanas zonas apgaismošanai.
- Ja tos izmantosit apkārtējās vides/virtuves apgaismošanai, būs nevajadzīgs enerģijas patēriņš un nepietiekams apgaismojums.
- Lai jūsu ierīce patērētu mazāk enerģijas, izmantojiet tās zemāku ātrumu.
- Jūsu ierīces enerģijas patēriņš sa-

mazināsies, jo tā darbosies efektīvāk, kad tai ir nodrošināta pietiekama gaisa pieplūde.

- Ja ir gaidāms liels tvaika daudzums, iestatiet ierīcē augstu nosūces intensitāti jau pirms tvaika rašanās. Tas ļaus samazināt enerģijas patēriņu, jo pateicoties pietiekamai gaisa pieplūdei ierīci var ieslēgt uz īsāku laiku.
- Turiet virtuves trauku vākus aizvērtus, lai samazinātu tvaika daudzumu.


### 3.3 Tvaika nosūcēja darbināšana

- Tvaika nosūcējs ir aprīkots ar motoru ar dažādiem ātruma iestatījumiem.
- Lai nodrošinātu labāku sniegumu, mēs iesakām normālos apstākļos izmantot nelielu ātrumu un lielu ātrumu, ja smaka un tvaiki ir pastiprināti.
- Tvaika nosūcēju var iedarbināt, nospiežot vēlamo ātruma līmeņa taustiņu. (1,2,3)
- Gatavošanas zonu var apgaismot, nospiežot gaismas taustiņu. ()

### 3.4 Lampas nomaiņa

Izstrādājumā tiek izmantota Led sloksne 5 W. Pirms darbu uzsākšanas, kas saistīti ar gaismas nomaiņu, izslēdziet strāvu.

Ja tvaika nosūcējs ir aprīkots ar LED paneli, gaismas avota nomaiņa jāuztiek attiecīgi licencētai personai (piemēram, elektriķim) vai par kļūmi jāziņo autorizētam servisa centram.

|                          |   |
|--------------------------|---|
| <b>Spuldze</b>           |  |
| <b>Spuldzes jauda</b>    | 5 W   |
| <b>Turētājs / ligzda</b> | NS39-G2   |



## 3 Ierīces lietošana

|                                      |             |
|--------------------------------------|-------------|
| <b>Spuldzes spriegums</b>            | 220 – 240 W |
| <b>Izmērs</b>                        | 300 x 26 mm |
| <b>Gaismas plūsma</b>                | 420 lm      |
| <b>Korelējoša krāsas temperatūra</b> | 3800 K      |

Šis produkts satur F klases energoefektīvātes gaismas avotu.



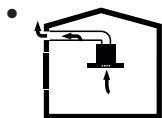
- Pirms spuldžu nomaiņas atvienojiet tvaika nosūcēja barošanas avotu.
- Nepieskarieties spuldzēm, ja tās ir karstas.
- Esiet piesardzīgi, nepieskarieties nomainītajai spuldzei tieši ar rokām.



Jūs varat iegādāties lampas no pilnvarotiem servisa aģentiem.

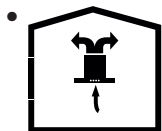
- Ja tvaika nosūcējs tiks izmantots bez dūmvada savienojuma, noņemiet novirzītājus dūmvada adaptera iekšpusē.
- Noņemiet alumīnija filtru. Lai uzstādītu oglekļa filtru, centrējiet oglekļa filtru uz plastmasas daļas abās ventilatora korpusa pusēs un nostipriniet to uz izciļņiem. Nostipriniet filtru, pagriežot izciļņus pa labi vai pa kreisi.
- Uzstādiet alumīnija filtru.

### 3.5 Dūmvada savienojuma izmantošana



- Tvaiki tiek noņemti caur dūmvada cauruli, kas ir piestiprināta pie savienojuma galvas uz tvaika nosūcēja.
- Dūmvada caurules diametram jābūt vienādam ar savienojuma gredzena diametru. Lai gaisu varētu viegli izvadīt no telpas horizontālā stāvoklī, caurulei jābūt nedaudz noliektai uz augšu (aptuveni 10°).

### 3.6 Izmantošana bez dūmvada savienojuma



- Gaisu filtrē ar oglekļa filtru un ievada atkārtoti telpā. Oglekļa filtru izmanto, ja mājā nav dūmvada.

## 4 Tīršana un apkope

Ierīcei ir nepieciešama regulāra tīršana un apkope. Ja ierīce netiks regulāri tīrta, tas negatīvi ietekmēs tās kalpošanas ilgumu. Sekojiet tīršanas un apkopes instrukcijām lietotāja rokasgrāmatā.



Pirms tīršanas un apkopes atvienojiet ierīci no elektrotīkla vai izslēdziet galveno slēdzi vai atlaidiet drošinātāju, kas nodrošina tvaika nosūcēju.

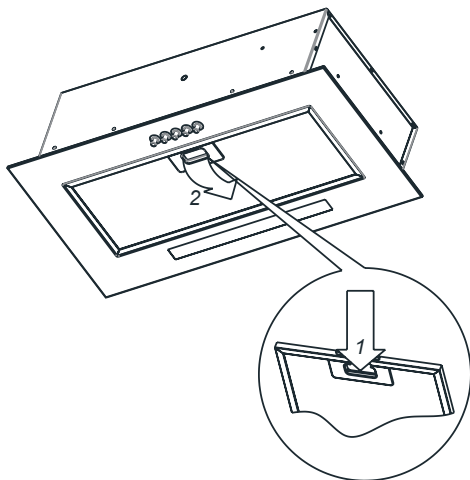


Ja netiks ievērotas prasības par ierīces tīršanu un filtru maiņu, tas var radīt ugunsgrēka risku. Tāpēc iesakām sekot šajā sadaļā sniegtajām norādēm. Ražotājs nav atbildīgs par motora bojājumiem un ugunsgrēkiem, kas rodas nepareizas lietošanas rezultātā.

Tīriet, izmantojot tikai drānu, kas samitrināta ar neitrālu šķidru mazgāšanas līdzekli. Neizmantojiet abrazīvus produktus vai spirtu.

### 4.1 Alumīnija tauku filtra tīršana

Šis filtrs uztver eļļas daļiņas gaisā. Jums ieteicams tīrīt filtru ik mēnesi normālos lietošanas apstākļos. Vispirms noņemiet tauku filtrus šim procesam. Nomazgājiet filtrus ar šķidru mazgāšanas līdzekli, noskalojiet tos ar ūdeni un pēc nožūšanas ievietojiet tos atpakaļ. Alumīnija tauku filtri mazgāšanas laikā var zaudēt krāsu; tas ir normāli, un jums nav jāmaina filtrs.



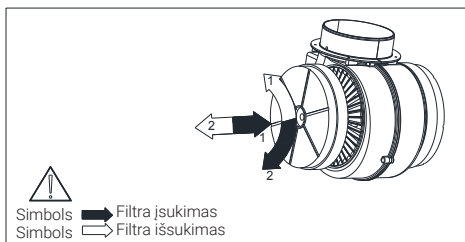
Alumīnija filtrus varat mazgāt arī trauku mazgājamajā mašīnā.



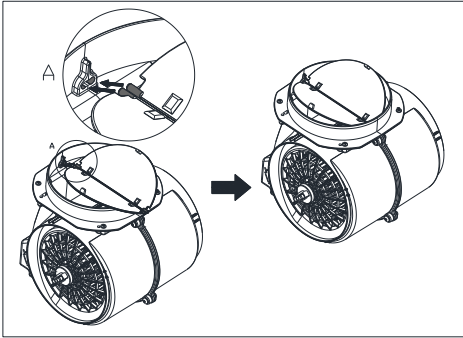
**BRĪDINĀJUMS:** Ieteicams tīrīt filtru ik mēnesi normālos lietošanas apstākļos.

### 4.2 Oglekļa filtra maiņa (gaisa cirkulācijas režīms)

Tvaika nosūcēju var aprīkot ar aktīvās ogles filtru. Oglekļa filtru lieto tikai tad, ja tvaika nosūcējs nav pievienots ventilācijas kanālam.



## 4 Tīrīšana un apkope



### UZMANĪBU

- Oglekļa filtru nekad nedrīkst mazgāt.
- Tie jāmaina aptuveni ik 3 mēnešus.
- Oglekļa filtrus varat iegādāties pie pilnvarotiem servisa aģentiem.



## 5 Ierīces iestatīšana



**BRĪDINĀJUMS:** Pirms uzstādīšanas uzmanīgi izlasiet informāciju Lietotāja rokasgrāmatā.



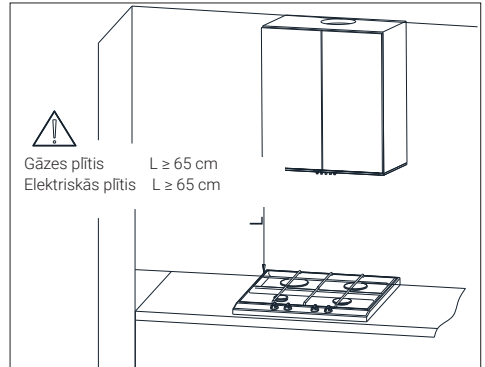
**BRĪDINĀJUMS:** Ja skrūves vai stabilizatori netiks uzstādīti saskaņā ar šīm instrukcijām, tas var izraisīt elektriskā trieciena risku.

Lai uzzinātu, kā uzstādīt nosūcēju, lūdzu, sazinieties ar tuvāko pilnvaroto servisa pārstāvi.

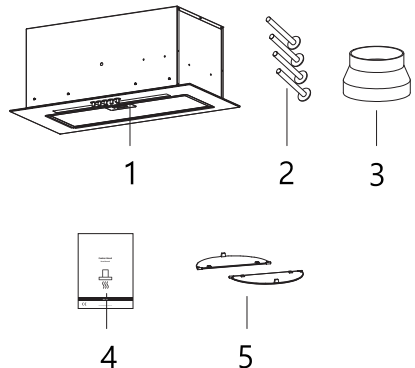
Par izstrādājuma atrašanās vietas un elektriskās instalācijas sagatavošanu ir atbildīgs klients.

### 5.1 Ierīces novietojums

- Pirms montāžas ir jāizvērtē attālums starp plīti un tvaika nosūcēju. Šim attālumam ir jābūt 65 cm.
- Attālums tiek mērīts no gāzes plīts režģa virsmas vai, no elektriskās plīts stikla virsmas.



### 5.2 Uzstādīšanas piederumi



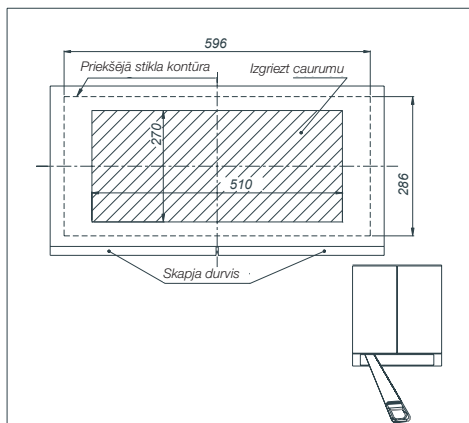
## 5 Ierīces iestatīšana

1. Nosūcējs
2. 4x5x45 mm skrūve
3. Ø150/120mm plastmasas dūmvada adapteris
4. Lietotāja rokasgrāmata
5. Dūmvadu aizbīdņi

### 5.3 Ierīces uzstādīšana

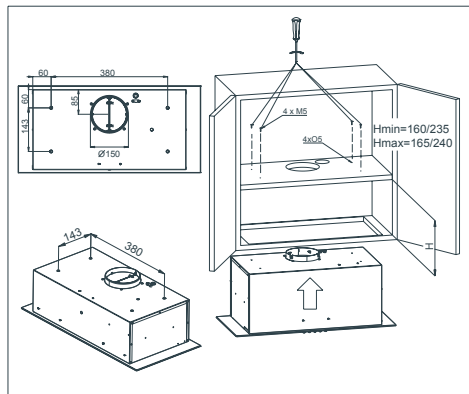
1. Sagatavojiet skapi tvaika nosūcēja uzstādīšanai, izgrieziet atveri skapja apakšā saskaņā ar rasējumu.

Skapja sagatavošana



2. Noņemiet smērvielu smērvielu filtrus
3. Uzmanīgi ievietojiet pārsegu iepriekš izgrieztajā atverē, turiet pārsegu ar vienu roku vai palūdziet palīdzību vēl kādai personai. Ieskrūvējiet skrūves/skrūves, izvēloties vienu no montāžas variantiem: a - piestiprināšana pie skapja augšdaļas, b - piestiprināšana pie skapja sāniem.

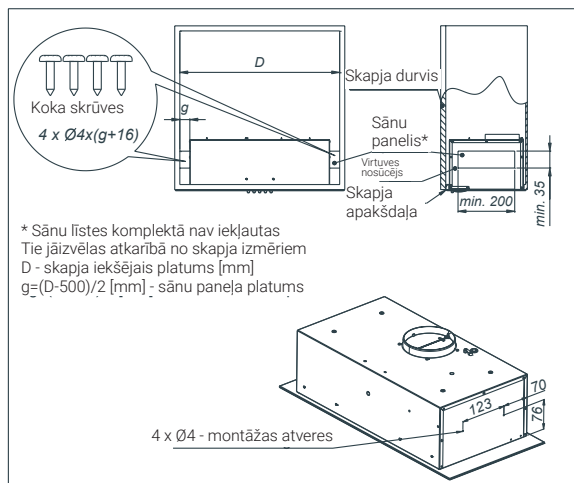
Virtuves nosūcēja uzstādīšana – augšējā montāžas versija



4. Piestiprinot tvaika nosūcēju pie skapja augšdaļas, sagatavojiet atveres skapja plauktā atbilstoši rasējumā norādītajiem izmēriem. Tomēr sānu varianta gadījumā sānu svārkī jāpasagatavo, kā aprakstīts sadaļā

## 5 Ierīces iestatīšana

Virtuves nosūcēja uzstādīšana – sānu montāžas versija



### 5.4 Elektriskie savienojumi

Tikla spriegumam jāatbilst spriegumam, kas norādīts uz plāksnītes, kura atrodas virtuves pārsega iekšpusē. Ja tvaika nosūcējs ir aprīkots ar kontaktdakšu, ievietojiet to kontaktlīzdā, kas atbilst piemērojamajām prasībām un atrodas viegli pieejamā vietā. Ja tvaika nosūcējs nav aprīkots ar kontaktdakšu, tvaika nosūcēja uzstādīšanu veic persona, kurai ir nepieciešamās pilnvaras (piemēram, elektriķis).

### 5.5 Uzglabāšana

- Ja neplānojat lietot ierīci ilgu laiku, lūdzu, rūpīgi uzglabājiet to.
- Lūdzu, pārliedziniet, vai ierīce ir atvērta, atdzisusi un pilnībā sausa.
- Glabājiet ierīci vēsā un sausā vietā.
- Glabājiet ierīci bērniem nepieejamā vietā.

### 5.6 Pārkraušana un transportēšana

- Apstrādes un transportēšanas laikā ierīci nēsājiet oriģinālajā iepakojumā. Ierīces iepakojums pasargā to no fiziskiem bojājumiem.
- Nenovietojiet uz ierīces vai iepakojuma smagas slodzes. Ierīce var tikt bojāta.
- Nometot ierīci, tā nedarbosies vai radīs neatgriezeniskus bojājumus.

## 6 Traucējumu meklēšana

| Traucējumu meklēšana                            | Iemesls                                    | Risinājums   |
|---|--|--|
| Izstrādājums nedarbojas.                        | Pārbaudiet drošinātāju.                    | Drošinātājs var būt izslēgts, ieslēdziet to.   |
| Izstrādājums nedarbojas.                        | Pārbaudiet elektrisko savienojumu.         | Elektriskā tīkla spriegumam ir jābūt 220-240 V.  |
| Izstrādājums nedarbojas.                        | Pārbaudiet elektrisko savienojumu.         | Pārbaudiet, vai parējās ierīces virtuvē darbojas.  |
| Apgaismojuma spuldze nedarbojas.                | Pārbaudiet elektrisko savienojumu.         | Elektriskā tīkla spriegumam ir jābūt 220-240 V.  |
| Apgaismojuma spuldze nedarbojas.                | Pārbaudiet spuldzes slēdzi.                | Spuldzes slēdzim ir jābūt stāvoklī "iesl.".  |
| Apgaismojuma spuldze nedarbojas.                | Pārbaudiet spuldzes.                       | Izstrādājuma spuldzēm ir jābūt darba kārtībā.  |
| Izstrādājums nenodrošina efektīvu gaisa nosūci. | Pārbaudiet alumīnija filtru.               | Normālos lietošanas apstākļos alumīnija filtrs ir jātīra ik mēnesi.  |
| Izstrādājums nenodrošina efektīvu gaisa nosūci. | Pārbaudiet ventilācijas caurules aizbīdņi. | Ventilācijas caurules aizbīdņim ir jābūt stāvoklī "iesl.".   |
| Izstrādājums nenodrošina efektīvu gaisa nosūci. | Pārbaudiet oglekļa filtru.                 | Normālos lietošanas apstākļos izstrādājumos, kas ir aprīkoti ar oglekļa filtru, filtrs ir jāmaina ik pēc 3 mēnešiem. |

## Pirmiausia perskaitykite šią naudojimo instrukciją!

Brangus kliente,

Dėkojame, kad pasirinkote šį "Beko" prietaisą. Tikimės, kad šiuo prietaisu, kuris buvo pagamintas naudojant aukščiausios kokybės moderniausią technologiją, liksite patenkinti. Dėl to, prieš pradėdami naudoti šį prietaisą, perskaitykite visą šią naudojimo instrukciją bei prie jos pridėjusius dokumentus ir juos pasilikite, jei prireiktų ateityje. Jeigu atiduotumėte šį prietaisą kam nors kitam, kartu atiduokite ir šią naudojimo instrukciją. Laikykitės naudojimo instrukcijoje pateiktų nurodymų, atkreipkite dėmesį į visą informaciją ir įspėjimus.

Atkreipkite dėmesį, kad ši naudojimo instrukcija gali būti taikoma ir kitiems modeliams. Modelių skirtumai yra aiškiai aprašyti šioje instrukcijoje.

### Ženklų reikšmės

Įvairiuose šios naudojimo instrukcijos skyriuose naudojami šie simboliai:



Svarbi informacija ir naudingi patarimai, kaip naudoti prietaisą.



**ĮSPĖJIMAS:** Įspėjimai apie pavojingas situacijas, keliančias pavojų gyvybei ir turtui.



Įspėjimas dėl gaisro pavojaus.



Įspėjimas dėl elektros smūgio.



# 1 Svarbios saugos ir aplinkos apsaugos taisyklės

## 1.1 Bendrieji saugos reikalavimai

Svarbios saugos instrukcijos Atidžiai perskaitykite ir pasilikite ateičiai Šiame skyriuje pateikiama saugos informacija, kuri padės išvengti gaisro, elektros smūgio, mikrobangų krosnelės spinduliuojamos energijos poveikio pavojaus, susižeidimų ar materialinės žalos. Jei nesilaikysite šių instrukcijų, nebus taikoma garantija.

- „Beko“ gaminiai atitinka galiojančius saugos standartus, todėl, jeigu prietaisas arba jo maitinimo laidas būtų pažeistas, jį privalo paleisti platintojas, aptarnavimo centras ar specialistas arba bet kuris kitas įgaliotasis atstovas, kad būtų išvengta bet kokių pavojų. Klaidingi arba netinkami remonto darbai gali kelti pavojų ir riziką vartotojui.
- Šis įrenginys yra skirtas

naudoti buitiniams ir panašioms tikslams, pvz.:

- darbuotojų valgomuosiuose, pavyzdžiui, parduotuvėse, biuruose ir kitoje darbo aplinkoje;
  - ūkininkų gyvenamuosiuose namuose;
  - klientams viešbučiuose ir kitoje gyvenamojo aplinkoje;
  - viešbučiuose, kuriose siūloma nakvynė su pusryčiais.
- Prietaisą naudokite tik pagal paskirtį, aprašytą šiose naudojimo instrukcijose.
  - Gamintojas neatsako už žalą, patirtą dėl netinkamo gaminio įrengimo ar naudojimo.
  - Šį prietaisą leidžiama naudoti vaikams nuo 8 metų amžiaus ir asmenims, turintiems fizinių, jutimo ar psichinių negalių, arba neturintiems patirties ir žinių, kaip naudoti šį prietaisą, su sąlyga, kad jie bus pri-



# 1 Svarbios saugos ir aplinkos apsaugos taisyklės

žiūrimi arba išmokyti, kaip saugiai naudoti šį prietaisą, ir supras atitinkamus pavojus.

- Neleiskite vaikams žaisti su šiuo prietaisu. Neprižiūrimi vaikai negali atlikti valymo ir naudotojo atliekamų techninės priežiūros darbų.
- Mažiausias atstumas tarp kaitlentės virimo indų atraminio paviršiaus ir žemiausios gaminio dalies turi būti bent 65 cm.
- Jei dujinės kaitlentės montavimo instrukcijose nurodytas didesnis atstumas, reikia jį atsižvelgti.
- Pasirūpinkite, kad jūsų elektros tinklo duomenys atitiktų prietaiso kategorijos plokštelėje nurodytus duomenis.
- Niekada nenaudokite prietaiso, jeigu šis yra sugadintas arba pažeistas jo maitinimo laidas.
- Saugokite maitinimo laidą, kad jis nebūtų suspaustas,

užlenktas arba trinamas į aštrius kraštus. Saugokite maitinimo kabelį nuo įkaitusių paviršių ir atviros ugnies.

- Prietaisą junkite tik prie įžeminto elektros lizdo.

**ĮSPĖJIMAS:** Nejunkite prietaiso prie elektros tinklo, kol jis nėra visiškai sumontuotas.

- Prietaisą pastatykite taip, kad elektros kištukas visada būtų pasiekiamas.
- Nelieskite lempučių, jeigu jos ilgai švietė. Jos bus karštos, dėl to galite nusideginti rankas.
- Laikykitės kompetentingų valdžios institucijų nustatytų taisyklių dėl ištraukiamojo oro išleidimo (šis įspėjimas netaikomas, jeigu prietaisas naudojamas be dūmtraukio).
- Įjunkite prietaisą po to, kai pastatysite ant kaitvietės puodą, keptuvę ir t.t. Priešingu atveju dėl didelio karščio kai kurios jūsų

## 1 Svarbios saugos ir aplinkos apsaugos taisyklės

gaminio dalys gali deformuotis.

- Išjunkite kaitvietę prieš nuimdami nuo jos puodą, keptuvę ir t.t.
- Nepalikite ant kaitvietės karšto aliejaus. Keptuvės su karštu aliejumi gali tapti užsidegimo priežastimi.
- Atkreipkite dėmesį į užuolaidas ir uždangalus, nes kepant, pvz., bulvių šiaudelius, aliejus gali užsiliepsnoti.
- Riebalų filtrą reikia keisti bent kartą per mėnesį. Anglies filtrą reikia keisti bent kartą per 3 mėnesius.
- Gaminys turi būti valomas pagal naudojimo instrukciją. Jei valymas atliktas ne pagal naudojimo instrukciją, gali kilti gaisro pavojus.
- Vietoje dabartinio filtro nenaudokite ugniai neatsparių filtravimo medžiagų.
- Naudokite tik originalias arba gamintojo rekomenduojamas dalis.
- Nenaudokite prietaiso be filtro ir neišimkite filtrų iš veikiančio prietaiso.
- Atsiradus liepsnai, išjunkite gaminį ir maisto gaminimo prietaisus.
- Atsiradus liepsnai, ją uždenkite ir jokių būdų negesinkite vandeniui.
- Jeigu prietaiso nenaudojate arba prieš jį valydami, atjunkite jį nuo elektros tinklo.
- Patalpoje, kurioje vienu metu veikia virš elektrinės kaitlentės montuojamas garų rinktuvas ir kiti, ne elektra maitinami prietaisai, neigiamas slėgis neturi viršyti 4 Pa (4 x 10 bar).
- Patalpoje, kurioje naudojamas prietaisas, mazutu arba dujomis kūrenamų prietaisų, pvz., šildytuvo, išmetamos dujos privalo būti visiškai izoliuotos arba tokie prietaisai privalo būti hermetiški.
- Dūmtraukiui prijungti

# 1 Svarbios saugos ir aplinkos apsaugos taisyklės

naudokite 120 mm arba 150 mm skersmens vamzdžius. Vamzdžio jungtis turi būti kuo trumpesnė, o alkūnių skaičius – minimalus.

**Pavojus uždusti!** Visas pakuočės dalis laikykite vaikams nepasiekiamoje vietoje.

**ATSARGIAI!** Naudojant su maisto gaminimo prietaisais, liečiamos prietaiso dalys gali įkaisti.

- Gaminio išleidimo vamzdžio negalima jungti prie ortakių, kuriuose yra kitų dūmų.
- Vienu metu patalpoje naudojant virš elektrinės kaitlentės montuojamą garų rinktuvą ir dujomis arba kitu kuru kūrenamus prietaisus ventiliacija gali būti nepakankama (ši nuostata gali būti netaikoma prietaisams, kurie orą išleidžia tik atgal į patalpą).
- Ant gaminio sudėti daiktai gali nukristi. Nedėkite jokių daiktų ant gaminio.

- Neuždeginėkite po gaminiu.
- **ĮSPĖJIMAS:** Prieš montuodami garų rinktuvą, nuimkite apsaugines plėveles.
- Niekada nepalikite atviros liepsnos po veikiančiu garų rinktuvu.
- Naudojant gruzdintuves, jas reikia nuolat prižiūrėti: per daug įkaitęs aliejus gali užsiliepsnoti.

## 1.2 Atitiktis EEJA direktyvai ir atitarnavusio gaminio sutvarkymas:

Šis gaminytis atitinka ES EEJA direktyvą (2012/19/ES). Šis gaminytis žymimas elektros ir elektroninės įrangos atliekų (EEJA) simboliu.



Šis simbolis reiškia, kad, kai produktas tampa nebenaudojamas, jo negalima šalinti kartu su kitomis buitinėmis atliekomis. Panaudotą prietaisą būtina pristatyti į elektros ir elektroninių prietaisų surinkimo ir perdirbimo punktą. Norėdami sužinoti, apie surinkimo ir perdirbimo punktus - susisiekite su vietos institucijomis arba pardavėju. Kiekvienas atliekame svarbų vaidmenį saugodami gamtą ir perdirbdami senus buitinius prietaisus. Atitinkamas panaudotų buitinių prietaisų šalinimas padeda išvengti neigiamos žalos gamtai ir žmogaus sveikatai.

# 1 Svarbios saugos ir aplinkos apsaugos taisyklės

## 1.3 Atitiktis RoHS direktyvai

Jūsų įsigytas gaminys atitinka ES RoHS direktyvą (2011/65/ES). Jame nėra direktyvoje nurodytų kenksmingų ar draudžiamų medžiagų.

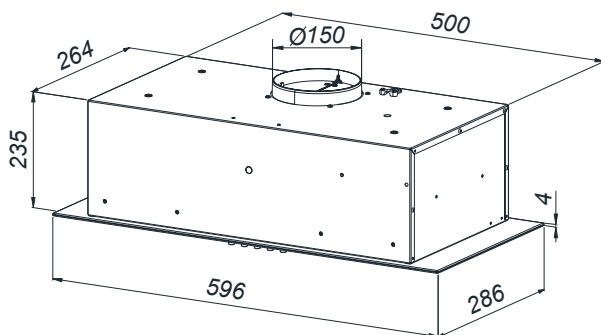
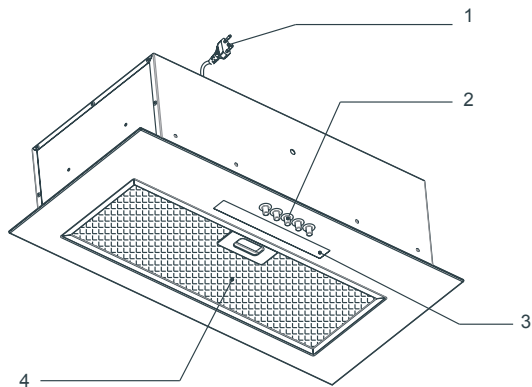
## 1.4 Informacija apie pakuotę



Šio gaminio pakavimo medžiagos pagamintos iš pakartotinai panaudojamų medžiagų, atsižvelgiant į mūsų nacionalinius aplinkosaugos reglamentus. Neišmeskite pakavimo medžiagų kartu su buitinėmis atliekomis arba kitomis šiukšlėmis. Jas atiduokite į vietinių valdžios institucijų nurodytus pakavimo medžiagų surinkimo punktus.

## 2 Bendroji išvaizda

### 2.1 Apžvalga



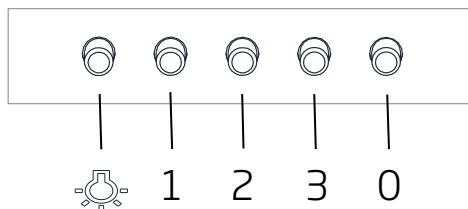
1. Maitinimo laidas
2. Mechaninis reguliatorius
3. Apšvietimas
4. Aliumininis riebalų filtras

### 2.2 Techniniai duomenys


|  |                          |
|--|--------------------------|
| <b>Modelis</b>                           | HNU 61425 B              |
| <b>Tiekama elektros įtampa ir dažnis</b> | 220-240 V 50 Hz          |
| <b>Lemputės galingumas</b>               | 5 W                      |
| <b>Variklio galingumas</b>               | 115 W                    |
| <b>Oro srautas – 3. lygis</b>            | 415 m <sup>3</sup> /val. |
| <b>Variklio izoliacijos klasė</b>        | F klasė                  |
| <b>Izoliacijos klasė</b>                 | II klasė                 |

## 3 Prietaiso naudojimas

### 3.1 Perjungiamos svirties naudojimas



Gartraukis turi mechaninį reguliatorių.

- Paspaudžiant „0“ gartraukis išjungiamas.
- Paspaudžiant „1“ gartraukis įjungiamas veikti mažiausiu greičiu.
- Paspaudžiant „2“ gartraukis įjungiamas veikti vidutiniu greičiu.
- Paspaudžiant „3“ gartraukis įjungiamas veikti didžiausiu greičiu.
- Norėdami įjungti apšvietimą spauskite mygtuką . Spausdami mygtuką dar kartą apšvietimą išjungsite.


### 3.2 Energijos efektyvumas

- kai gartraukis veikia, reguliuokite greičio lygį pagal garų ir kvapo intensyvumą, kad gartraukis be reikalo nenaudotų energijos.
- Įprastomis sąlygomis rinkitės mažą greitį (1-2), o jei garai ir kvapai yra intensyvūs, nustatykite didesnį greitį (3).
- Lempučių gartraukyje yra skirtos apšviesti gaminimo zoną.
- Naudojant šias lemputes kaip virtuvės apšvietimą, bus be reikalo švaistoma energija ir apšvietimas bus netinkamas.
- Lai jūsų ierice patērētu mažāk energijas, izmantojiet tās zemāku ātrumu.
- Jūsu ierices enerģijas patēriņš samazināsies, jo tā darbosies efektīvāk,

kad tai ir nodrošināta pietiekama gaisa pieplūde.

- Ja ir gaidāms liels tvaika daudzums, iestatiet ierīcē augstu nosūces intensitāti jau pirms tvaika rašanās. Tas ļaus samazināt enerģijas patēriņu, jo pateicoties pietiekamai gaisa pieplūdei ierīci var ieslēgt uz īsāku laiku.
- Turiet virtuves trauku vākus aizvērtus, lai samazinātu tvaika daudzumu.


### 3.3 Īrenginio veikimas

- Gartraukis turi kelias greičiausias nustatomą ventilatorių su varikliu.
- Kad gartraukis veiktų geriau, įprastomis sąlygomis rekomenduojame rinktis mažą greitį, o kai garų ir dūmų yra daug – didelį greitį.
- Gartraukį galima įjungti spaudžiant norimo greičio mygtuką (1, 2, 3).
- Gaminimo zoną galima apšviesti spaudžiant apšvietimo mygtuką .

### 3.4 Lempučių pakeitimas

Gaminyje naudojama 5 W LED juostelė. Prieš pradėdami bet kokius su šviesos keitimu susijusius darbus, išjunkite maitinimą.

Jei gaubtas turi LED skydelį, šviesos šaltinio keitimą reikia patikėti tinkamai licencijuotam asmeniui (pvz., elektrikui) arba apie gedimą pranešti įgaliotam aptarnavimo centrui.

|                             |   |
|-----------------------------|---|
| <b>Elektros lempučių</b>    |  |
| <b>Lempučių galin-gumas</b> | 5 W   |
| <b>Laikiklis / lizdas</b>   | NS39-G2   |

## 3 Prietaiso naudojimas

|                                       |             |
|---------------------------------------|-------------|
| <b>Lemputės įtampa</b>                | 220 – 240 W |
| <b>Dydis</b>                          | 300 x 26 mm |
| <b>Šviesos srautas</b>                | 420 lm      |
| <b>Susietoji spalvinė temperatūra</b> | 3800 K      |

Šiame gaminyje yra "F" efektyvumo klasės energijos suvartojimo šviesos šaltinis.

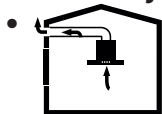


- Prieš pakeisdami lempuotę atjunkite gartraukį nuo maitinimo šaltinio.
- Nelieskite įkaitusių lempučių.
- Nelieskite tiesiai rankomis pakeistos lempuotės.



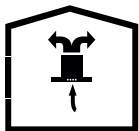
Lempučių galite įsigyti iš įgaliotųjų aptarnavimo atstovų.

### 3.5 Naudojimas su dūmtraukiu



- Garai yra pašalinami per dūmtraukio vamzdį, pritvirtintą prie gartraukio jungiamosios galvutės.
- Dūmtraukio skersmuo turi atitikti jungiamojo žiedo skersmenį. Kad oras būtų lengvai ištraukiamas iš patalpos per horizontaliai tvirtinamą vamzdį, vamzdį reikia sumontuoti šiek tiek pakreiptą į viršų (10° kampu).

### 3.6 Naudojimas be dūmtraukio



- Oras yra filtruojamas per anglies filtrą ir išmetamas atgal į patalpą. Jei namuose nėra dūmtraukio, naudojamas anglies filtras.
- Jei gartraukis bus naudojamas be dūmtraukio jungties, išimkite iš dūm-

traukio adapterio nukreipiklius.

- Išimkite aliuminio filtrą. Norėdami sumontuoti anglies filtrą, į įstatykite centre tarp abiejų ventilatoriaus korpuso dalių ir užfiksuokite spaustukus. Pritvirtinkite filtrą sukdami spaustukus į kairę arba į dešinę.
- Įstatykite aliuminio filtrą.

## 4 Valymas ir priežiūra

Iericei ir nepieciešama regulāra tīrīšana un apkope. Ja ierīce netiks regulāri tīrīta, tas negatīvi ietekmēs tās kalpošanas ilgumu. Sekojiet tīrīšanas un apkopes instrukcijām lietotāja rokasgrāmatā.



Priēš atlikdami valymo ir priežiūros darbus atjunkite prietaisā arba išjunkite pagrindinį maitinimo jungiklį, arba atsukite saugiklį, esantį gartraukyje.

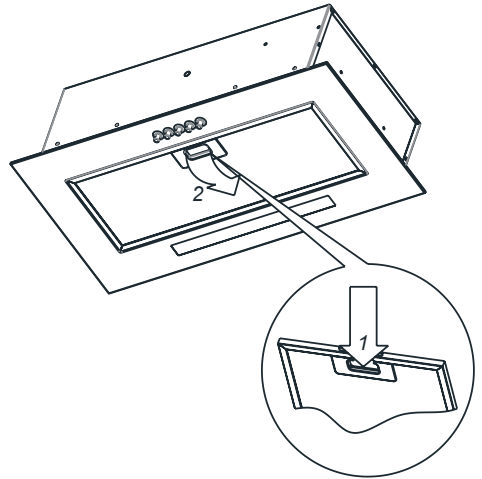


Ja netiks ievērotas prasības par ierīces tīrīšanu un filtru maiņu, tas var radīt ugunsgrēka risku. Tāpēc iesakām sekot šajā sadaļā sniegtajām norādēm. Ražotājs nav atbildīgs par motora bojājumiem un ugunsgrēkiem, kas rodas nepareizas lietošanas rezultātā.

Valykite tik neitrāli valymo skyciū sudrēkinta šluoste. Nevalykite su kitais įrankiais ar instrumentais. Nenaudokite braižančių produktų. Nenaudokite alkoholio.

### 4.1 Aliuminio riebalų filtro valymas

Šis filtras surenka riebalų daleles iš oro. Rekomenduojama filtrą valyti kiekvieną mėnesį, kai jis naudojamas įprastu dažnumu. Iš pradžių išimkite riebalų filtrus. Nuplaukite filtrus su indų plovikliu ir išskalaukite vandeniu, kai išdžiūsta, įstatykite atgal. Aliumininiai riebalų filtrai gali pakeisti spalvą plaunant, tai normalu, filtro dėl to keisti nereikia.



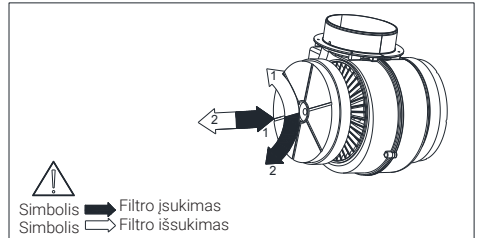
Aliuminio filtrus taip pat galima plauti indaplovėje.



**DĖMESIO:** Rekomenduojama filtrą valyti kiekvieną mėnesį, kai jis naudojamas įprastu dažnumu.

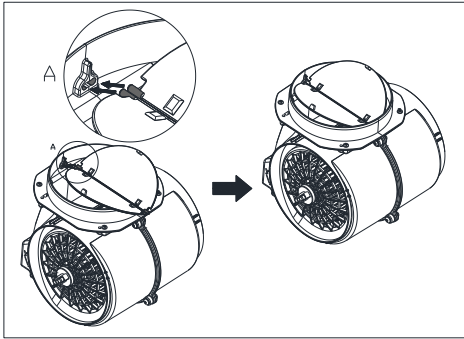
### 4.2 Anglies filtro keitimas (oro cirkuliacijos režimu)

Ant gartraukio galima įrengti aktyvios anglies filtrą. Anglies filtras įrengiamas tik tuo atveju, jei gartraukis nėra prijungtas prie ištraukimo angos.





## 4 Valymas ir priežiūra



### DĖMESIO

- Anglies filtrų negalima plauti.
- Juos reikia keisti kas maždaug 6 mėnesius.
- Anglies filtrų galite įsigyti iš įgaliotųjų aptarnavimo įmonių.

## 5 Prietaiso nustatymas



**DĖMESIO:** Prieš pradėdami montuoti perskaitykite naudotojo vadovo saugos informaciją.



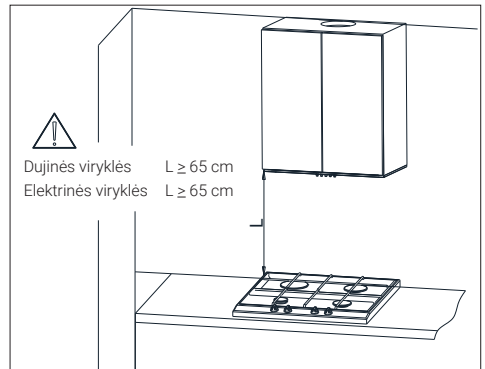
**DĖMESIO:** Neįstačius varžtų ir stabilizatorių pagal šias instrukcijas gali išstikti elektros smūgis.

Dėl gartraukio sumontavimo kreipkitės į artimiausią įgaliotąjį techninio aptarnavimo centro atstovą.

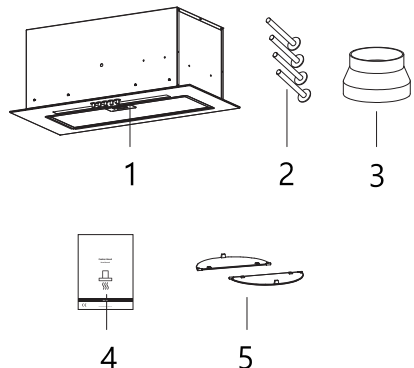
Vartotojas yra atsakingas už vietos, elektros ir dujų instaliacijos paruošimą šiam gaminiui.

### 5.1 Padėties nustatymas

- Atstumas tarp viryklės ir gartraukio turi būti įvertintas prieš pradėdant montavimo darbus. Jis turi sudaryti 65 cm.
- Atstumą reikia matuoti nuo gartraukio grotelių dujinėms viryklėms, nuo stiklinio paviršiaus elektrinėms viryklėms.



### 5.2 Montavimo priedai



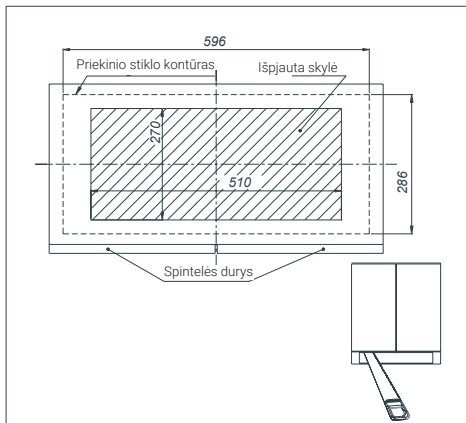
## 5 Prietaiso nustatymas

1. Gartraukis
2. 4x5x45 mm varžtai
3. Ø 150 / 120 mm plastikinis dūmtraukio adapteris
4. Naudotojo vadovas
5. Dūmtraukio sklendės

### 5.3 Įrenginio montavimas

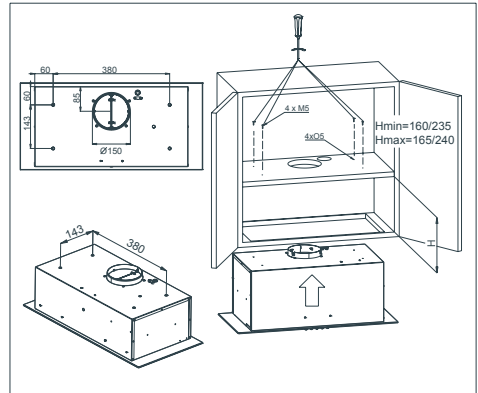
1. Paruoškite spintelę gartraukio montavimui, išpjaukite skylę spintelės dugne pagal brėžinį.

Spintos paruošimas



2. Išimkite tepalo filtrus
3. Atsargiai įstatykite gaubtą į anksčiau išpjautą angą, laikykite gaubtą viena ranka arba paprašykite papildomo asmens pagalbos. Įsukite varžtus / varžtus, pasirinkdami vieną iš montavimo variantų: a - tvirtinimas prie spintelės viršaus, b - tvirtinimas prie spintelės šono.

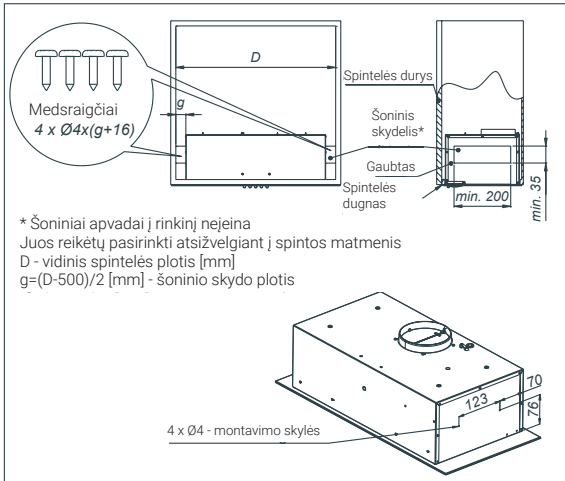
Gaubto montavimas - viršutinio montavimo versija



4. Tvirtindami gaubtą prie spintelės viršaus, spintelės lentynoje paruoškite skylę pagal brėžinyje nurodytus matmenis. Tačiau šoninio varianto atveju šoninius apvadus reikia paruošti taip, kaip aprašyta

## 5 Prietaiso nustatymas

Gaubto montavimas - šoninio montavimo versija



### 5.4 Elektros jungtys

Tinklo įtampa turi atitikti įtampą, nurodytą ant gaubto viduje esančioje plokštelėje. Jei gaubtas turi kištuką, įkiškite jį į kištukinį lizdą, atitinkantį taikomus reikalavimus ir esantį lengvai prieinamoje vietoje. Jei gaubtas neturi kištuko, gaubto montavimo darbus turi atlikti reikiamus įgaliojimus turintis asmuo (pvz., elektrikas).

### 5.5 Saugojimas

- Jeigu prietaiso ilgai nenaudosite, padėkite jį į saugią vietą.
- Patikrinkite, ar prietaisas yra atjungtas nuo elektros tinklo, atvėšęs ir visiškai sausas.
- Prietaisą laikykite vėsioje, sausoje vietoje.
- Saugokite prietaisą nuo vaikų.

### 5.6 Tvarkymas ir transportavimas

- Tvarkydami ir transportuodami prietaisą neškite originalioje pakuotėje. Prietaiso pakuotė apsaugo jį nuo fizinių pažeidimų.
- Nedėkite didelių apkrovų ant prietaiso ar pakuotės. Prietaisas gali būti sugadintas.
- Numetus prietaisą jis neveiks arba sugadins jį visam laikui.

## 6 Trikčių šalinimas

| <b>Trikčių šalinimas</b>        | <b>Priežastis</b>                | <b>Pagalba</b>   |
|---------------------------------|----------------------------------|--|
| Gaminys neveikia.               | Patikrinkite saugiklį.           | Saugiklis gali būti uždarytas, atidarykite jį.                                     |
| Gaminys neveikia.               | Patikrinkite elektros jungtį.    | Tinklo įtampa turėtų būti 220 – 240 V.   |
| Gaminys neveikia.               | Patikrinkite elektros jungtį.    | Patikrinkite, ar kiti jūsų virtuvės gaminiai veikia.                               |
| Apšvietimo lemputė neveikia.    | Patikrinkite elektros jungtį.    | Tinklo įtampa turėtų būti 220 – 240 V.   |
| Apšvietimo lemputė neveikia.    | Patikrinkite lemputės jungiklį.  | Lemputės jungiklis turėtų būti įjungtas.   |
| Apšvietimo lemputė neveikia.    | Patikrinkite lemputes.           | Gaminio lemputės neturėtų būti sugedusios.   |
| Gaminio oro įsiurbimas prastas. | Patikrinkite aliuminio filtrą.   | Aliuminio alyvos filtrą normaliomis sąlygomis reikia valyti bent kartą per mėnesį. |
| Gaminio oro įsiurbimas prastas. | Patikrinkite oro išleidimo angą. | Oro išleidimo dūmtakis turėtų būti „įjungtas“ padėtyje.                            |
| Gaminio oro įsiurbimas prastas. | Patikrinkite anglies filtrą.     | Gaminiam su anglies filtrais paprastai filtrus reikia keisti kas 3 mėnesius.       |

# Avant toute chose, veuillez lire ce manuel d'utilisation !

Chère cliente, cher client,


Merci d'avoir choisi cet appareil Beko. Nous espérons que cet appareil, fabriqué dans des installations modernes et soumis à un processus de contrôle qualité rigoureux, vous offre les meilleures performances possible. C'est pourquoi nous vous recommandons, avant d'utiliser l'appareil, de lire attentivement et complètement ce manuel d'utilisation ainsi que tous les autres documents fournis et de les conserver soigneusement pour une utilisation future. Si vous cédez l'appareil à quelqu'un d'autre, remettez-lui également le manuel d'utilisation. Suivez les instructions en accordant une attention particulière à toutes les informations et les avertissements contenus dans le manuel d'utilisation.

Notez que ce manuel d'utilisation peut également s'appliquer à d'autres modèles. Les différences entre les modèles sont clairement décrites dans le manuel.

## Signification des symboles

Les pictogrammes suivants sont repris tout au long de ce manuel :

 Informations importantes et conseils utiles concernant l'utilisation de l'appareil.

 **AVERTISSEMENT:** Avertissement sur les situations dangereuses concernant la sécurité des biens et des personnes.

 **AVERTISSEMENT:** Avertissement contre le risque d'incendie.

 **AVERTISSEMENT:** Avertissement contre le risque d'électrocution.



Points de collecte sur [www.quefairedemesdechets.fr](http://www.quefairedemesdechets.fr)  
Privilégiez la réparation ou le don de votre appareil !



# 1 Instructions importantes en matière de sécurité et d'environnement

## 1.1 Consignes générales de sécurité

Consignes de sécurité importantes - Lire attentivement et conserver pour référence ultérieure

Cette section contient les consignes de sécurité qui aident à se prémunir contre les risques d'incendie, d'électrocution, d'exposition aux fuites d'énergie à micro-ondes, de dommages corporels ou de dégâts matériels. Le non-respect de ces instructions entraînera l'annulation de toute garantie.

- Les produits Beko sont conformes aux normes de sécurité applicables. Par conséquent, en cas de dommage sur l'appareil ou son câble d'alimentation, le faire réparer ou remplacer par le revendeur, le centre SAV, un spécialiste ou des services habilités afin de prévenir tout danger. Des

réparations défectueuses et non professionnelles peuvent être sources de danger et de risque pour l'utilisateur.

- Cet appareil est conçu pour un usage domestique et des utilisations similaires comme :
  - dans les coins cuisine du personnel dans les magasins, bureaux, et autres environnements de travail ;
  - les fermes
  - Par les clients des hôtels et autres types d'environnements résidentiels ;
  - et dans les chambres d'hôte.
- Utiliser l'appareil uniquement aux fins pour lesquelles il a été conçu, comme décrit dans les présentes instructions.
- Le fabricant n'est pas responsable des dommages résultant d'une mauvaise

# 1 Instructions importantes en matière de sécurité et d'environnement

- installation ou d'une mauvaise utilisation du produit.
- Cet appareil peut être utilisé par des enfants de 8 ans minimum, des personnes à capacités physiques, sensorielles ou mentales réduites et des personnes manquant d'expérience ou de connaissances suffisantes en la matière, à condition qu'elles aient été préparées à un maniement sécurisé de l'appareil et qu'elles aient pleinement conscience des risques encourus.
  - Les enfants n'ont pas le droit de jouer avec l'appareil. Le nettoyage et l'entretien de l'appareil ne doivent pas être effectués par des enfants laissés sans surveillance.
  - La distance minimale entre la surface d'appui des récipients de cuisson sur la plaque de cuisson et la partie la plus basse de votre produit doit être d'au moins 65 cm.
  - Si des instructions relatives à l'installation de la plaque à gaz exigent plus de distance, prenez-les en compte.
  - S'assurer que la source d'alimentation électrique est conforme aux informations spécifiées sur la plaque signalétique de l'appareil.
  - Ne jamais utiliser l'appareil si le câble d'alimentation ou l'appareil lui-même est endommagé.
  - Pour éviter d'endommager le câble d'alimentation, éviter de l'aplatir, de le plier ou même de le frotter contre des bords coupants. Éloigner le câble d'alimentation de toute surface brûlante et des flammes.
  - Utilisez l'appareil uniquement avec une prise de terre.
- AVERTISSEMENT:** Ne branchez pas l'appareil sur le secteur avant la fin de l'in-

# 1 Instructions importantes en matière de sécurité et d'environnement

stallation.

- Placer l'appareil de sorte que la prise soit toujours accessible.
- Ne touchez pas les lampes si elles ont été utilisées pendant une longue période. Elles sont chaudes et risqueraient donc de provoquer des brûlures aux mains.
- Respectez la réglementation des autorités compétentes en matière d'évacuation de l'air évacué (cette mise en garde ne s'applique pas à l'utilisation sans conduit).
- Faites fonctionner votre appareil après avoir posé une casserole, une poêle, etc. sur la plaque de cuisson. Autrement, la température élevée peut provoquer la déformation de certaines pièces de votre produit.
- Éteignez la plaque de cuisson avant d'en retirer la casserole, la poêle, etc.
- Ne laissez pas d'huile chaude sur la plaque de cuisson. Les casseroles contenant de l'huile chaude peuvent s'enflammer.
- Faites attention à vos rideaux et à vos couvertures, car l'huile peut prendre feu pendant la cuisson de certains aliments, comme les frites.
- Le filtre à graisse doit être remplacé au moins une fois par mois. Le filtre à charbon doit être remplacé au moins tous les 3 mois.
- Le produit doit être nettoyé conformément au manuel d'utilisation. Si le nettoyage n'a pas été effectué conformément au manuel d'utilisation, il peut y avoir un risque d'incendie.
- N'utilisez pas de matériaux filtrants ignifuges à la place des filtres actuels.
- Utilisez uniquement des pièces d'origine ou pièces recommandées par le fab-



# 1 Instructions importantes en matière de sécurité et d'environnement

ricant.

- N'utilisez jamais l'appareil sans le filtre et ne retirez pas les filtres lorsque l'appareil est en marche.
- En cas d'apparition d'une flamme, éteignez votre produit et vos appareils de cuisson.
- En cas d'apparition d'une flamme, couvrez la flamme et n'utilisez jamais d'eau pour l'éteindre.
- Débranchez l'appareil avant chaque nettoyage et lorsque l'appareil n'est pas en cours d'utilisation.
- La pression négative dans l'environnement ne doit pas dépasser 4 Pa (4 x 10 bars) lorsque la hotte de la table de cuisson électrique et les appareils fonctionnant avec un autre type d'énergie que l'électricité fonctionnent simultanément.
- Dans l'environnement dans lequel l'appareil est utilisé, les gaz résiduaux des appareils fonctionnant au fioul ou au gaz, tels que le chauffage de la pièce, doivent être totalement isolés ou l'appareil doit être de type étanche.
- Pour le raccordement du conduit, utilisez des tuyaux d'un diamètre de 120 ou 150 mm. Le raccordement du tuyau doit être aussi court que possible et avoir le minimum de coudes que possible.
- Risque d'étranglement ! Conservez tous les emballages hors de portée des enfants.

**ATTENTION:** Les pièces accessibles peuvent devenir chaudes lorsqu'elles sont utilisées avec des appareils de cuisson.

- Ne connectez pas la prise du produit aux canaux d'air qui contiennent d'autres fumées.
- La ventilation de la pièce peut être insuffisante lorsque la hotte de la table

# 1 Instructions importantes en matière de sécurité et d'environnement

de cuisson électrique est utilisée en même temps que les appareils fonctionnant au gaz ou avec d'autres combustibles (ceci peut ne pas s'appliquer aux appareils qui rejettent uniquement l'air dans la pièce).

- Les objets placés sur le produit peuvent tomber. Ne posez aucun objet sur le produit.
- Ne brûlez rien sous votre produit.

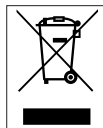
**AVERTISSEMENT:** Retirez les films protecteurs avant d'installer la hotte.

- Ne laissez jamais des grandes flammes nues sous la hotte lorsqu'elle est en fonctionnement.
- Gardez les friteuses en permanence sous surveillance pendant l'utilisation : de l'huile surchauffée peut prendre feu.
- Les pièces détachées d'origine sont disponibles pendant 12 ans, à compter de

la date d'achat du produit.

## 1.2 Conformité avec la Directive DEEE et Mise au rebut des appareils usagés :

Cet appareil est conforme à la directive DEEE. (2012/19/UE). Cet appareil porte le symbole de classification pour les déchets des équipements électriques et électroniques (DEEE).



Ce symbole indique que ce produit ne doit pas être jeté avec les déchets ménagers à la fin de sa vie utile. Les appareils usagés doivent être retournés

au point de collecte officiel pour le recyclage des appareils électriques et électroniques. Pour trouver ces systèmes de collecte, veuillez contacter les autorités locales ou le détaillant auprès duquel vous avez acheté le produit. Chaque ménage joue un rôle important dans la récupération et le recyclage des appareils ménagers usagés. L'élimination appropriée des appareils usagés aide à prévenir les conséquences négatives potentielles pour l'environnement et la santé humaine.

## 1.3 Conformité avec la directive RoHS

L'appareil que vous avez acheté est conforme à la Directive RoHS de l'UE (2011/65/UE). Il ne contient pas de matières dangereuses et interdites spécifiées dans la directive.

# 1 Instructions importantes en matière de sécurité et d'environnement

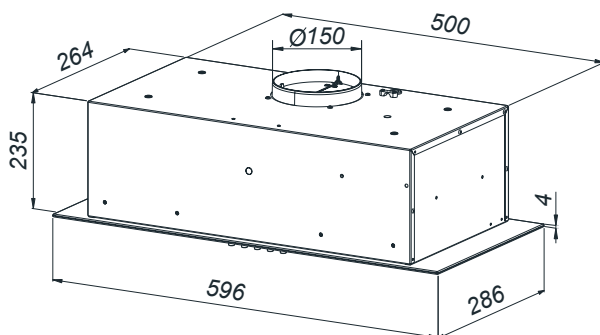
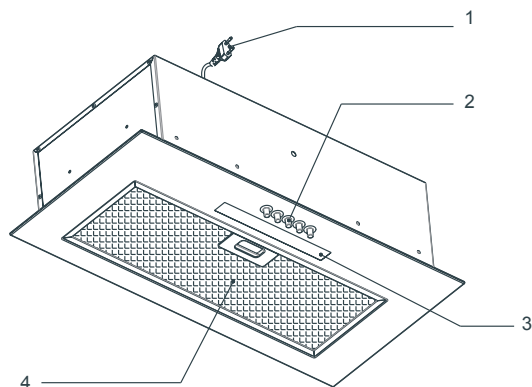
## 1.4 Informations concernant l'emballage



Les matériaux d'emballage du produit sont fabriqués à partir de matériaux recyclables conformément à notre réglementation nationale sur la protection de l'environnement. Ne jetez pas les matériaux d'emballage avec les déchets domestiques et autres déchets. Déposez-les dans l'un des points de collecte de matériaux d'emballage prévus par l'autorité locale.

## 2 Apparence générale

### 2.1 Vue d'ensemble



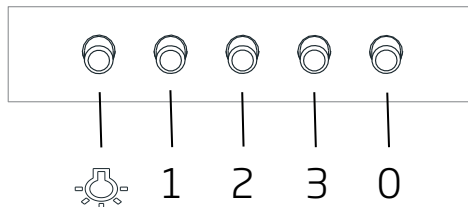
1. Cordon d'alimentation
2. Assemblée de contrôle
3. Lampe
4. Filtrés à huile en aluminium

### 2.2 Données techniques


|                                     |                       |
|-------------------------------------|-----------------------|
| <b>Modèle</b>                       | HNU 61425 B           |
| <b>Tension d'alimentation</b>       | 220-240 V 50 Hz       |
| <b>Puissance de l'ampoule</b>       | 5 W                   |
| <b>Puissance du moteur</b>          | 115 W                 |
| <b>Débit - 3 Niveau</b>             | 415 m <sup>3</sup> /h |
| <b>Moteur de classe d'isolation</b> | Classe F              |
| <b>Classe d'isolation</b>           | Classe I              |

## 3 Fonctionnement de l'appareil

### 3.1 Utilisation du commutateur à bascule



La hotte est équipée d'une commande mécanique.

- Appuyer sur « 0 » - permet de désactiver la hotte.
- Appuyer sur « 1 » - pour faire tourner la hotte à une vitesse minimale.
- Appuyer sur « 2 » - pour faire tourner la hotte à une vitesse moyenne.
- Appuyer sur « 3 » - pour faire tourner la hotte à une vitesse maximale.
- Appuyez sur le bouton  pour allumer l'éclairage. Appuyez à nouveau sur le bouton pour éteindre l'éclairage.


### 3.2 Fonctionnement efficace en termes d'économies d'énergie Utilisation

- Lorsque vous utilisez votre appareil, réglez la vitesse en fonction de l'intensité de la vapeur et de l'odeur afin d'économiser de l'énergie.
- Utilisez les vitesses basses (1-2) dans des conditions normales, et les vitesses élevées (3) pour les odeurs et vapeurs intenses.
- Les lampes situées sur la hotte sont destinées à l'éclairage de la zone de cuisson.
- L'utilisation de ces lampes pour l'éclairage de la pièce entraîne une consommation d'énergie inutile et un éclairage

insuffisant.

- Pour que votre appareil consomme moins d'énergie, faites-le fonctionner à basse vitesse.
- Votre appareil réduit la consommation d'énergie et fonctionne plus efficacement lorsque vous l'alimentez suffisamment en air.
- Configurez votre appareil pour un niveau de puissance d'aspiration intense avant la formation de la vapeur, dans le cas où vous prévoyez la production d'une vapeur dense. Vous réduisez donc la consommation d'énergie de votre appareil en l'utilisant pendant une durée plus courte, puisqu'il est suffisamment alimenté en air.
- Configurez votre appareil pour un niveau de puissance d'aspiration intense avant la formation de la vapeur, dans le cas où vous prévoyez la production d'une vapeur dense. Vous réduisez donc la consommation d'énergie de votre appareil en l'utilisant pendant une durée plus courte, puisqu'il est suffisamment alimenté en air.

### 3.3 Instructions d'utilisation

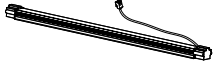
- Votre appareil contient un moteur qui a des vitesses différentes.
- Pour de meilleures performances, nous recommandons d'utiliser des vitesses basses dans des conditions normales et des vitesses élevées en cas fortes odeurs et de vapeur intense.
- Vous pouvez démarrer votre appareil en appuyant sur le bouton de réglage de la vitesse souhaitée. (1, 2, 3)
- Vous pouvez éclairer la zone de cuisson en appuyant sur la lampe (.

## 3 Fonctionnement de l'appareil

### 3.4 Remplacement de la lampe

La bande LED est utilisée dans le produit de 5 W. Avant de commencer tout travail lié au remplacement de l'éclairage, coupez l'alimentation.

Dans le cas d'une hotte équipée d'un panneau LED, le remplacement de la source lumineuse doit être confié à une personne autorisée (par exemple un électricien) ou la panne doit être signalée à un centre de service agréé.

|  |   |
|--|---|
| <b>Ampoule</b>                         |  |
| <b>Puissance de l'ampoule</b>          | 5 W   |
| <b>Support / Prise</b>                 | NS39-G2   |
| <b>Voltage de l'ampoule</b>            | 220 – 240 W   |
| <b>Taille</b>                          | 300 x 26 mm   |
| <b>Flux lumineux</b>                   | 420 lm  |
| <b>Température de couleur corrélée</b> | 3800 K  |

Ce produit contient une source lumineuse de classe d'efficacité énergétique "F".

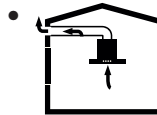


- Avant de remplacer les ampoules, débranchez l'alimentation électrique de la hotte.
- Ne touchez pas les ampoules lorsqu'elles sont chaudes.
- Faites attention à ne pas toucher l'ampoule remplacée directement avec les mains.



Vous pouvez vous procurer des lampes auprès d'agents de service agréés.

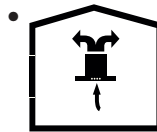
### 3.5 Opération avec raccordement au conduit de fumée



La vapeur est extraite par le conduit de fumée, qui est fixé à la tête de raccordement sur la hotte.

- Le diamètre du conduit de fumées doit être le même que celui de la bague de raccordement. En position horizontale, le tuyau doit avoir une légère pente ascendante (environ 10°) afin que l'air puisse sortir facilement de la pièce.

### 3.6 Fonctionnement sans raccordement au réseau d'évacuation des fumées



L'air est filtré par le filtre à charbon et recirculé dans la pièce. Le filtre à charbon est utilisé lorsqu'il est impossible d'utiliser un conduit de fumée dans la maison.

- En cas d'utilisation sans conduit, retirez les rabats à l'intérieur de l'adaptateur de conduit.
- Retirez le filtre à huile. Pour installer le filtre à charbon, fixez le filtre sur les languettes en le centrant sur la pièce en plastique des deux côtés du corps du ventilateur. Resserrez-le en tournant à droite ou à gauche.
- Remplacez le filtre à huile en aluminium.

## 4 Nettoyage et entretien

Cet appareil doit être régulièrement nettoyé et entretenu. S'il n'est pas nettoyé, sa durée de vie utile peut être compromise. Pour le nettoyage et l'entretien, suivez les instructions contenues dans le manuel.



Avant de procéder au nettoyage et à l'entretien, débranchez le produit ou éteignez l'interrupteur.



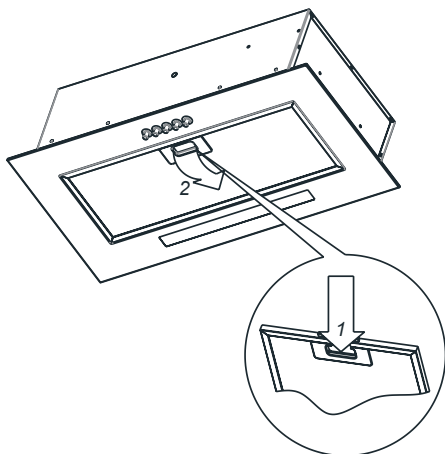
Le non-respect des consignes de nettoyage de cet appareil et de remplacement de ses filtres vous expose à un risque d'incendie. Il est donc recommandé de respecter les consignes de ce manuel. Le fabricant décline toute responsabilité en cas de dommages au moteur ou d'incendie résultant d'une utilisation inappropriée de l'appareil.

Nettoyer en utilisant uniquement un chiffon humidifié avec un détergent liquide neutre. Ne nettoyez pas avec des outils ou des instruments. N'utilisez pas de produits abrasifs. N'utilisez pas d'alcool.

### 4.1 Nettoyage du filtre à huile en aluminium

Ce filtre capte les particules d'huile présentes dans l'air. Il vous est recommandé de nettoyer votre filtre tous les mois dans des conditions normales d'utilisation. Pour ce faire, il faut d'abord retirer les filtres à graisse. Lavez les filtres avec un détergent liquide et rincez-les à l'eau, puis remettez-les en place une fois qu'ils sont secs. Les filtres à graisse peuvent se décolorer au lavage ; c'est normal et

vous n'avez pas besoin de changer votre filtre.



Vous pouvez laver vos filtres à huile en aluminium dans le lave-vaisselle.



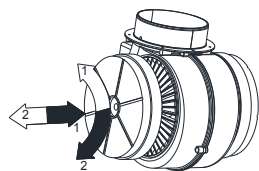
**ATTENTION:** En cas d'utilisation normale, nettoyez votre filtre une fois par mois.

### 4.2 Remplacement du filtre à carbone (mode de circulation de l'air)

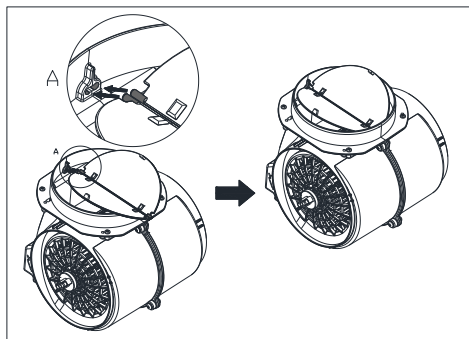
La hotte peut être équipée d'un filtre à charbon actif. Le filtre à charbon est appliqué uniquement dans le cas où la hotte n'est pas reliée au conduit de ventilation.



Symbol Filter installation  
Symbol Filter dismantling



## 4 Nettoyage et entretien



### ATTENTION

- Le filtre à charbon ne doit jamais être lavé.
- Remplacez les filtres à charbon une fois tous les trois mois.
- Vous pouvez obtenir un filtre à charbon actif auprès des services autorisés.



## 5 Installation de l'appareil



**ATTENTION:** Avant de commencer l'installation, lisez les informations de sécurité figurant dans le manuel d'utilisation.



**ATTENTION:** Si l'installation n'est pas effectuée avec des vis et des stabilisateurs conformément à ces instructions, elle peut entraîner un choc électrique.

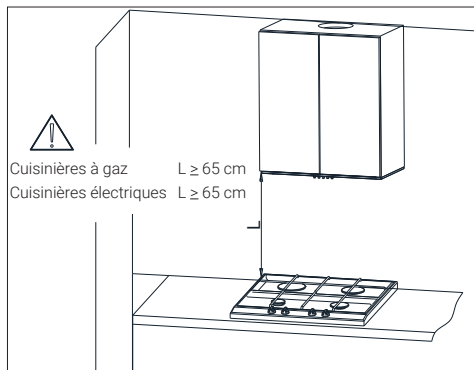
Pour l'installation de la hotte, veuillez contacter le Service Autorisé le plus proche.

Il est de la responsabilité du client de préparer l'emplacement et l'installation électrique de la hotte.

### 5.1 Position de l'appareil

- La distance entre le cuiseur et la hotte doit être prise en compte avant le montage. Cette distance doit être de 65 cm.
- La distance doit être mesurée à partir de la surface de la grille pour les cuisinières à gaz, à partir de la surface du verre pour les cuisinières électriques.

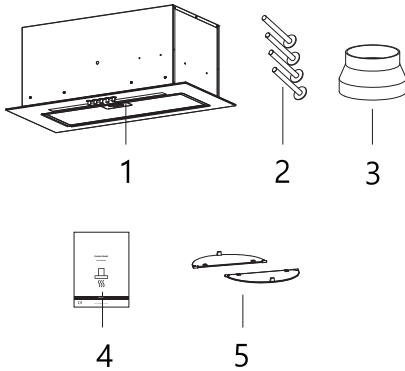
nières à gaz, à partir de la surface du verre pour les cuisinières électriques.





# 5 Installation de l'appareil

## 5.2 Accessoires d'installation

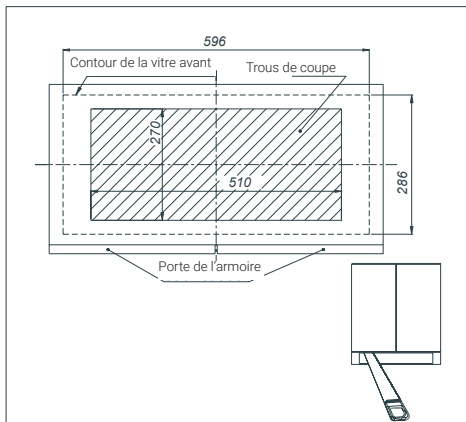


1. Produit
2. Vis de 4x5x35 mm
3. Adaptateur de conduit de fumée en plastique 120/150mm
4. Manuel de l'utilisateur
5. Volets de la soufflante

## 5.3 Montage de l'appareil

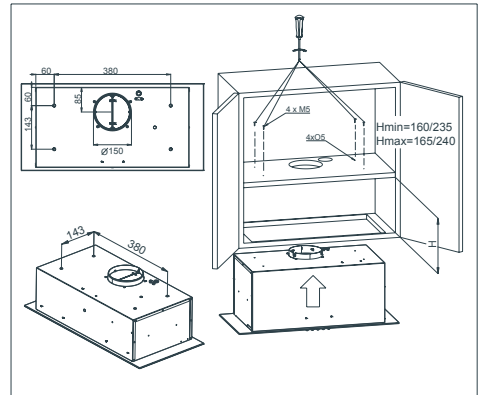
1. Préparez l'armoire pour l'installation de la hotte, découpez le trou dans la partie inférieure de l'armoire conformément au dessin.

Préparation de l'armoire



2. Retirez les filtres à graisse
3. Insérez la hotte dans le trou précédemment découpé avec précaution, en la tenant d'une main ou en demandant de l'aide à une autre personne. Vissez les boulons / vis en choisissant une variante de montage : a- fixation sur le dessus de l'armoire, b- fixation sur le côté de l'armoire.

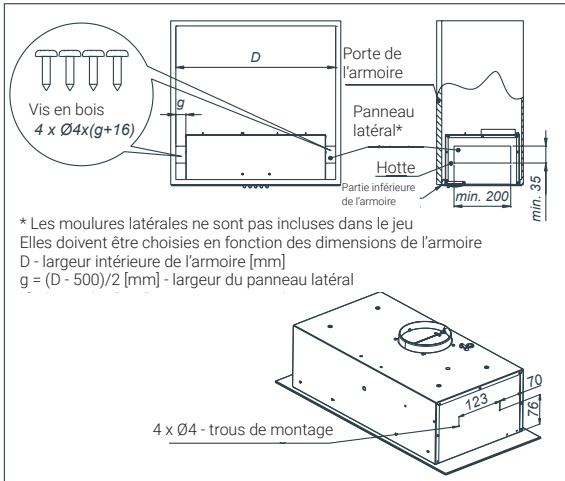
Installation de la hotte - version de montage par le haut



4. Lorsque vous fixez la hotte au-dessus de l'armoire, préparez des trous dans l'étagère de l'armoire selon les dimensions indiquées sur le dessin. Toutefois, dans le cas d'une variante latérale, les jupes latérales doivent être préparées comme indiqué dans la section

## 5 Installation de l'appareil

Installation de la hotte - version de montage latéral



\* Les moulures latérales ne sont pas incluses dans le jeu  
Elles doivent être choisies en fonction des dimensions de l'armoire  
 $D$  - largeur intérieure de l'armoire [mm]  
 $g = (D - 500)/2$  [mm] - largeur du panneau latéral

### 5.4 Raccordements électriques

La tension du réseau doit correspondre à la tension indiquée sur la plaque placée à l'intérieur de la hotte. Si la hotte est équipée d'une fiche, insérez-la dans la prise de courant conforme aux exigences applicables et située dans un endroit facilement accessible. Si la hotte n'est pas équipée d'une prise, l'installation de la hotte doit être effectuée par une personne disposant des autorisations requises (par exemple un électricien).

### 5.5 Rangement

- Si vous ne comptez pas utiliser votre appareil pendant un certain temps, veuillez le ranger soigneusement.
- Veillez également à ce que l'appareil soit débranché, complètement refroidi et entièrement sec.
- Conservez l'appareil dans un endroit frais et sec.

- Tenez l'appareil hors de la portée des enfants.

### 5.6 Manipulation et transport

- Pendant la manipulation et le transport, portez toujours l'appareil dans son emballage d'origine. L'emballage de l'appareil le protège des dommages physiques.
- Ne placez pas de charges lourdes sur l'appareil ou sur l'emballage. Cela pourrait l'endommager.
- Toute chute de l'appareil peut le rendre non opérationnel ou l'endommager de façon permanente.

## 6 Dépannage

| Dépannage                                   | Problème                              | Solution   |
|---|---------------------------------------|--|
| L'appareil ne fonctionne pas.               | Vérifiez le fusible.                  | Il se peut que votre fusible soit coupé ; remettez-le en marche.   |
| L'appareil ne fonctionne pas.               | Vérifiez le branchement.              | La tension du secteur doit être comprise entre 220 et 240 V.   |
| L'appareil ne fonctionne pas.               | Vérifiez le branchement.              | Vérifiez si les autres appareils de votre cuisine fonctionnent ou pas.                                   |
| L'ampoule ne fonctionne pas.                | Vérifiez le branchement.              | La tension du secteur doit être comprise entre 220 et 240 V.   |
| L'ampoule ne fonctionne pas.                | Vérifiez l'interrupteur de l'ampoule. | L'interrupteur de l'ampoule doit être en position « Allumé ».  |
| L'ampoule ne fonctionne pas.                | Vérifiez les ampoules.                | Les ampoules de l'appareil ne doivent pas être défectueuses.   |
| L'appareil n'aspire pas l'air correctement. | Vérifiez le filtre en aluminium.      | L'aluminium du filtre doit être nettoyé au moins une fois par mois en conditions d'utilisation normales. |
| L'appareil n'aspire pas l'air correctement. | Vérifiez l'évent d'aération.          | L'évent d'aération doit être en position « Marche ».   |
| L'appareil n'aspire pas l'air correctement. | Vérifiez le filtre à charbon.         | Pour les appareils dotés d'un filtre à charbon, celui-ci doit normalement être remplacé tous les 3 mois. |

# Lees eerst deze gebruikershandleiding!

Zeer gewaardeerde klant,

Bedankt voor uw voorkeur voor dit Beko-toestel. Wij hopen dat u de beste resultaten haalt uit uw toestel dat met hoge kwaliteit en de modernste technologie is geproduceerd. Lees daarom deze gehele gebruikershandleiding en alle andere bijgeleverde documenten zorgvuldig door voordat u het apparaat gaat gebruiken en bewaar deze ter referentie in de toekomst. Als u het product aan iemand anders geeft, overhandig dan ook de gebruikershandleiding. Volg de instructies op door op alle informatie en waarschuwingen te letten in de gebruikershandleiding.

Vergeet niet dat deze gebruikershandleiding ook van toepassing kan zijn op andere modellen. Verschillen tussen de modellen worden expliciet beschreven in de handleiding.

## Betekenis van de symbolen

De volgende symbolen worden gebruikt in de verschillende delen van deze handleiding:



Belangrijke informatie en nuttige tips over het gebruik.



**WAARSCHUWING:** Waarschuwingen voor levensgevaarlijke situaties en schade aan eigendommen.



**WAARSCHUWING:** Waarschuwing voor brandgevaar.



**WAARSCHUWING:** Gevaar voor elektrische schok.



# 1 Belangrijke veiligheids- en milieu-instructies

## 1.1 Algemene veiligheid

Belangrijke veiligheidsinstructies. Lees zorgvuldig en bewaar ter referentie in de toekomst Dit deel bevat veiligheidsinstructies die u beschermen tegen het risico op brand, elektrische schok, blootstelling aan lekkende magnetronstralen, persoonlijk letsel of materiële schade. Het niet opvolgen van deze instructies maakt elke garantie ongeldig.

- Beko-producten voldoen aan de van toepassing zijnde veiligheidsnormen; daarom moet in het geval van beschadiging aan het apparaat of het stroom snoer dit worden gerepareerd of vervangen door de dealer, het servicecentrum of een specialist en erkende service om elk gevaar te vermijden. Verkeerd of niet-gekwificeerd reparatiewerk kan gevaarlijk zijn en een risico

vormen voor de gebruiker.

- Dit apparaat is bedoeld voor huishoudelijk gebruik en vergelijkbare toepassingen zoals:
  - personeelskeukens in winkels, kantoren en andere werkomgevingen;
  - boerderijen;
  - bij klanten in hotels en andere types van overnachtingsomgevingen;
  - omgevingen van het type bed-and-breakfast.
- Gebruik dit apparaat uitsluitend voor het beoogde doel zoals beschreven in deze handleiding.
- De producent kan niet aansprakelijk worden gehouden voor schade die is ontstaan door ongeschikte installaties of onjuist gebruik van het product.
- Dit apparaat kan worden gebruikt door kinderen vanaf 8 jaar en personen met verminderde fysieke,

# 1 Belangrijke veiligheids- en milieu-instructies

zintuiglijke of mentale vermogens, of met een gebrek aan ervaring en kennis, als deze onder toezicht staan of instructies hebben gekregen betreffende het veilige gebruik van het apparaat en op de hoogte zijn van de betrokken gevaren.

- Laat kinderen niet met het apparaat spelen. Reiniging en gebruikersonderhoud dienen niet zonder toezicht door kinderen uitgevoerd te worden.
- De minimale afstand tussen het ondersteunende oppervlak voor het kookgerei op de kookplaat en het laagste gedeelte van uw product moet minstens 65 cm zijn.
- Als de installatie-instructies voor het gasfornuis een grotere afstand aangeeft, dient hier rekening mee te worden gehouden.
- Zorg ervoor dat uw netstroom overeenkomt met

de informatie die staat op het typeplaatje van het apparaat.

- Gebruik het apparaat nooit als de stroomkabel of het apparaat zelf beschadigd is.
- Vermijd schade aan de stroomkabel door knijpen, buigen of wrijven langs scherpe randen. Houd de stroomkabel uit de buurt van hete oppervlakken en open vuur.
- Gebruik het apparaat uitsluitend met een geaard stopcontact.

**WAARSCHUWING:** Sluit het apparaat niet op het stroomnetwerk aan totdat de installatie volledig is afgerond.

- Plaats het apparaat zodanig dat de stekker altijd toegankelijk is.
- De verlichting na langdurige werking niet aanraken. De lampen zijn heet en kunnen uw handen verbranden.

# 1 Belangrijke veiligheids- en milieu-instructies

- Volg de voorschriften op die door de deskundige autoriteiten zijn bepaald wat betreft de luchtafvoer (deze waarschuwing is niet van toepassing bij gebruik zonder rookkanaal).
- Zet het apparaat aan nadat er een pan op de kookplaat is gezet. Anders kan de hoge warmte in sommige delen van uw product vervorming veroorzaken.
- Zet de kookplaat uit voordat u de pan van de kookplaat haalt.
- Laat geen hete olie achter op de kookplaat. Pannen met hete olie kunnen in brand vliegen.
- Let op uw gordijnen en andere afdekkingen, want olie kan bij de bereiding van bijvoorbeeld patat in brand vliegen.
- Vetfilters moeten minstens eens per maand worden vervangen. Koolstoffilters moeten minstens eens per 3 maanden worden vervangen.
- Het product moet worden gereinigd in overeenstemming met de gebruikershandleiding. Als bij reiniging de gebruikershandleiding niet wordt opgevolgd, kan er brandgevaar ontstaan.
- Gebruik in plaats van het huidige filter geen filtermaterialen die niet vuurbestendig zijn.
- Gebruik alleen de originele onderdelen of onderdelen aanbevolen door de fabrikant.
- Gebruik het product niet zonder filter en verwijder de filters niet als het product in werking is.
- In het geval er vlammen ontstaan, schakelt u uw apparaat en kooktoestellen uit.
- Bedek de vlammen als deze ontstaan en blus ze nooit met water.
- Trek de stekker van het ap-

## 1 Belangrijke veiligheids- en milieu-instructies

paraat uit het stopcontact vóór elke reiniging en wanneer het apparaat niet in gebruik is.

- De negatieve druk in de ruimte mag niet hoger zijn dan 4 Pa (4 x 10 bar) als de afzuigkap voor de elektrische kookplaat en apparaten op een andere energiebron werken, maar de stroom tegelijkertijd in werking is.
- In de ruimte waar het apparaat wordt gebruikt, moeten de uitlaten van apparaten die op olie of gas werken, zoals een kamerverwarming, volledig worden geïsoleerd of het apparaat moet van een hermetisch afgesloten type zijn.
- Gebruik om het rookkanaal aan te sluiten pijpen met een diameter van 120 of 150 mm. De pijp aansluiting moet zo kort mogelijk zijn en zo min mogelijk ellebogen hebben.
- Verstikkingsgevaar! Houd

alle verpakkingsmaterialen uit de buurt van kinderen.

**LET OP:** Toegankelijke delen kunnen indien gebruikt met kookapparaten heet worden.

- De afvoer van het product mag niet worden aangesloten op luchtkanalen die een ander soort rook bevatten.
- Er kan onvoldoende ventilatie in de ruimte zijn als de afzuigkap voor de elektrische kookplaat tegelijk wordt gebruikt met de toestellen die op gas of andere brandstoffen werken (dit is mogelijk niet van toepassing op apparaten die de lucht uitsluitend terug in de ruimte brengen).
- Op het product geplaatste voorwerpen kunnen vallen. Plaats geen voorwerpen op het product.
- Flambeer niet onder uw product.

**WAARSCHUWING:** Verwijder de beschermende folie vo-



# 1 Belangrijke veiligheids- en milieu-instructies

ordat u de afzuigkap installeert.

- Zorg tijdens de werking dat er zich onder de afzuigkap nooit hoge vlammen bevinden.
- Frituurpannen moeten tijdens gebruik voortdurend onder toezicht staan: oververhitte olie kan in brand vliegen.

## 1.2 Naleving van de WEEE-norm en verwerking van afvalproducten:

Dit product voldoet aan de WEEE-norm van de EU (2012/19/EU). Dit product heeft een classificatiesymbool voor verwerking van elektrische en elektronische apparatuur (WEEE).



Dit symbool geeft aan dat dit product niet met ander huishoudelijk afval mag worden weggegooid aan het einde van zijn levensduur. Het gebruikte

apparaat moet worden geretourneerd naar het officiële inzamelpunt voor recycling van elektrische en elektronische apparaten. Om deze inzamelpunten te vinden kunt u contact opnemen met uw lokale autoriteiten of detailhandelaar waar het product werd verkocht. Ieder huishouden voert een belangrijke rol uit in terugwinnen en recycling van oude apparatuur. Een juiste afvalbehandeling levert een bijdrage ter voorkoming van de negatieve gevolgen voor het milieu en de volksgezondheid.

## 1.3 Naleving van de RoHS-richtlijn

Het door u aangekochte product voldoet aan de EU RoHS-norm (2011/65/EU). Het bevat geen schadelijke en verboden materialen die in de norm zijn vermeld.

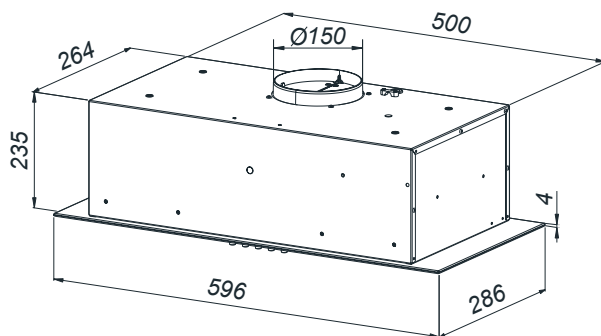
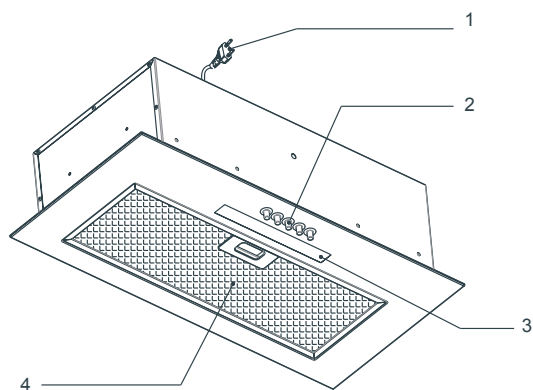
## 1.4 Verpakkingsinformatie



Verpakkingsmaterialen van het product zijn gemaakt uit recycleerbare materialen in overeenstemming met onze nationale milieuverordeningen. Gooi de verpakkingsmaterialen niet samen met het huishoudelijk afval of ander afval weg. Breng ze naar de inzamelpunten voor verpakkingsmaterialen aangewezen door de lokale instanties.

## 2 Algemeen uiterlijk

### 2.1 Overzicht



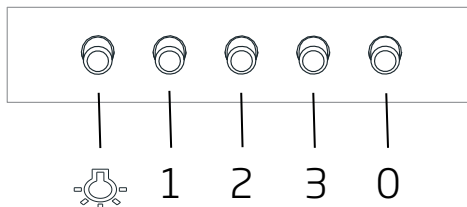
1. Netsnoer
2. Bedieningspaneel
3. Verlichting
4. Aluminium vetfilter

### 2.2 Technische gegevens


|                                |                       |
|--------------------------------|-----------------------|
| <b>Model</b>                   | HNU 61425 B           |
| <b>Toevoerspanning</b>         | 220-240 V 50 Hz       |
| <b>Lampvermogen</b>            | 5 W                   |
| <b>Motorvermogen</b>           | 115 W                 |
| <b>Luchtstroom – 3. Niveau</b> | 415 m <sup>3</sup> /h |
| <b>Motor isolatieklasse</b>    | KLASSE F              |
| <b>Isolatieklasse</b>          | KLASSE II             |

## 3 Het gebruik van het apparaat

### 3.1 Het gebruik van de tuimelschakelaar



De kap is uitgerust met een mechanische bediening.

- Druk op "0" om de afzuigkap uit te schakelen.
- Druk op "1" om de afzuigkap in te schakelen aan een minimumsnelheid.
- Druk op "2" om de afzuigkap in te schakelen aan een minimumsnelheid.
- Druk op "3" om de afzuigkap in te schakelen aan een maximumsnelheid.
- Druk op de knop  om de lichten uit te schakelen. Druk de knop opnieuw in om de verlichting uit te schakelen.

### 3.2 Energie-efficiënt gebruik

- Wanneer u uw apparaat gebruikt, moet u de snelheidsinstellingen aanpassen aan de intensiteit van de damp en de geur, om energie te besparen.
- Gebruik lage snelheden (1-2) onder normale omstandigheden, en hoge snelheden (3) voor intense geur en damp.
- De lampen op de afzuigkap zijn geplaatst voor het verlichten van de kookzone.
- Het gebruik ervan voor milieuverlichting moet leiden tot onnodige energie-uitgaven en onvoldoende verlichting.
- Om uw apparaat minder energie te doen verbruiken, moet u het aan het laagste snelheidsniveau inschakelen.

- Uw apparaat zal het energieverbruik verminderen aangezien het efficiënter zal werken als u voldoende luchtinlaat voorziet.
- Stel uw apparaat in op het intense zuigvermogensniveaus voor de vorming van stoom, in situaties waar u weet dat er veel stoom zal ontstaan. U kunt uw energieverbruik dus verminderen door uw apparaat gedurende kortere perioden te gebruiken aangezien het voldoende luchtinlaat zal hebben.
- Houd de deksels van kookgerei gesloten om de evolutie van stoom te verminderen.

### 3.3 De bediening van de afzuigkap

- Uw toestel bevat een motor met verschillende snelheden.
- Voor betere prestaties raden wij aan om lage snelheden te gebruiken onder normale omstandigheden en hoge snelheden in geval van sterke geuren en intense dampen.
- U kunt uw apparaat starten door op de gewenste snelheidsinsteltoets te drukken. (1, 2, 3).
- U kunt het kookgedeelte verlichten door op de lamp  te drukken.

### 3.4 Vervanging van de lamp

De led-strook wordt gebruikt in het product 5 W. Voor de start van de vervanging van de verlichting moet u de stroom ontkoppelen.

In het geval van een afzuigkap met een led-paneel moet het licht worden vervangen door een correct gecertificeerd persoon (bv. een electricien) of moet de fout worden gemeld aan een geautoriseerd servicecentrum.

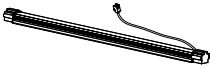
## 3 Het gebruik van het apparaat



- U moet de stroomtoevoer van de afzuigkap uitschakelen voor u de lampen vervangt.
- Raak de lampen niet aan als ze warm zijn.
- Zorg ervoor de vervangen lamp niet rechtstreeks aan te raken met de handen.

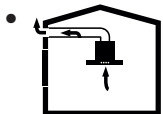


U kunt lampen kopen bij geautoriseerde service vertegenwoordigers.

|                                       |   |
|---------------------------------------|---|
| <b>Lamp</b>                           |  |
| <b>Lampvermogen</b>                   | 5 W   |
| <b>Houder / Stopcontact</b>           | NS39-G2   |
| <b>Lampspanning</b>                   | 220 – 240 W   |
| <b>Afmeting</b>                       | 300 x 26 mm   |
| <b>Lichtstroom</b>                    | 420 lm  |
| <b>Gecorreleerde kleurtemperatuur</b> | 3800 K  |

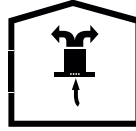
Dit product bevat een lichtbron van energie efficiëntieklasse "F".

### 3.5 Bediening met schouwaansluiting



- De damp wordt afgezogen via het rookkanaal, dat aan de aansluitkop op de kap wordt bevestigd.
- De diameter van het rookkanaal moet gelijk zijn aan de aansluitring. Bij een horizontale opstelling moet de buis een lichte opwaartse helling hebben (ongeveer 10°), zodat de lucht gemakkelijk de ruimte kan verlaten.

### 3.6 Bediening zonder schouwaansluiting



- De lucht wordt door het koolstoffilter gefilterd en in de ruimte gerecirculeerd. Koolstoffilter wordt gebruikt wanneer het onmogelijk is om een rookgasafvoer in huis te gebruiken.
- Bij gebruik zonder afvoer verwijdert u de kleppen in de rookgasadapter.
- Het aluminium vetfilter verwijderen. Om het koolstoffilter te installeren, plaatst u het filter op de lipjes door het te centreren op het kunststofstuk aan beide zijden van het ventilatorhuis. draai het vast door naar rechts of naar links te draaien.
- Het aluminium vetfilter vervangen.

## 4 Reiniging en onderhoud

«Het apparaat moet regelmatig worden gereinigd en onderhouden. Als het apparaat niet schoon wordt gehouden, zal dit de nuttige levensduur van het apparaat beïnvloeden. Volg de instructies in de handleiding voor de reiniging en het onderhoud.»



Trek de stekker uit het stopcontact of zet de schakelaar uit voordat u het product reinigt en onderhoudt.

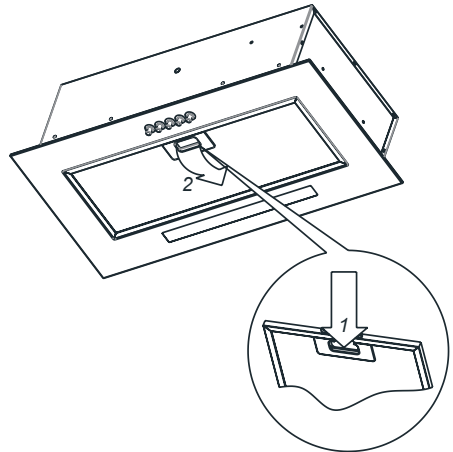


Niet-naleving van de voorzieningen geassocieerd met de reiniging van het apparaat en de vervanging van de filters kan resulteren in brandrisico. Om die reden is het aanbevolen de hier vermelde richtlijnen te volgen. De fabrikant is niet verantwoordelijk voor schade aan de motor of brand veroorzaakt door een incorrect gebruik.

Reinig uitsluitend met een doek die is vochtig gemaakt in een neutraal reinigingsmiddel. Niet reinigen met gereedschap of instrumenten. Gebruik geen schurende producten. Gebruik geen alcohol.

### 4.1 Reinigen van aluminium oliefilter

Dit filter houdt de oliedeeltjes in de lucht vast. Aluminium oliefilters kunnen van kleur veranderen als ze worden gewassen; dit is normaal en vereist geen vervanging van uw aluminium oliefilters.



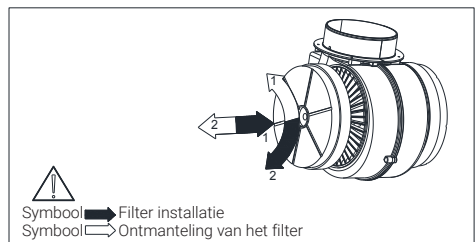
U mag het aluminium vetfilter ook wassen in de wasmachine.



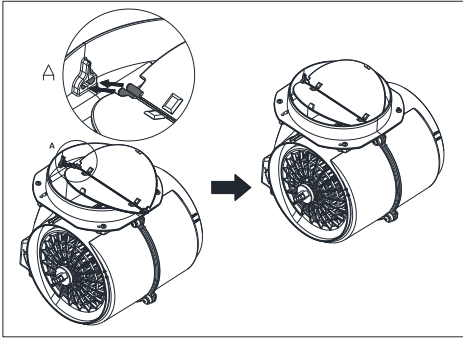
**OPGELET:** Bij normaal gebruik dient u uw aluminium vetfilter één keer per maand te reinigen.

### 4.2 Vervanging van de koolstoffilters

Geurverwijderende filters bevatten houtskool (actieve kool). Vetfilters moeten in het product worden geïnstalleerd, ongeacht of er al dan niet koolstoffilters worden gebruikt.



## 4 Reiniging en onderhoud



### OPGELET



- Koolstoffilter mag nooit worden gewassen.
- Vervang de koolstoffilters eens in de 3 maanden.
- Het koolstoffilter is verkrijgbaar bij de geautoriseerde diensten.

## 5 De installatie van het apparaat



**WAARSCHUWING:** Lees de veiligheidsinformatie in de gebruikershandleiding voordat u met de installatie begint.



**WAARSCHUWING:** Het niet installeren met schroeven en stabilisatoren in overeenstemming met deze instructies kan leiden tot elektrische schokken.

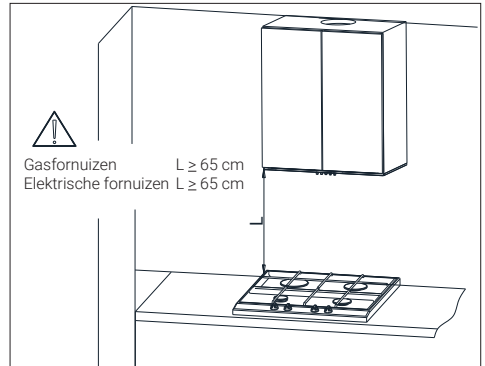
Neem voor de installatie van de kap contact op met de dichtstbijzijnde geautoriseerde service.

Het is de verantwoordelijkheid van de klant om de locatie en de elektrische installatie van de kap voor te bereiden.

### 5.1 Positie van het apparaat

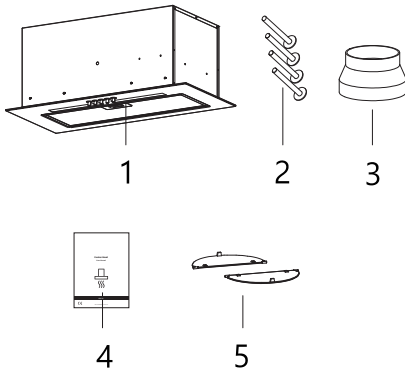
- De afstand tussen het kooktoestel en de afzuigkap moet vóór de montage in acht worden genomen. Deze afstand moet 65 cm bedragen.
- Bij gasfornuizen moet de afstand tot het oppervlak van het rooster worden

gemeten, van het glazen oppervlak voor elektrische fornuizen.



# 5 De installatie van het apparaat

## 5.2 Installatieaccessoires

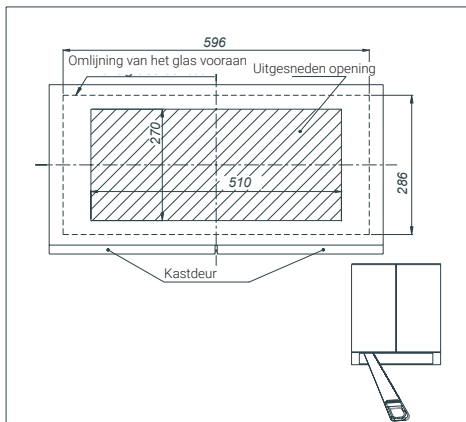


1. Afzuigkap
2. 4x5x35 mm schroef
3.  $\varnothing 150 / \varnothing 120$  plastic adapter
4. Gebruikershandleiding
5. Ventilatiekleppen

## 5.3 Installatie van het apparaat

1. Bereid de kast voor op de installatie van de afzuigkap, snijd de opening in de onderzijde van de kast zoals aangegeven in de tekening.

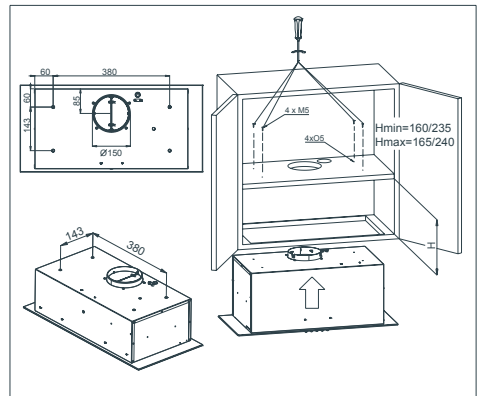
Vorbereiding van de kast



2. Verwijder de vetfilters

3. Voer de afzuigkap voorzichtig in de nauwkeurig uitgesneden opening, houd de afzuigkap met een hand vast of vraag een bijkomende persoon om hulp. Schroef de bouten / schroeven vast, waarbij u opteert voor een montage a-bevestiging aan de bovenzijde van de kast of b-bevestiging aan de zijkant van de kast.

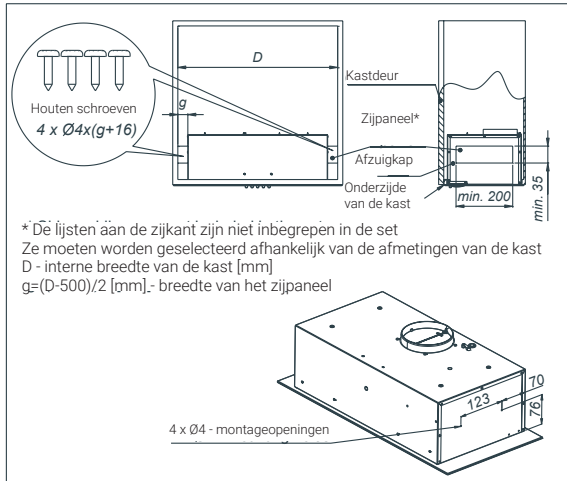
Installatie van de afzuigkap - versie met montage aan de bovenzijde



4. Wanneer u de afzuigkap aan de bovenzijde van de kast bevestigt, moet u de openingen in de legplank van de kast voorbereiden in overeenstemming met de afmetingen zoals aangetoond in de tekening. Hoewel, in het geval van de montage aan de zijkant moeten de zijplaten worden voorbereid zoals beschreven in

## 5 De installatie van het apparaat

Installatie van de afzuigkap - versie met montage aan de zijkanten



### 5.4 Elektrische aansluitingen

De netvoeding moet overeenstemmen met de spanning vermeld op het plaatje in de afzuigkap. Als de afzuigkap is voorzien van een stekker moet u deze in een stopcontact steken dat conform is met de geldige vereisten en dat gemakkelijk toegankelijk is. Als de afzuigkap niet voorzien is van een stekker moet de installatie van de afzuigkap worden uitgevoerd door een geautoriseerde persoon (bijv. een electricien).

### 5.5 Opslag

- Als u van plan bent het apparaat gedurende een lange periode niet te gebruiken, ruim het dan zorgvuldig op.
- Zorg ervoor dat het apparaat los is van het stopcontact, volledig is afgekoeld en compleet droog is.
- Bewaar het apparaat op een koele en droge plaats.

- Bewaar het apparaat buiten het bereik van kinderen.

### 5.6 Hantering en transport

- Wanneer u het apparaat hanteert en verplaatst, moet u het in de originele verpakking dragen.
- De verpakking van het apparaat beschermt het tegen fysieke schade.
- Plaats geen zware lasten op het apparaat of op de verpakking. Het apparaat kan worden beschadigd.



## 6 Probleemoplossing

| <b>Probleemoplossing</b>                  | <b>Reden</b>                            | <b>Help</b>   |
|---|---|---|
| Het product werkt niet.                   | Controleer uw zekering.                 | Uw zekering is mogelijk afgesloten, schakel ze in.  |
| Het product werkt niet.                   | Controleer de elektrische aansluiting.  | De netspanning moet tussen 220-240 V bedragen.  |
| Het product werkt niet.                   | Controleer de elektrische aansluiting.  | Controleer of de andere producten in uw keuken werken.  |
| De lamp werkt niet.                       | Controleer de elektrische aansluiting.  | De netspanning moet tussen 220-240 V bedragen.  |
| De lamp werkt niet.                       | Controleer de schakelaar van de lamp.   | De lampschakelaar moet in de "Aan" positie staan.   |
| De lamp werkt niet.                       | Controleer de lampen.                   | De lampen van het product mogen niet defect zijn.   |
| De luchtinlaat van het product is slecht. | Controleer het aluminium filter.        | Het aluminium oliefilter moet één maal per maand worden gewassen bij normaal gebruik.                 |
| De luchtinlaat van het product is slecht. | Controleer het luchtuitlaat rookkanaal. | Het luchtuitlaat rookkanaal moet in de "Aan" positie staan.   |
| De luchtinlaat van het product is slecht. | Controleer het koolstoffilter.          | Voor producten met koolstoffilters moet het filter normaal gezien elke drie maanden worden vervangen. |

### **Slijtage door normaal gebruik**

U heeft een Beko of Grundig Groot huishoudelijk product gekocht waarvan u bij goed gebruik vele jaren plezier kunt hebben. Goed gebruik betekent dat u de instructies in de gebruiksaanwijzing toepast, vooral die over de wijze van gebruik en onderhoud. Dit is erg belangrijk voor een goede werking van het product, ook op de lange termijn. Daarnaast moet u er rekening mee houden dat elk product slijtagegevoelige onderdelen bevat. Sommige onderdelen slijten pas nadat de normale levensduur van het product voorbij is. Andere onderdelen slijten eerder, al voordat de normale levensduur van het product voorbij is. Het is met die onderdelen net als met een auto: ruitenwissers en banden moeten vaak al na enkele jaren worden vervangen, terwijl de auto zelf nog heel veel jaren mee kan.

Bij elektrisch-huishoudelijke apparaten kan bijvoorbeeld worden gedacht aan de volgende slijtagegevoelige onderdelen:

- bewegende delen (zoals motor, scharnier, wieltjes)
- elektronica-modules (zoals printplaat, sensoren, verlichting)
- kunststof- en rubberen delen (zoals deurrubber, reservoirs, geleiders)
- afdichtingen (slangen)
- verwarmingselementen
- lagers

Dit soort onderdelen slijt vaak eerder dan u van het totale product verwacht. Die eerdere slijtage is normaal, net als bij auto-onderdelen. De kwaliteit van het product is daardoor niet minder. De kosten van vervanging of reparatie van die onderdelen zijn daarom voor rekening van u als gebruiker van het product. Afhankelijk van de omstandigheden kan er voor de verkoper altijd reden zijn om de kosten niet of slechts gedeeltelijk aan u in rekening te brengen. Als sprake is van abnormale slijtage bij normaal gebruik zijn de kosten sowieso voor rekening van de verkoper.

Houdt er rekening mee dat de levensduur van een product afhangt van hoe vaak u het gebruikt, hoe u het gebruikt en waar u het product gebruikt.

## Bitte lesen Sie zunächst diese Anleitung!

Sehr geehrte Kundin, sehr geehrter Kunde,

Vielen Dank, dass Sie sich für dieses Gerät der Marke Beko entschieden haben. Wir sind überzeugt, dass Sie mit diesem Gerät, das mit den höchsten Qualitätsanforderungen und modernster Technologie hergestellt wurde, beste Ergebnisse erzielen werden. Bitte lesen Sie die gesamte Bedienungsanleitung und alle anderen Begleitdokumente aufmerksam, bevor Sie das Gerät verwenden; bewahren Sie sie zum künftigen Nachschlagen sicher auf. Wenn Sie das Gerät an jemanden weitergeben, händigen Sie ihm bitte auch diese Anleitung aus. Befolgen Sie die Anweisungen, indem Sie alle Informationen und Warnhinweise in der Bedienungsanleitung beachten.

Bitte denken Sie daran, dass diese Bedienungsanleitung eventuell für mehrere Modelle geschrieben wurde. Unterschiede zwischen den Modellen werden in der Anleitung klar und deutlich beschrieben.

## Bedeutung der Symbole

Folgende Symbole werden in den verschiedenen Abschnitten dieser Anleitung verwendet:



Wichtige Informationen und nützliche Hinweise zur Verwendung.



**WARNUNG:** Warnhinweise zu gefährlichen Situationen im Hinblick auf die Sicherheit von Leib, Leben und Eigentum.



Warnung vor Brandgefahr.



Warnung vor Stromschlägen.



Schutzklasse gegen Stromschläge.



# 1 Wichtige Sicherheits- und Umwelanweisungen

## 1.1 Allgemeine Sicherheit

Wichtige Sicherheitsanweisungen sorgfältig lesen und zum künftigen Nachschlagen aufbewahren

Dieser Abschnitt enthält Sicherheitsanweisungen, die beim Schutz vor Personen- und Sachschäden, Bränden, Stromschlägen und dem Austreten von Mikrowellenenergie helfen. Bei Nichtbeachtung dieser Anweisungen erlischt die Gewährleistung.

- Beko-Produkte stimmen mit geltenden Sicherheitsstandards überein; daher sollten Gerät oder Netzkabel zur Vermeidung von Gefahren im Falle von Schäden durch den Händler, ein Kundencenter oder einen spezialisierten, autorisierten Serviceanbieter repariert oder ersetzt werden. Fehlerhafte oder unqualifizierte Reparatu-

ren können Gefahren und Risiken für den Benutzer verursachen.

- Dieses Gerät ist für den Einsatz in Haushalten und ähnlichen Bereichen vorgesehen, wie:
  - In Betriebsküchen, Läden, Büros und anderen Arbeitsumgebungen;
  - Bauernhöfen;
  - Von Gästen in Hotels und anderen Wohnumgebungen;
  - Pensionen und Jugendherbergen.
- Das Gerät darf nur für seinen in dieser Anleitung beschriebenen vorgesehenen Zweck verwendet werden.
- Der Hersteller haftet nicht für Schäden, die auf unsachgemäße Installation oder fehlerhaften Gebrauch zurückzuführen sind.
- Das Gerät darf nur dann von Kindern ab 8 Jahren

# 1 Wichtige Sicherheits- und Umwelanweisungen

und Personen mit körperlichen oder geistigen Einschränkungen genutzt werden, wenn diese beaufsichtigt werden oder gründlich über den richtigen und sicheren Umgang mit dem Gerät aufgeklärt wurden und sich sämtlicher möglicher Gefahren bewusst sind.

- Kinder dürfen nicht mit dem Gerät spielen. Reinigungs- und Wartungsarbeiten dürfen nicht unbeaufsichtigt von Kindern ausgeführt werden.
- Der Abstand zwischen der Stützfläche für Kochgeschirr auf dem Kochfeld und dem niedrigsten Teil der Abzugshaube muss mindestens 65 cm betragen.
- Falls die Anweisungen zur Installation eines Gasherdes einen größeren Abstand angeben, ist dieser einzuhalten.
- Stellen Sie sicher, dass

Ihre Stromversorgung mit den Angaben am Typenschild des Gerätes übereinstimmt.

- Benutzen Sie das Gerät niemals, wenn das Netzkabel oder das Gerät selbst beschädigt ist.
- Vermeiden Sie Schäden am Netzkabel, indem Sie es nicht quetschen, knicken oder über scharfe Kanten ziehen. Halten Sie das Netzkabel von heißen Oberflächen und offener Flamme fern.
- Verwenden Sie das Gerät nur mit einer geerdeten Steckdose.

**WARNUNG:** Schließen Sie das Gerät erst nach vollständig abgeschlossener Installation an das Stromnetz an.

- Stellen Sie das Gerät so auf, dass der Netzstecker immer zugänglich ist.
- Berühren Sie die Lampen nicht, falls sie lange Zeit in Betrieb waren. Sie könnten

# 1 Wichtige Sicherheits- und Umwelanweisungen

- sich die Finger verbrennen, da die Lampen heiß werden.
- Befolgen Sie die von zuständigen Behörden festgelegten Richtlinien zum Abführen von Abluft (diese Warnung ist bei Einsatz ohne Abzug nicht zutreffend).
  - Nehmen Sie Ihr Gerät erst in Betrieb, nachdem Sie ein Kochgeschirr auf das Kochfeld gestellt haben. Andernfalls könnte hohe Hitze zur Verformung von Teilen Ihres Geräts führen.
  - Schalten Sie die Kochfelder ab, bevor Sie das Kochgeschirr herunternehmen.
  - Lassen Sie kein heißes Öl auf das Kochfeld gelangen. Kochgeschirr mit heißem Öl kann sich selbst entzünden.
  - Achten Sie auf Vorhänge und Abdeckungen, da Öl beim Zubereiten von Lebensmitteln, wie Pommes frites, Feuer fangen kann.
  - Der Fettfilter muss mindestens einmal im Monat ersetzt werden. Der Kohlefilter muss mindestens alle 3 Monate ersetzt werden.
  - Das Produkt muss entsprechend der Bedienungsanleitung gereinigt werden. Falls die Reinigung nicht entsprechend der Bedienungsanleitung durchgeführt wird, besteht Brandgefahr.
  - Verwenden Sie kein nicht feuerbeständiges Filtermaterial anstelle des aktuellen Filters.
  - Verwenden Sie nur Originalteile und vom Hersteller empfohlene Teile.
  - Verwenden Sie das Gerät nicht ohne Filter. Entfernen Sie die Filter nicht, während das Gerät läuft.
  - Sollte sich etwas entzünden, unterbrechen Sie als erstes sofort die Energieversorgung.
  - Ersticken Sie ein Feuer mit

# 1 Wichtige Sicherheits- und Umwelanweisungen

einer geeigneten Decke oder ähnlich, verwenden Sie zum Löschen niemals Wasser.

- Trennen Sie das Gerät vor jeder Reinigung und bei Nichtbenutzung von der Stromversorgung.
  - Der Unterdruck in der Umgebung darf 4 Pa (4 x 10 bar) nicht überschreiten, während die Dunstabzugshaube für das elektrische Kochfeld und Geräte mit einer anderen Energiequelle als Strom gleichzeitig laufen.
  - Falls sich ein mit Heizöl oder Brenngasen betriebenes Gerät, z. B. Heizungen, in der Nähe der Dunstabzugshaube befindet, muss die Abluft dieses Gerätes vollständig getrennt abgeführt werden oder es muss hermetisch sein.
  - Verwenden Sie zum Anschluss des Abzugs Rohre mit einem Durchmesser von 120 oder 150 mm.
- Der Rohranschluss muss möglichst kurz sein und sollte möglichst wenige Biegungen aufweisen.
- **Verschluckungsgefahr!** Halten Sie alle Verpackungsmaterialien von Kindern fern.
- ACHTUNG:** Zugängliche Teile können bei Verwendung mit Kochgeräten heiß werden.
- Der Auslass des Produktes darf nicht an Luftkanäle angeschlossen werden, die auch andere Abluft abführen.
  - Die Belüftung im Raum reicht möglicherweise nicht aus, wenn die Abzugshaube für das elektrische Kochfeld gemeinsam mit Geräten, die mit Gas oder anderen Kraftstoffen laufen, betrieben wird (dies trifft möglicherweise nicht auf Geräte zu, die Luft zurück in den Raum abgeben).
  - Auf dem Produkt platzierte

# 1 Wichtige Sicherheits- und Umwelanweisungen

Gegenstände könnten herunterfallen. Stellen Sie keine Gegenstände auf das Produkt.


- Flambieren Sie nicht unter dem Gerät.

**WARNUNG:** Entfernen Sie vor Installation der Dunstabzugshaube die Schutzfolien.

- Achten Sie darauf, dass niemals hohe offene Flammen unter der Dunstabzugshaube entstehen, wenn diese in Betrieb ist.
- Fritteusen müssen während der Benutzung kontinuierlich überwacht werden; überhitztes Öl kann Feuer fangen.

## 1.2 Ihre Pflichten als Endnutzer



Dieses Produkt erfüllt die Vorgaben der EU-WEEE-Direktive (2012/19/ EU). Das Produkt wurde mit einem  Klassifizierungssymbol für elektrische und elektronische

Altgeräte (WEEE) gekennzeichnet.

Dieses Elektro- bzw. Elektronikgerät ist mit einer durchgestrichenen Abfalltonne auf Rädern gekennzeichnet. Das Gerät darf deshalb nur getrennt vom unsortierten Siedlungsabfall gesammelt und

zurückgenommen werden. Es darf somit nicht in den Hausmüll gegeben werden. Das Gerät kann z.B. bei einer kommunalen Sammelstelle oder ggf. bei einem Vertreiber (siehe unten zu deren Rücknahmepflichten in Deutschland) abgegeben werden.

Das gilt auch für alle Bauteile, Unterbaugruppen und Verbrauchsmaterialien des zu entsorgenden Altgeräts.

Bevor das Altgerät entsorgt werden darf, müssen alle Altbatterien und Altakkumulatoren vom Altgerät getrennt werden, die nicht vom Altgerät umschlossen sind. Das gleiche gilt für Lampen, die zerstörungsfrei aus dem Altgerät entnommen werden können. Der Endnutzer ist zudem selbst dafür verantwortlich, personenbezogene Daten auf dem Altgerät zu löschen.

Die ordnungsgemäße Entsorgung gebrauchter Geräte trägt dazu bei, mögliche negative Folgen für die Umwelt und die menschliche Gesundheit zu vermeiden.

## 1.3 Hinweise zum Recycling



Helfen Sie mit, alle Materialien zu recyceln, die mit diesem Symbol gekennzeichnet sind.

Entsorgen Sie solche Materialien, insbesondere Verpackungen, nicht im Hausmüll, sondern über die bereitgestellten Recyclingbehälter oder die entsprechenden örtlichen Sammelsysteme.

Recyceln Sie zum Umwelt- und Gesundheitsschutz elektrische und elektronische Geräte.



# 1 Wichtige Sicherheits- und Umwelanweisungen

## 1.4 Rücknahmepflichten der Vertreiber

Wer auf mindestens 400 m<sup>2</sup> Verkaufsfläche Elektro- und Elektronikgeräte vertreibt oder diese gewerblich an Endnutzer abgibt, ist verpflichtet, bei Abgabe eines neuen Gerätes, ein Altgerät des Endnutzers der gleichen Geräteart, das im Wesentlichen die gleichen Funktionen wie das neue Gerät erfüllt, am Ort der Abgabe oder in unmittelbarer Nähe, unentgeltlich zurückzunehmen. Das gilt auch für Vertreiber von Lebensmitteln mit einer Gesamtverkaufsfläche von mindestens 800 m<sup>2</sup>, die mehrmals im Kalenderjahr oder dauerhaft Elektro- und Elektronikgeräte anbieten und auf dem Markt bereitstellen. Solche Vertreiber müssen zudem auf Verlangen des Endnutzers Altgeräte, die in keiner äußeren Abmessung größer als 25 cm sind, (kleine Elektrogeräte) im Einzelhandelsgeschäft oder in unmittelbarer Nähe hierzu unentgeltlich zurückzunehmen; die Rücknahme darf in diesem Fall nicht an den Kauf eines Elektro- oder Elektronikgerätes verknüpft, kann aber auf drei Altgeräte pro Geräteart beschränkt werden.

Ort der Abgabe ist auch der private Haushalt, wenn das neue Elektro- oder Elektronikgerät dorthin geliefert wird; in diesem Fall ist die Abholung des Altgerätes für den Endnutzer kostenlos.

Die vorstehenden Pflichten gelten auch für den Vertrieb unter Verwendung von Fernkommunikationsmitteln, wenn die Vertreiber Lager- und Versandflächen für Elektro- und Elektronikgeräte bzw.

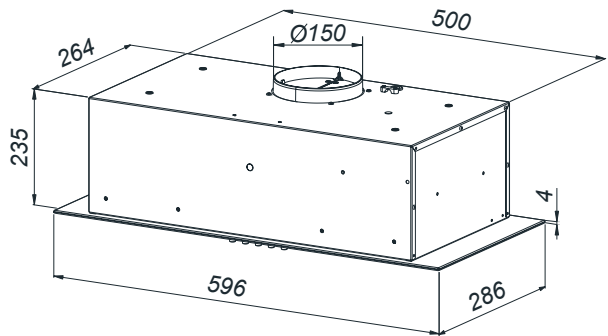
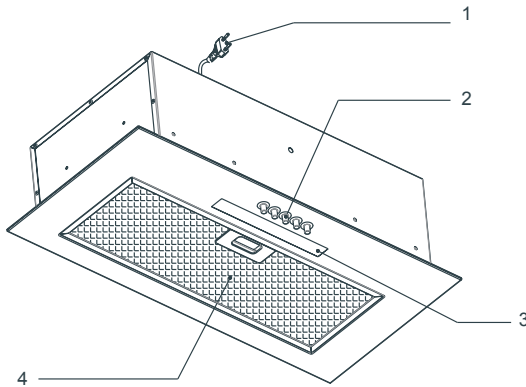
Gesamtlager und Versandflächen für Lebensmittel beinhalten, die den oben genannten Verkaufsflächen entsprechen. Die unentgeltliche Abholung von Elektro- und Elektronikgeräten ist dann aber auf Wärmeüberträger (z.B. Kühlschrank), Bildschirme, Monitore und Geräte, die Bildschirme mit einer Oberfläche von mehr als 100 cm<sup>2</sup> enthalten und Geräte beschränkt, bei denen mindestens eine der äußeren Abmessungen mehr

## 1.5 Einhaltung von RoHS-Vorgaben

Das von Ihnen erworbene Produkt erfüllt die Vorgaben der EU-RoHS Richtlinie (2011/65/EU). Es enthält keine in der Richtlinie angegebenen gefährlichen und unzulässigen Materialien.

## 2 Allgemeines Aussehen

### 2.1 Überblick



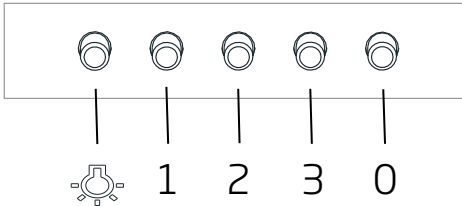
1. Netzkabel
2. Bedienfeld
3. Beleuchtung
4. Fettfilter aus Aluminium

### 2.2 Technische Daten


|                                    |                       |
|------------------------------------|-----------------------|
| <b>Modell</b>                      | HNU 61425 B           |
| <b>Netzspannung</b>                | 220-240 V 50 Hz       |
| <b>Lampenleistung</b>              | 5 W                   |
| <b>Motorleistung</b>               | 115 W                 |
| <b>Luftdurchsatz – 3. Stufe</b>    | 415 m <sup>3</sup> /h |
| <b>Isolationsklasse des Motors</b> | KLASSE F              |
| <b>Isolationsklasse</b>            | KLASSE II             |

## 3 Verwendung des Geräts

### 3.1 Verwendung des Wippschalters



Die Dunstabzugshaube ist mit einer mechanischen Steuerung ausgestattet.


- Durch Drücken der "0" - wird die Haube ausgeschaltet.
- Drücken Drücken der "1" - dreht sich die Haube mit einer minimalen Geschwindigkeit.
- Durch Drücken der "2" - dreht sich die Haube mit einer mittleren Geschwindigkeit.
- Durch Drücken der "3" - dreht sich die Haube mit einer maximalen Geschwindigkeit.
- Drücken Sie die Taste , um die Beleuchtung einzuschalten. Wiederholen Sie das Drücken der Taste, um die Beleuchtung auszuschalten.

### 3.2 Effiziente und energiesparende Nutzung

- Wenn Sie Ihr Gerät benutzen, passen Sie die Geschwindigkeitseinstellungen je nach Dampf- und Geruchsintensität an, um Energie zu sparen.
- Verwenden die niedrige bzw. mittlere Stufe (1-2) unter Normalbedingungen und die höchste Stufe (3) bei intensiver Dunst- und Geruchsentwicklung.
- Die Lampen der Dunstabzugshaube sind so angebracht, dass sie den Herdbereich beleuchten.

- Ihr Nutzung für die Beleuchtung der Küche kann zu unnötigen zusätzlichen Stromkosten führen, ohne dass die Raumbeleuchtung ausreichend wäre.
- Damit Ihr Gerät weniger Energie verbraucht, sollten Sie es mit einer niedrigen Geschwindigkeit laufen lassen.
- Ihr Gerät reduziert den Energieverbrauch und arbeitet effizienter, wenn Sie für eine ausreichende Luftzufuhr sorgen.
- Stellen Sie Ihr Gerät auf eine Stufe mit starker Ansaugleistung, bevor sich Dämpfe entwickeln, wenn eine starke Dampfbildung zu erwarten ist. So reduzieren Sie den Energieverbrauch, weil Sie das Gerät weniger lange einsetzen müssen, da die Luftzufuhr ausreichend ist.
- Kochen Sie möglichst mit geschlossenem Deckel, sodass weniger Dampf entweichen kann.

### 3.3 Bedienung der Dunstabzugshaube

- Die Dunstabzugshaube ist mit einem Motor mit verschiedenen Geschwindigkeitseinstellungen ausgestattet.
- Für eine bessere Leistung empfehlen wir Ihnen, unter normalen Bedingungen niedrige Geschwindigkeiten und wenn Geruch und Dämpfe verstärkt werden, hohe Geschwindigkeiten zu verwenden.
- Sie können die Dunstabzugshaube starten, indem Sie die gewünschte Geschwindigkeitsstufe drücken. (1, 2, 3)
- Durch Drücken der Lichttaste L können Sie die Kochstelle beleuchten. ()

## 3 Verwendung des Geräts

### 3.4 Lampenwechsel

Im Produkt wird eine LED-Leiste mit 5 W verwendet. Bevor Sie mit den Arbeiten zum Austausch der Lichtquelle beginnen, schalten Sie den Strom ab.

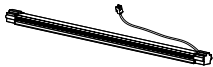
Im Falle einer Haube mit LED-Panel sollte der Austausch der Lichtquelle einer entsprechend lizenzierten Person (z.B. einem Elektriker) anvertraut werden oder der Fehler sollte einem autorisierten Kundendienst gemeldet werden.



- Vor dem Austausch der Leuchten müssen Sie die Stromzufuhr unterbrechen.
- Berühren Sie die Leuchten niemals im erhitzten Zustand.
- Achten Sie darauf, dass Sie die ausgetauschte Leuchte nicht mit den Händen berühren.

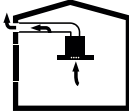


Sie können Leuchten über unsere vertraglichen Kundendienstanbieter beziehen.

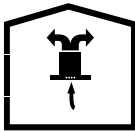
|                                   |   |
|-----------------------------------|---|
| <b>Glühbirne</b>                  |  |
| <b>Leistung der Lampe</b>         | 5 W   |
| <b>Halter / Sockel</b>            | NS39-G2   |
| <b>Die Spannung der Glühbirne</b> | 220 – 240 V   |
| <b>Größe</b>                      | 300 x 26 mm   |
| <b>Lichtstrom</b>                 | 420 lm  |
| <b>Korrelierte Farbtemperatur</b> | 3800 K  |

Dieses Produkt enthält eine Lichtquelle der Energieeffizienzklasse "F".

### 3.5 Verwendung mit Abluftkanalanschluss

-  Der Dampf wird durch das Abluftrohr, der am Anschlusskopf der Abzugshaube auf dem Herd befestigt ist, abgesaugt.
- Der Durchmesser des Abluftrohrs muss dem Durchmesser des Anschlussrings entsprechen. Bei horizontaler Anordnung muss das Rohr ein leichtes Gefälle (ca. 10°) nach oben haben, damit die Luft leicht aus dem Raum austreten kann.

### 3.6 Verwendung ohne Abluftkanalanschluss

-  Die Luft wird durch den Kohlefilter gefiltert und im Raum rezirkuliert. Der Kohlefilter wird verwendet, wenn es unmöglich ist, einen Rauchabzug im Haus zu benutzen.
- Im rauchgaslosen Betrieb sind die Klappen im Inneren des Rauchgasadapters zu entfernen.
- Entfernen Sie den Fettfilter. Zum Einbau des Kohlefilters den Filter auf die Laschen aufsetzen, indem Sie ihn auf dem Kunststoffteil auf beiden Seiten des Gebläsegehäuses zentrieren. durch Rechts- oder Linksdrehung festziehen.
- Fettfilter ersetzen.

## 4 Reinigung und Wartung

Das Gerät sollte regelmäßig gereinigt und gewartet werden. Ein unzureichend gereinigtes Gerät hat negative Folgen für die Lebensdauer des Geräts. Für Transport und Wartung befolgen Sie bitte die Anweisungen in der Bedienungsanleitung.



Ziehen Sie vor der Reinigung und Wartung den Netzstecker oder schalten Sie den Schalter aus.



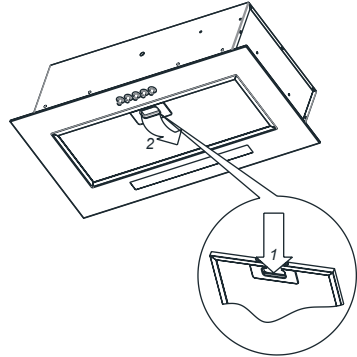
Die Nichteinhaltung der Reinigungsanweisungen für das Gerät und sowie der Anweisungen zum Filterwechsel kann zu akuter Brandgefahr führen. Daher wird dringend empfohlen, die hier gegebenen Anweisungen zu befolgen. Der Hersteller haftet nicht für Geräte- oder Brandschäden, die aus einer unsachgemäßen Verwendung herrühren.

Reinigen Sie das Gerät nur mit einem feuchten Tuch und einem neutralen Flüssigreiniger. Verwenden Sie keinesfalls Instrumente oder Werkzeuge für eine Reinigung. Verwenden Sie keine ätzenden oder scheuernden Reinigungsmittel. Verwenden Sie keine alkoholhaltigen Reinigungsmittel

### 4.1 Reinigung des Fettfilters

Dieser Filter fängt Ölpartikel in der Luft auf. Es wird empfohlen, den Filter bei normalem Gebrauch jeden Monat zu reinigen. Bauen Sie dazu zunächst die Fettfilter aus. Waschen Sie die Filter mit

einem flüssigen Reinigungsmittel, spülen Sie sie mit Wasser ab und setzen Sie sie wieder ein, nachdem sie getrocknet sind. Aluminium-Fettfilter können sich beim Waschen verfärben; das ist normal und Sie brauchen den Filter nicht zu wechseln.



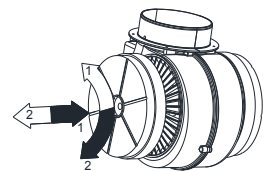
Sie können den Fettfilter in der Spülmaschine waschen.



**WARNUNG:** Reinigen Sie Ihren Fettfilter bei normalem Gebrauch einmal pro Monat.

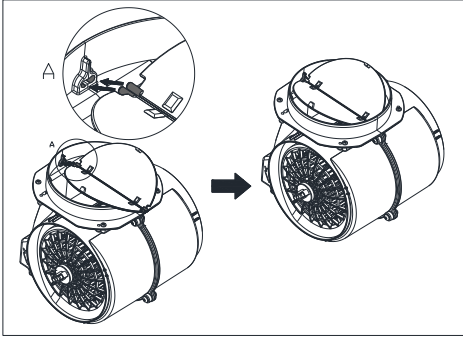
### 4.2 Changing of Carbon Filter (Air Circulation Mode)

The hood can be fitted with an active carbon filter. The carbon filter is applied only in case the hood is not connected to the vent duct.



Symbol Einbau des Filters  
Symbol Ausbau des Filters

## 4 Reinigung und Wartung



### WARNUNG



- Der Aktivkohlefilter darf niemals gewaschen werden.
- Ersetzen Sie die Kohlefilter einmal alle 3 Monate.
- Sie können den Aktivkohlefilter bei autorisierten Servicehändlern beziehen.

## 5 Aufbau des Geräts



**WARNUNG:** Lesen Sie vor Beginn der Installation die Sicherheitshinweise im Benutzerhandbuch.



**WARNUNG:** Wenn Sie nicht mit Schrauben und Stabilisatoren gemäß diesen Anweisungen installieren, kann dies zu einem elektrischen Schlag führen.

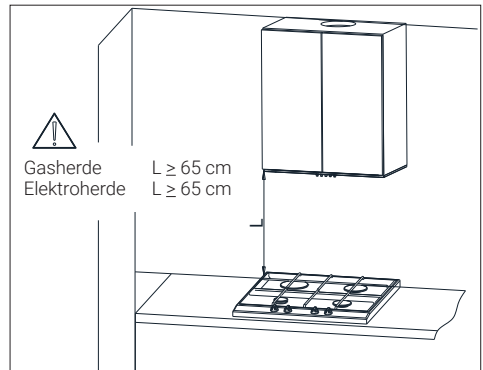
Um die Dunstabzugshaube zu installieren, wenden Sie sich bitte an den nächstgelegenen autorisierten Kundendienst.

Es liegt in der Verantwortung des Kunden, den Standort der Dunstabzugshaube und die elektrische Installation vorzubereiten.

### 5.1 Positionierung des Geräts

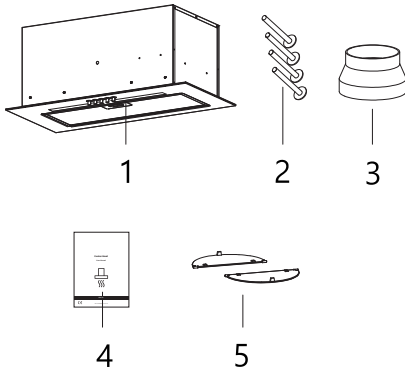
- Der Abstand zwischen dem Herd und der Abzugshaube muss vor der Montage berücksichtigt werden. Dieser Abstand sollte 65 cm betragen.
- Der Abstand muss bei Gasherden von

der Oberfläche des Rostes. Und bei Elektroherden von der Oberfläche des Glases gemessen werden.



# 5 Aufbau des Geräts

## 5.2 Installationszubehör

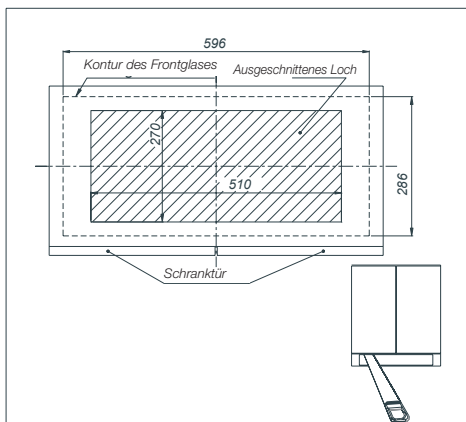


1. Haube
2. 4x5x35 mm Schraube
3.  $\varnothing 150 / \varnothing 120$  Kunststoff-Adapter
4. Bedienungsanleitung
5. Gebläseklappen

## 5.3 Einbau des Geräts

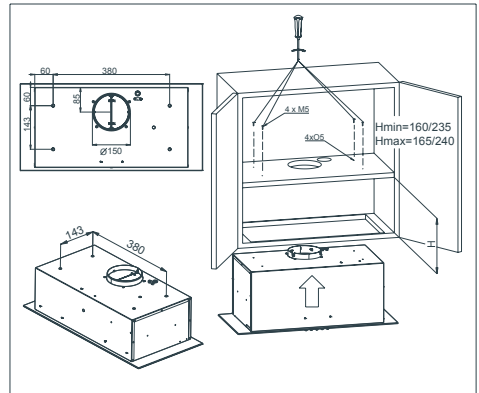
1. Bereiten Sie den Schrank für den Einbau der Haube vor, schneiden Sie das Loch im Boden des Schrankes gemäß der Zeichnung aus.

Vorbereitung des Schrankes



2. Entfernen Sie die Fettfilter
3. Setzen Sie die Haube vorsichtig in das zuvor ausgeschnittene Loch ein, halten Sie die Haube mit einer Hand oder bitten Sie eine weitere Person um Hilfe. Schrauben Sie die Bolzen/Schrauben ein und entscheiden Sie sich für eine Montagevariante a- Befestigung an der Oberseite des Schrankes, b- Befestigung an der Seite des Schrankes.

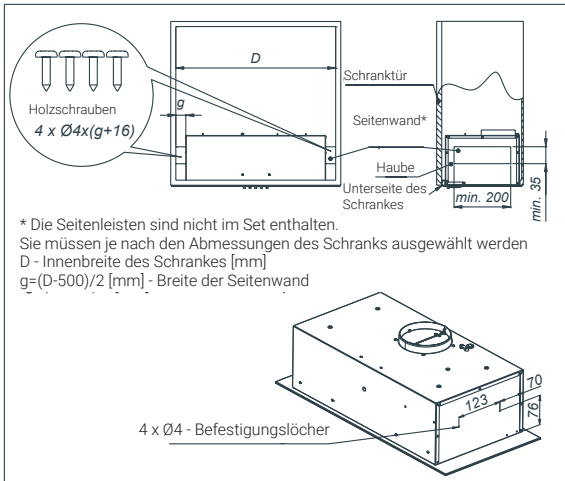
Installation der Haube - Version für die Montage von oben



4. Wenn Sie die Haube an der Oberseite des Schrankes befestigen, bereiten Sie die Löcher im Schrankboden entsprechend den in der Zeichnung angegebenen Abmessungen vor. Im Falle einer seitlichen Variante müssen die Seitenschürzen jedoch wie unter

## 5 Aufbau des Geräts

### Montage der Abzugshaube - seitliche Montageversion



### 5.4 Elektrische Anschlüsse

Die Netzspannung muss mit der auf dem Schild im Inneren der Haube angegebenen Spannung übereinstimmen. Wenn die Abzugshaube mit einem Stecker ausgestattet ist, muss dieser in eine Steckdose eingesteckt werden, die den geltenden Anforderungen entspricht und sich an einem leicht zugänglichen Ort befindet. Wenn die Haube nicht mit einem Stecker ausgestattet ist, muss die Installation der Haube durch eine Person, die über die erforderlichen Berechtigungen verfügt (z. B. Elektriker) durchgeführt werden.

### 5.5 Lagerung

- Lagern Sie das Gerät sorgfältig, wenn Sie es längere Zeit nicht benutzen sollten.
- Sorgen Sie dafür, dass das Gerät vom Stromnetz getrennt, gänzlich abgekühlt und trocken ist.

- Lagern Sie das Gerät an einem kühlen, trockenen Ort.
- Halten Sie das Gerät von Kindern fern.

### 5.6 Handhabung und Transport

- Tragen Sie das Gerät während der Handhabung und des Transports in der Originalverpackung.
- Die Verpackung des Geräts schützt es vor physischen Schäden.
- Legen Sie keine schweren Lasten auf das Gerät oder auf die Verpackung. Das Gerät kann beschädigt werden.



## 6 Fehlerbehebung

| <b>Fehlerbehebung</b>                     | <b>Grund</b>                               | <b>Hilfe</b>  |
|---|--|---|
| Das Produkt funktioniert nicht.           | Überprüfen Sie Ihre Sicherung              | Ihre Sicherung könnte geschlossen sein, sorgen Sie dafür, dass sie funktioniert.                      |
| Das Produkt funktioniert nicht.           | Überprüfen Sie die elektrische Verbindung. | Die Netzspannung sollte zwischen 220-240V liegen.   |
| Das Produkt funktioniert nicht.           | Überprüfen Sie die elektrische Verbindung. | Überprüfen Sie, ob die anderen Produkte in Ihrer Küche funktionieren oder nicht.                      |
| Die Beleuchtung Lampe funktioniert nicht. | Überprüfen Sie die elektrische Verbindung. | Die Netzspannung sollte zwischen 220-240V liegen.   |
| Die Beleuchtung Lampe funktioniert nicht. | Überprüfen Sie den Lampenschalter.         | Der Lampenschalter sollte sich in der Position "Ein/on" befinden.                                     |
| Die Beleuchtung Lampe funktioniert nicht. | Überprüfen Sie die Lampen.                 | Die Lampen des Produkts sollten nicht defekt sein.  |
| Die Luftzufuhr des Produkts ist schlecht. | Prüfen Sie den Aluminiumfilter.            | Der Aluminium-Ölfilter sollte unter normalen Bedingungen mindestens einmal im Monat gereinigt werden. |
| Die Luftzufuhr des Produkts ist schlecht. | Überprüfen Sie den Abluftkamin.            | Der Entlüftungskanal sollte sich in der "Ein" Stellung befinden.                                      |
| Die Luftzufuhr des Produkts ist schlecht. | Überprüfen Sie den Kohlefilter.            | Bei Produkten mit Kohlefilter sollte der Filter normalerweise alle 3 Monate gewechselt werden.        |

## Garantiebedingungen

### Anschrift:

Beko Grundig Deutschland GmbH  
Rahmannstraße 3  
65760 Eschborn

Kundendienst-Tel.: 06102-86 86 891

Fax: 01805-414 400 \*

E-Mail: Kundendienst@beko.com

Ersatzteile-Tel.: 01805-242 515 \*

Fax: 01805-345 001\*

E-Mail: ersatzteile@beko.com

Sehr geehrte Kundin, sehr geehrter Kunde,

wir gratulieren Ihnen zum neuen Gerät der Marke Beko und wünschen Ihnen viel Freude daran. Sollten Sie dennoch einmal einen Grund zu einer Reklamation erkennen, dann wenden Sie sich bitte an unseren Kundendienst. Geben Sie im Falle einer Störung Ihre genaue Anschrift, Telefonnummer und den GERÄTETYP (vom Typenschild des Gerätes) an.

### Hinweis für Kühl- und Gefriergeräte, Achtung!

Um voll funktionsfähig zu sein, benötigt Ihr Gerät nach dem Transport ca. 24 Stunden, in denen sich das Kühlmittel stabilisiert. Sofern es nicht vermeidbar ist und Sie das Gerät sofort nach Aufstellung mit Gefriergut bestücken wollen, müssen Sie damit rechnen, dass die rote Lampe bis zur Stabilisierung des Kühlkreislaufs aufleuchtet. Die Kühlleistung beginnt jedoch vom Augenblick des Anschlusses an sich auf zu bauen.

### Die Garantiezeit beträgt 24 Monate ab Kaufdatum.

#### Bedingungen:

Dieses Gerät wurde nach den modernsten Methoden hergestellt und geprüft. Der Hersteller leistet unabhängig von der gesetzlichen Gewährleistungsverpflichtung des Verkäufers / Händlers für die Dauer von 24 Monaten, gerechnet vom Tag des Kaufes, Garantie für einwandfreies Material und fehlerfreie Fertigung.

Der Garantieanspruch erlischt bei Eingriffen durch den Käufer oder durch Dritte, die vom Hersteller nicht für den Service autorisiert sind oder wenn das Gerät zu gewerblichen Zwecken eingesetzt wird. Schäden die durch unsachgemäße Behandlung oder Bedienung, durch falsches Aufstellen oder Aufbewahren, durch unsachgemäßen Anschluss, oder fehlerhafte Installationen sowie durch höhere Gewalt oder sonstige äußere Einflüsse entstehen, fallen nicht unter die Gewährleistung.

#### Abhilfemöglichkeiten:

Wir behalten uns vor, bei Reklamationen die defekten Teile auszubessern oder zu ersetzen oder das Gerät auszutauschen. Ausgetauschte Teile oder ausgetauschte Geräte gehen in unser Eigentum über. Nur wenn durch Nachbesserung(en) oder Umtausch des Gerätes die herstellereitig vorgesehene Nutzung endgültig nicht zu erreichen sein sollte, kann der Käufer aus Gewährleistung innerhalb von 24 Monaten, gerechnet vom Tag des Kaufes, Herabsetzung des Kaufpreises oder Aufhebung des Kaufvertrages verlangen. Nachbesserungen verlängern nicht die Gewährleistungszeit. Schadenersatzansprüche, auch hinsichtlich Folgeschäden, sind, soweit sie nicht auf Vorsatz oder grober Fahrlässigkeit beruhen, ausgeschlossen.

Bei unnötiger oder unberechtigter Beanspruchung des Kundendienstes berechnet dieser Zeit- und Wegeentgelt. Reklamationen sind unmittelbar nach Feststellung zu melden. Der Garantieanspruch ist vom Käufer, durch Vorlage der Kaufquittung, nachzuweisen. Bei Nicht-vorlage ist die Reparatur kostenpflichtig. Eine Rückerstattung – nach späterer Einsendung der Kaufquittung – kann nur innerhalb von einem Monat nach Rechnungsdatum gewährt werden.

**Diese Garantiezusage ist gültig innerhalb der Bundesrepublik Deutschland  
(\*) 0,14 EUR/Min. aus dem Festnetz der T-Com; Mobilfunk max. 0,42 EUR/Min. (nur für Deutschland)**



Arçelik A.Ş.  
Karaağaç Caddesi No: 2-6, 34445,  
Sütlüce, İstanbul, Türkiye

[www.beko.com](http://www.beko.com)