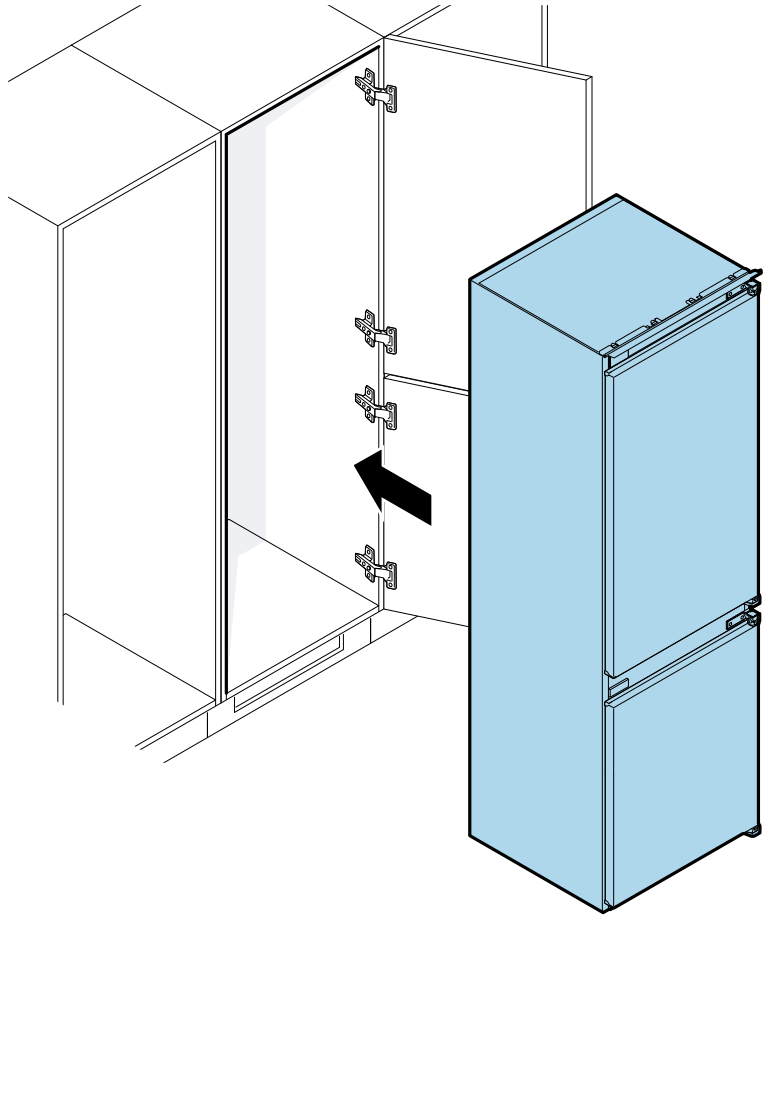
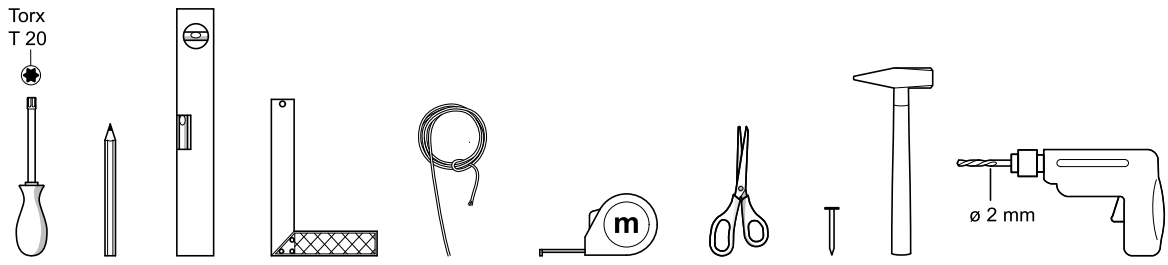
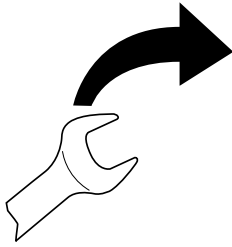
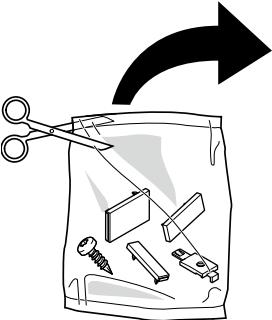
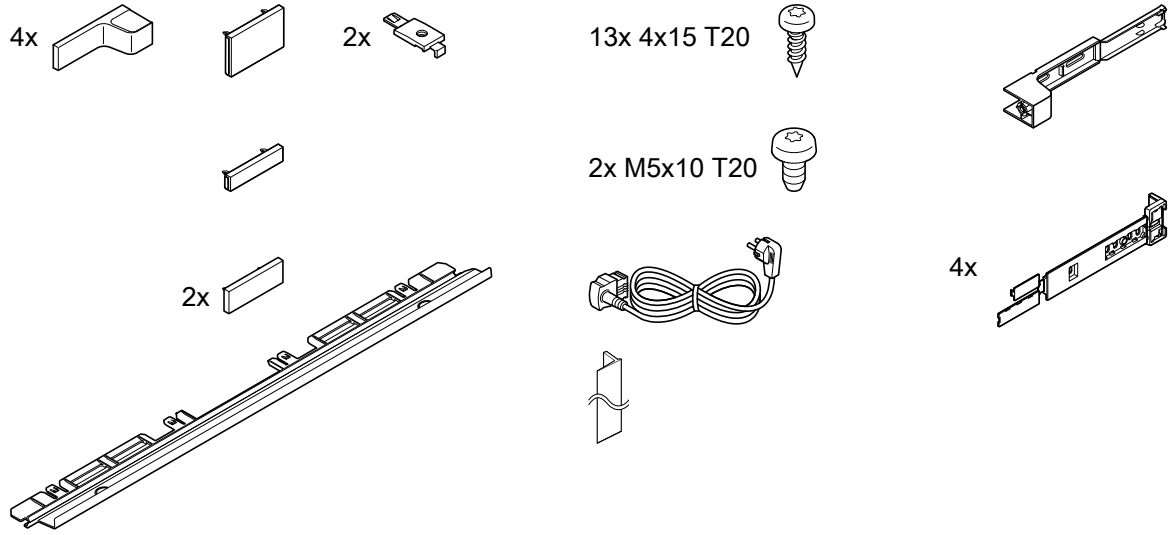


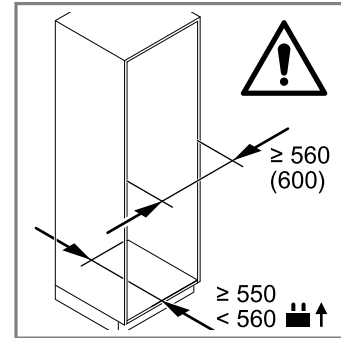
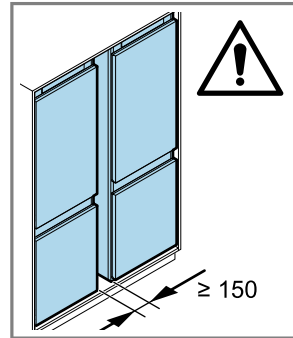
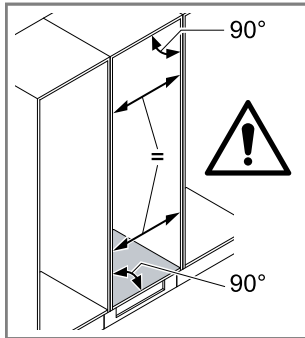
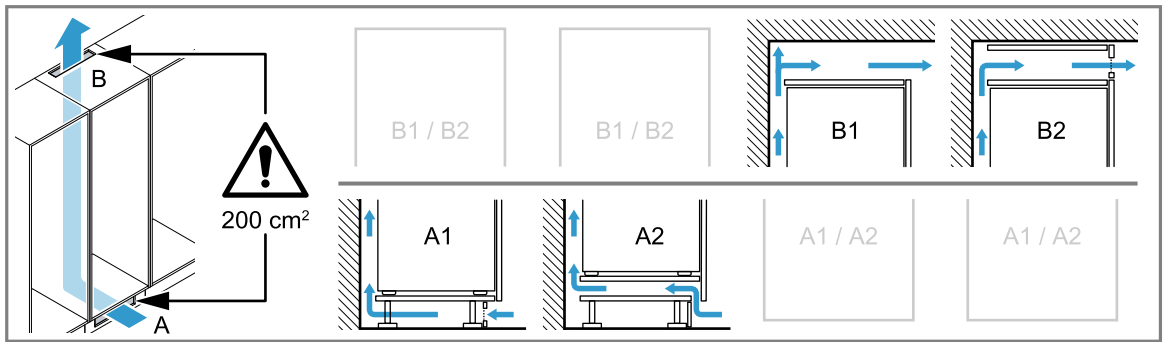
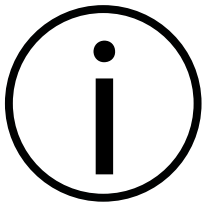
9001805554 (021108)

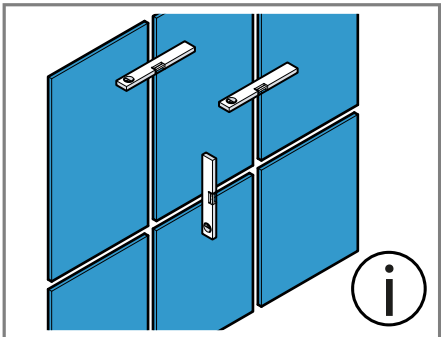
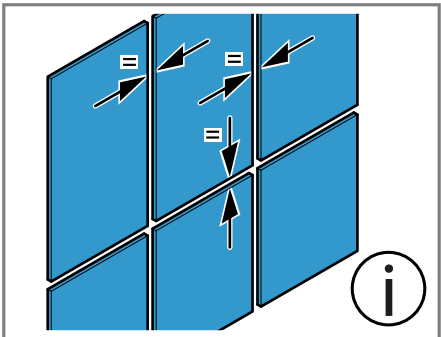
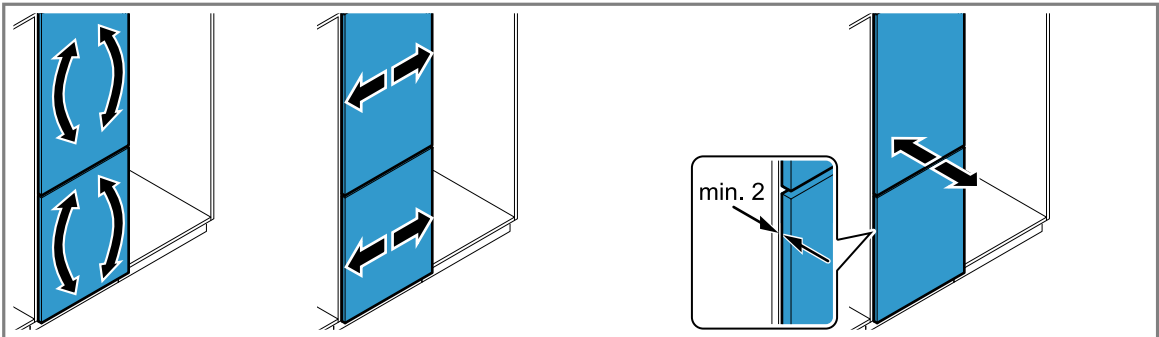
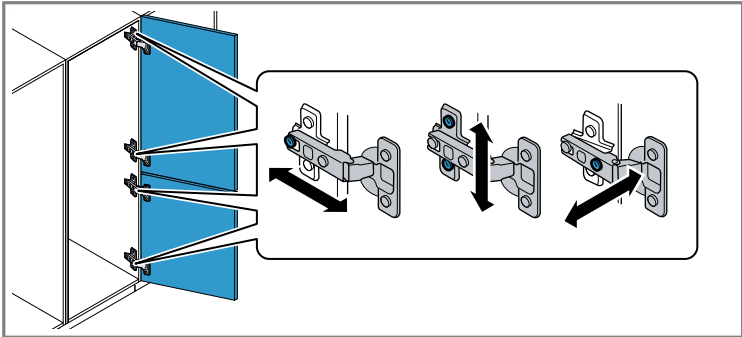


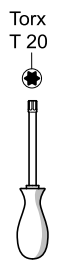
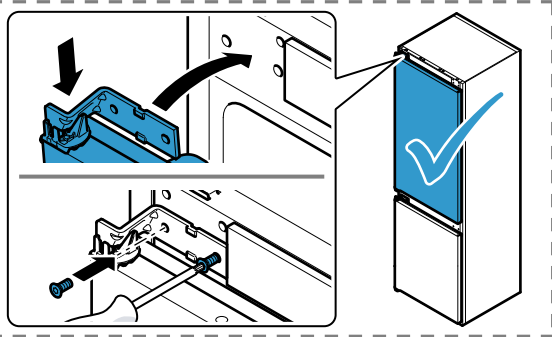
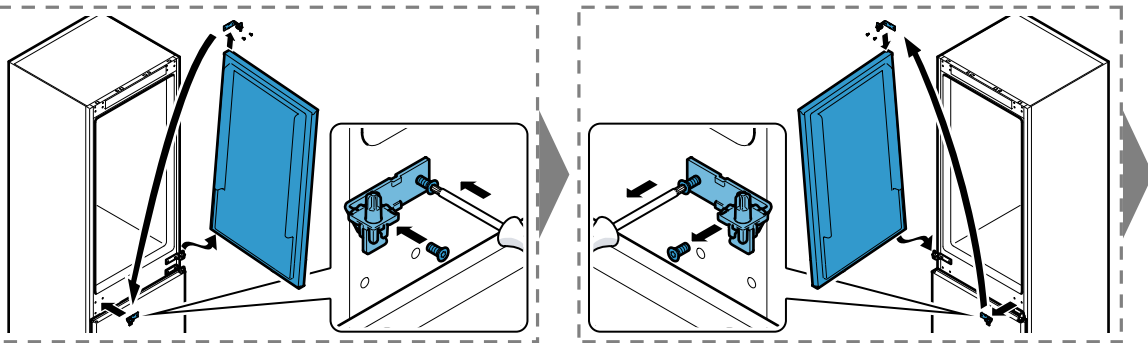
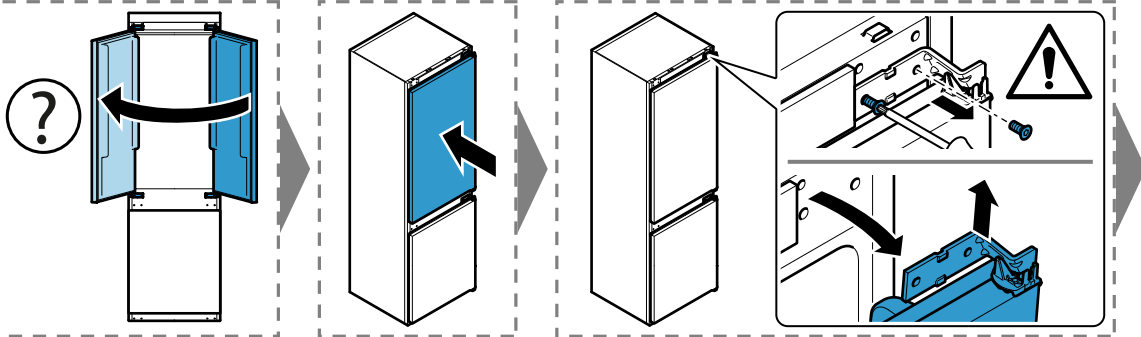
mm

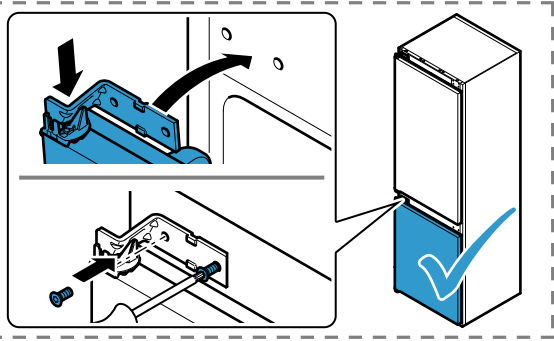
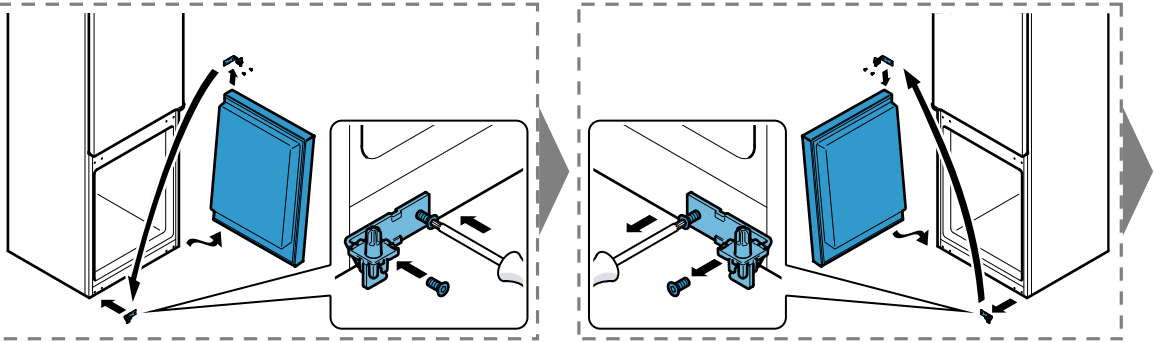
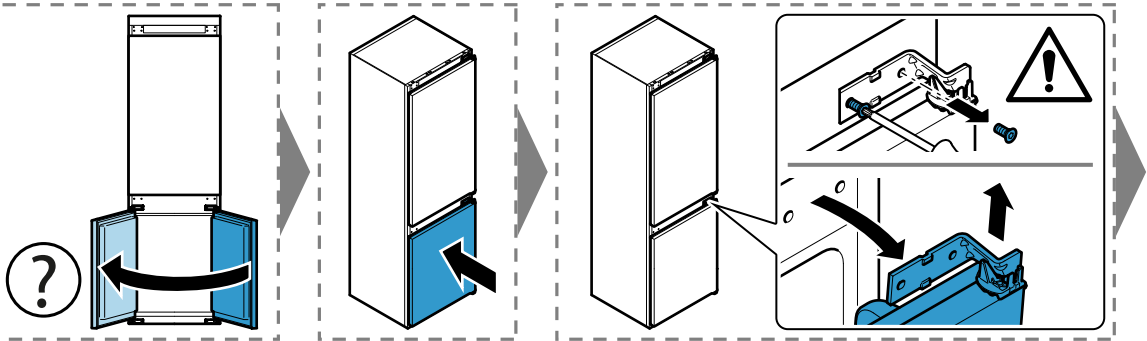












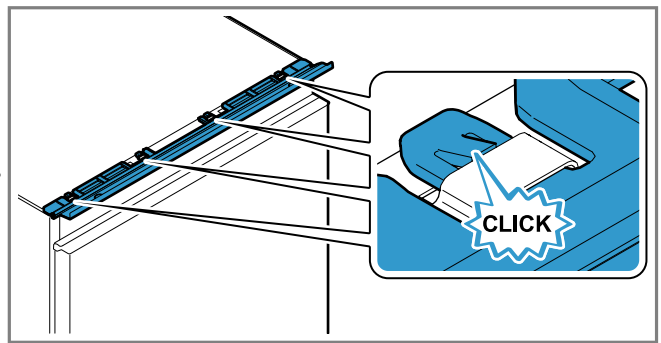
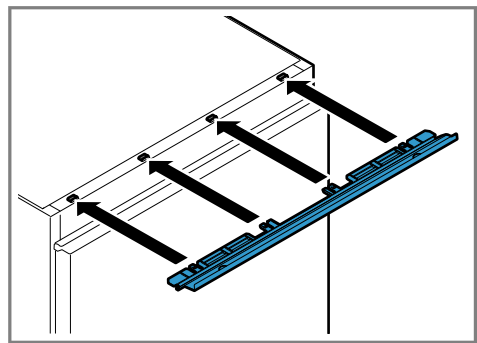
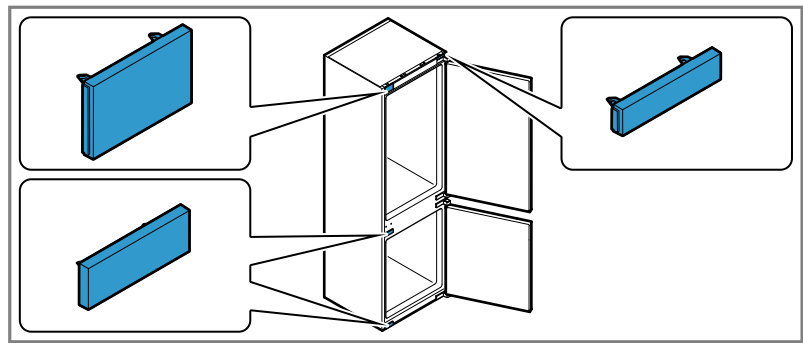
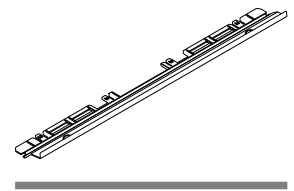
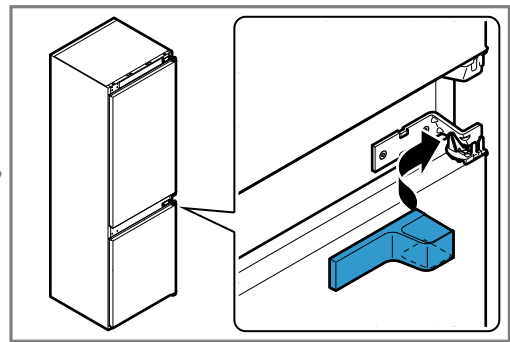
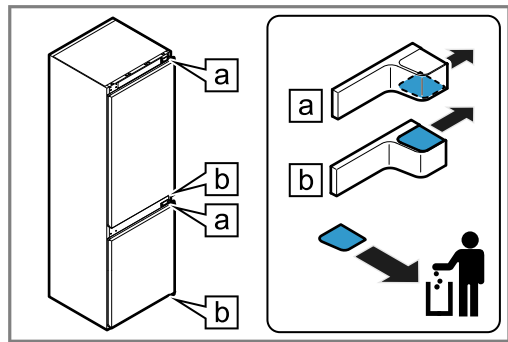
Torx  
T 20

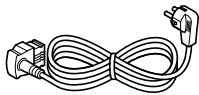


4x

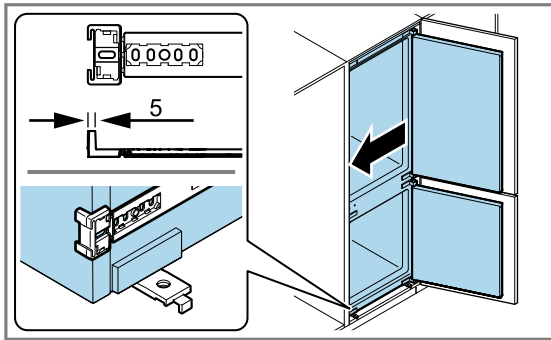
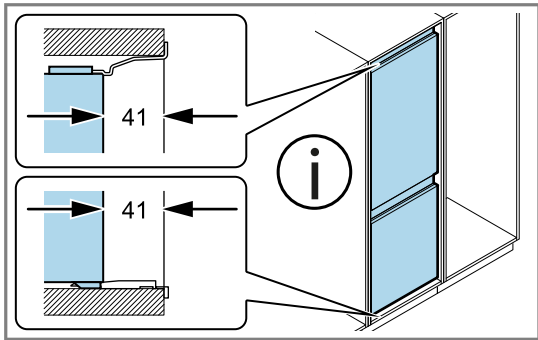
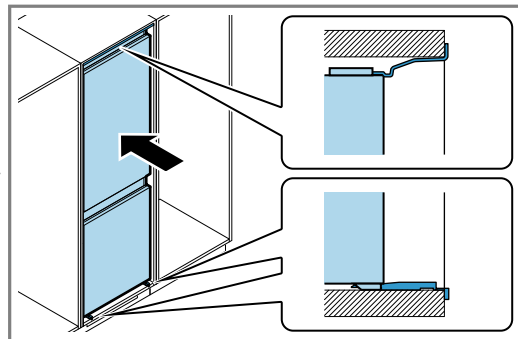
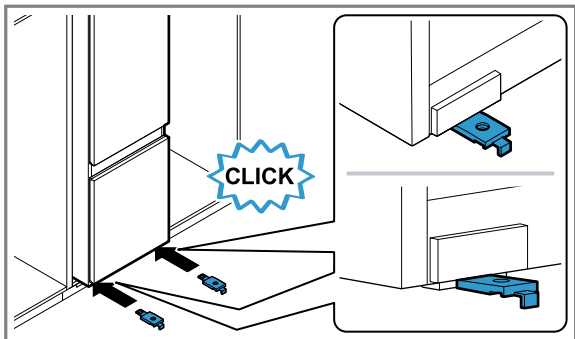
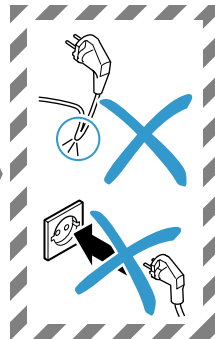
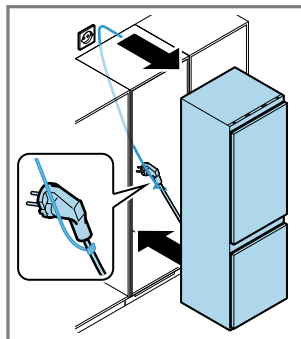
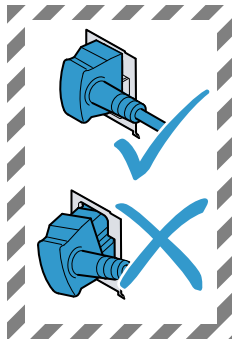
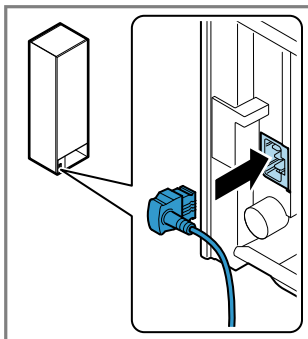
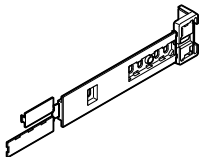


2x



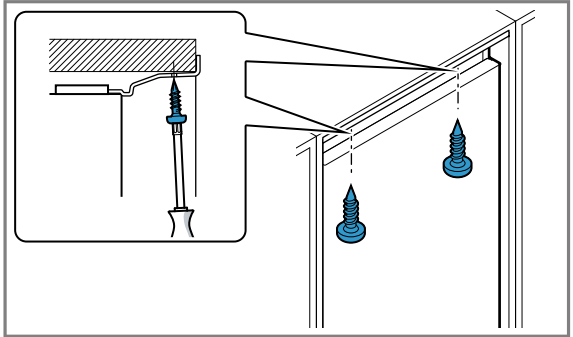
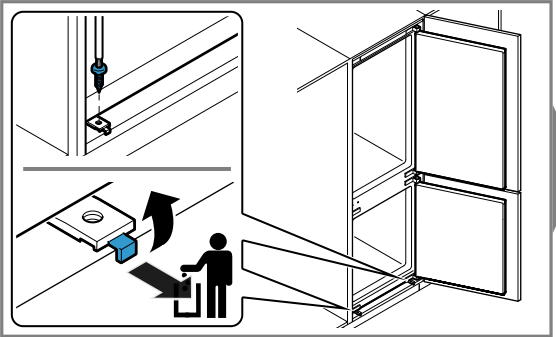


2x





4x

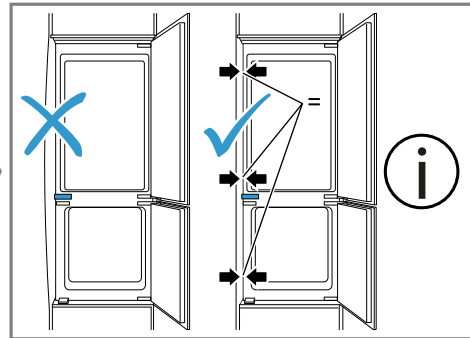
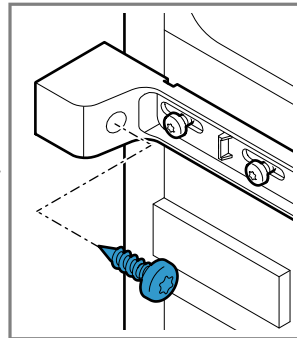
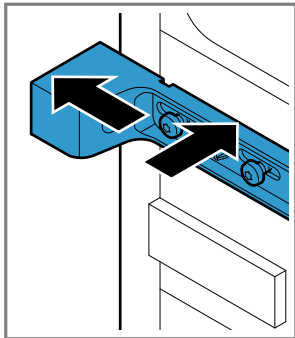
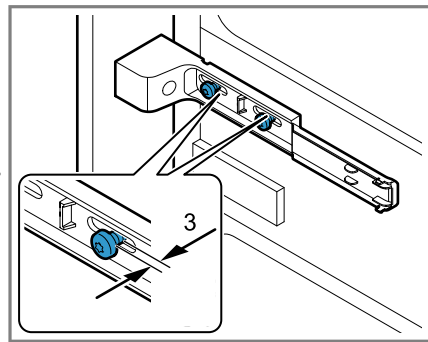
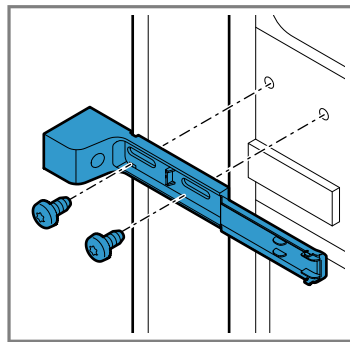
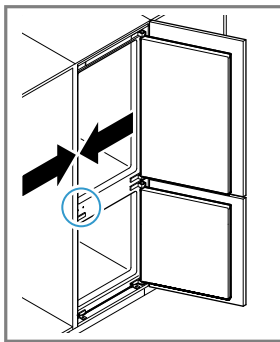
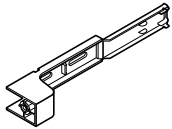


Torx  
T 20

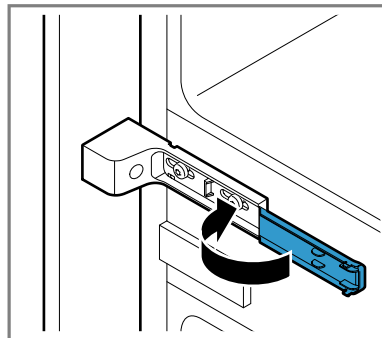
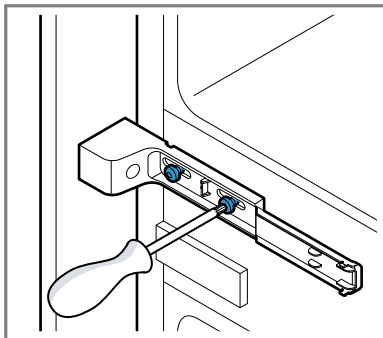


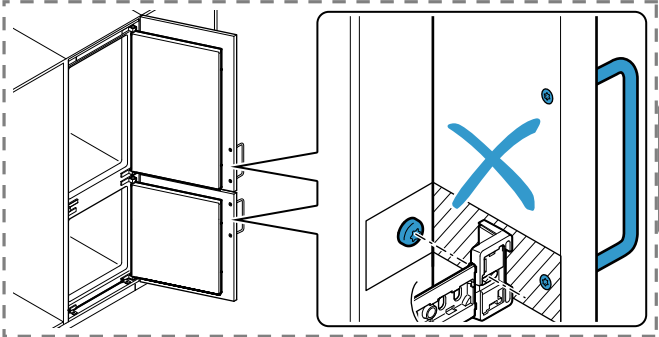
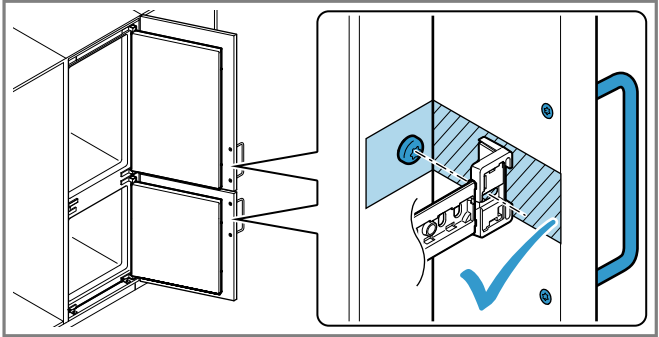
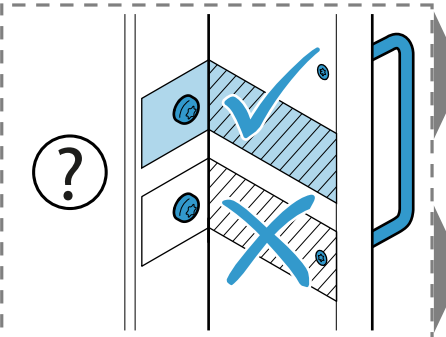
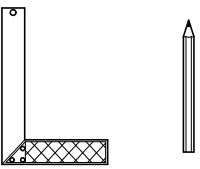
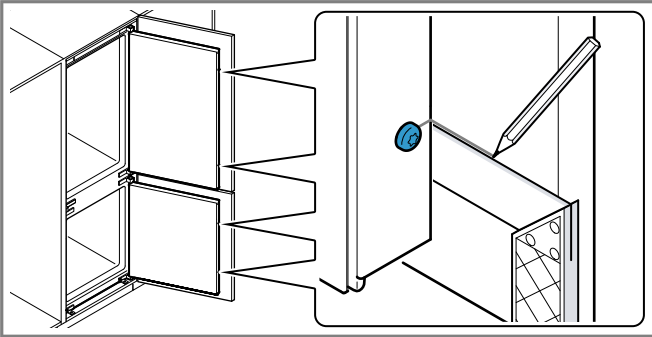
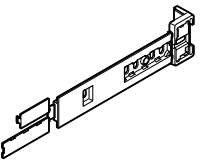


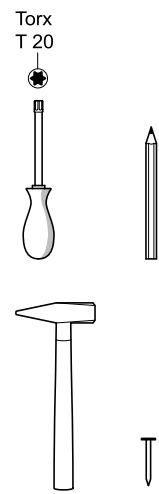
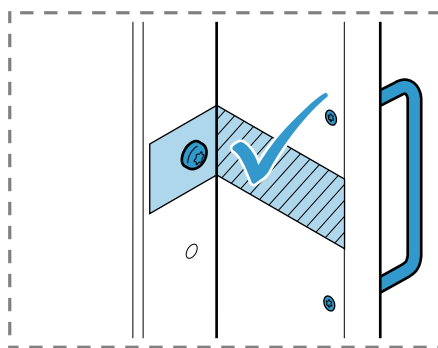
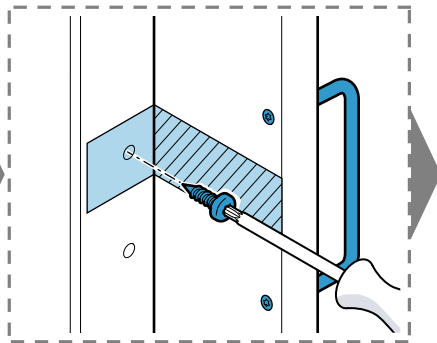
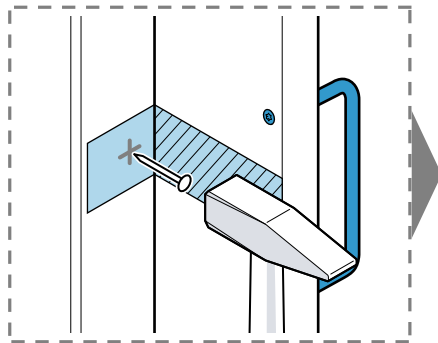
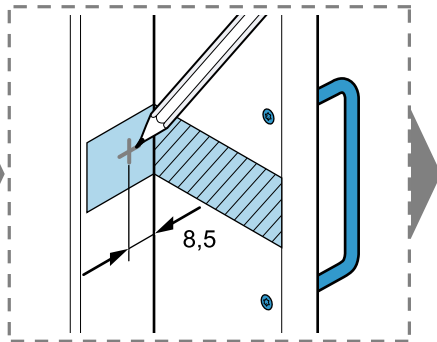
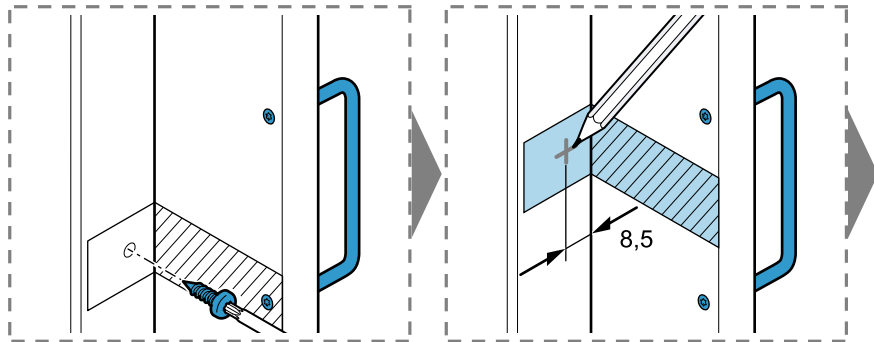
2x



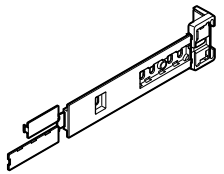
Torx  
T 20



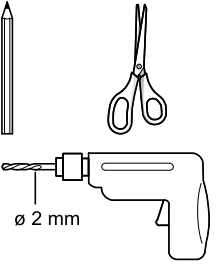
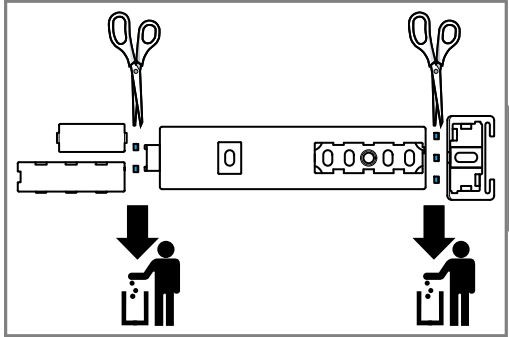
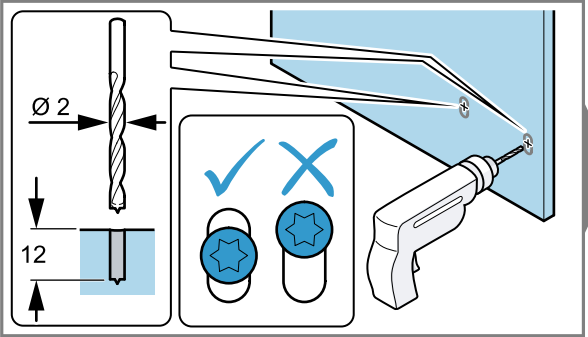
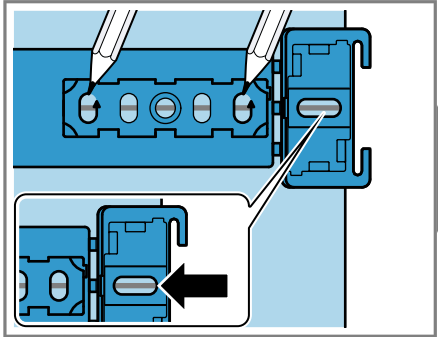
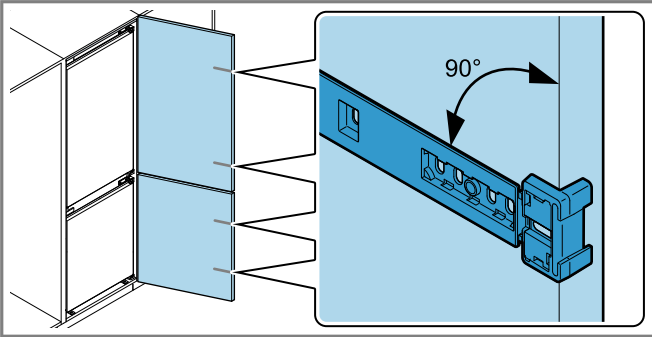




4x

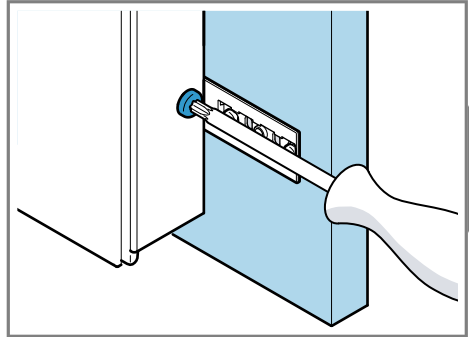
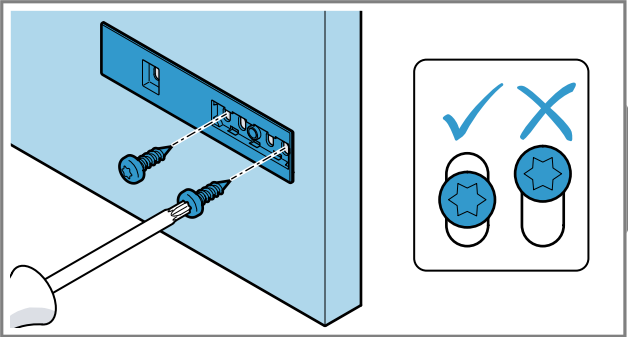


8x

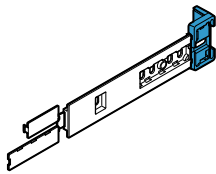


ø 2 mm

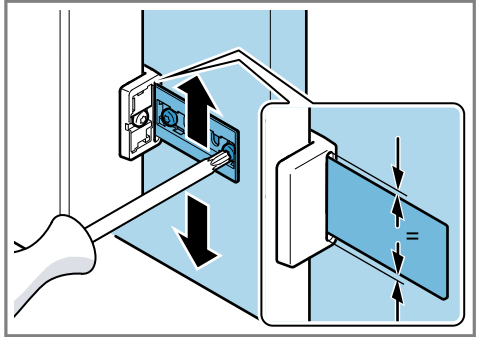
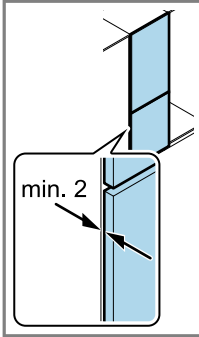
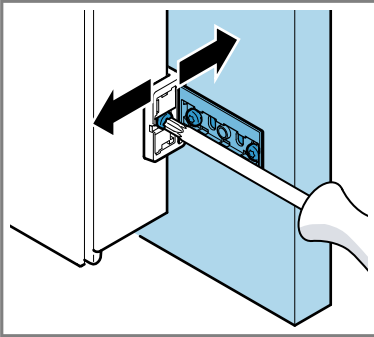
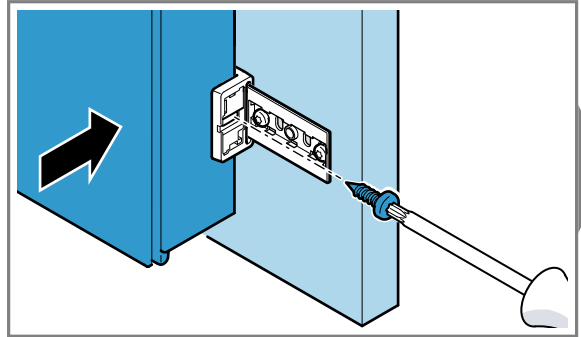
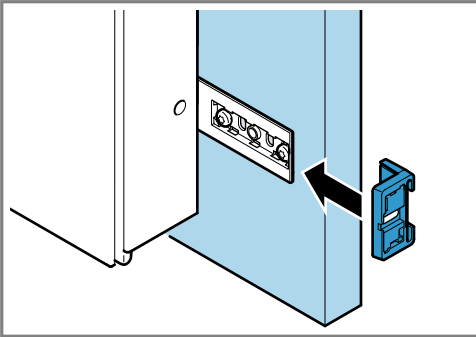
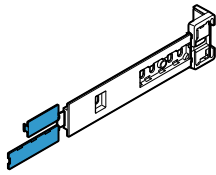
Torx  
T 20



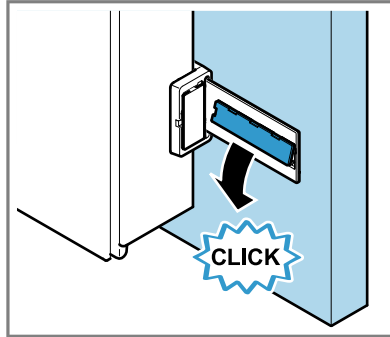
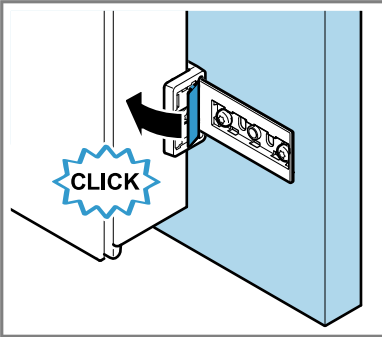
4x

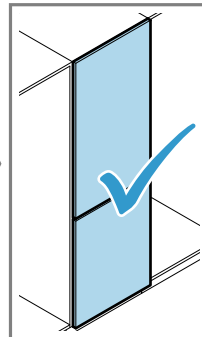
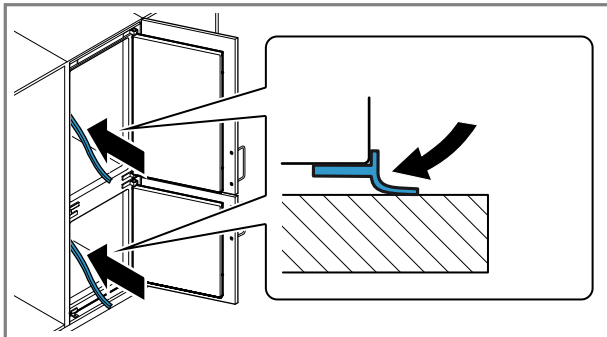
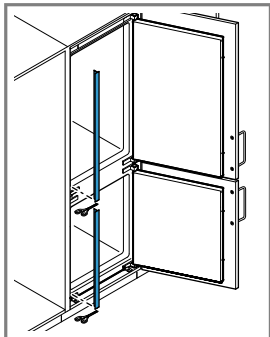


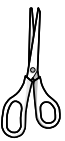
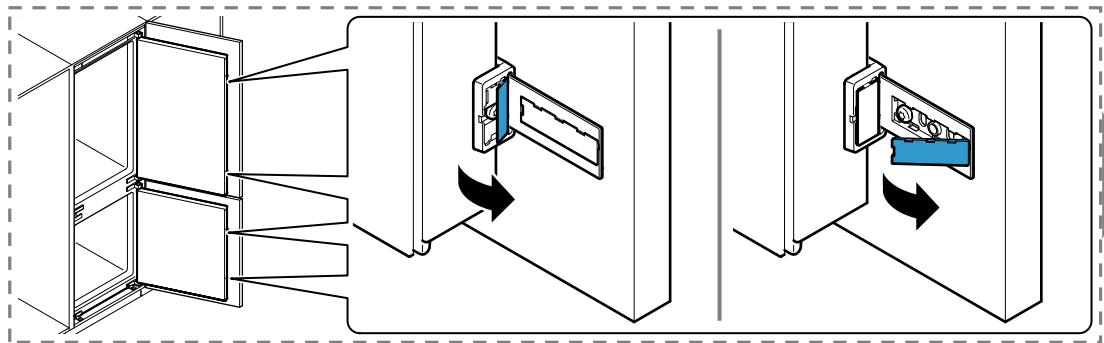
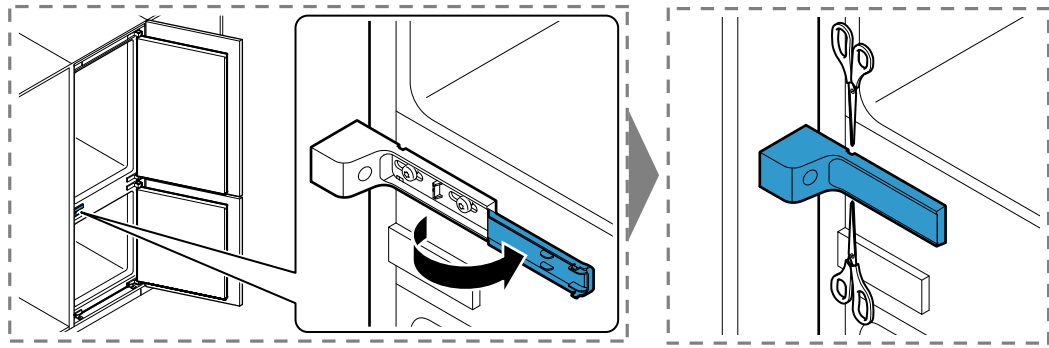
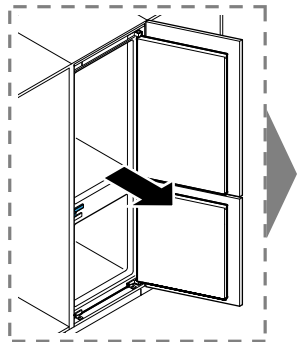
4x



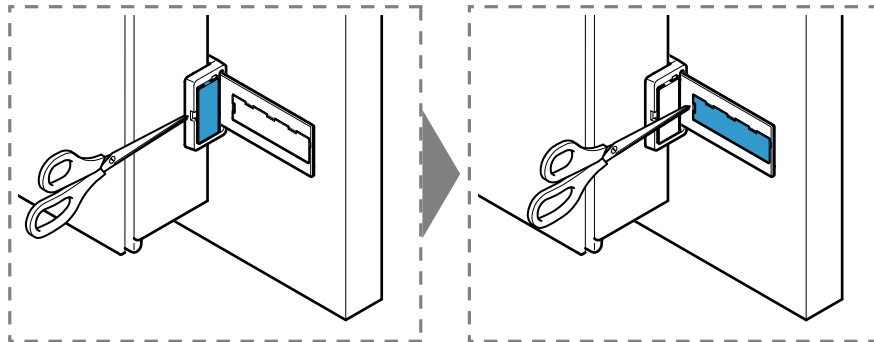
Torx  
T 20















A vertical line on the left side of the page, followed by 20 horizontal lines, creating a ruled writing area.



A series of horizontal lines for writing, starting from the top and extending to the bottom of the page, with a vertical margin line on the left side.