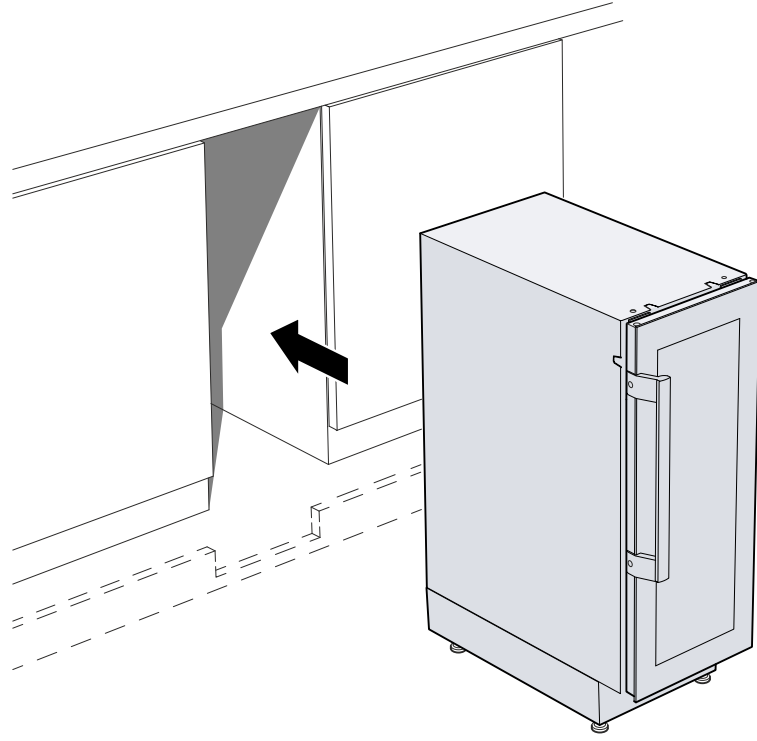


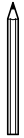
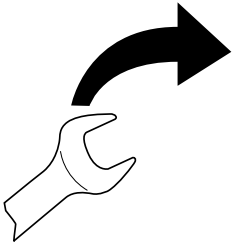
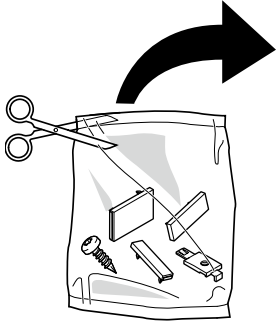
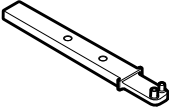
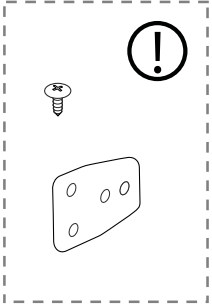


9001542637 (060213)

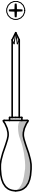


mm



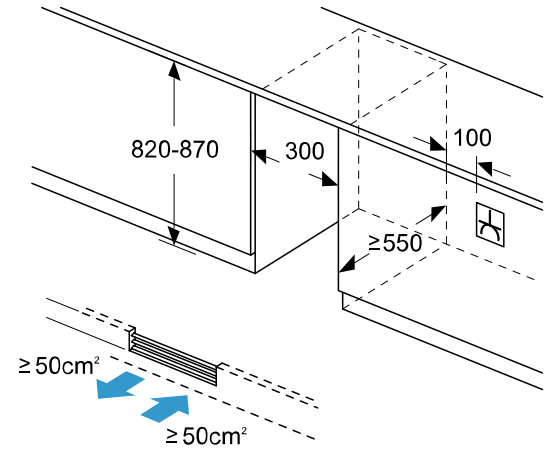
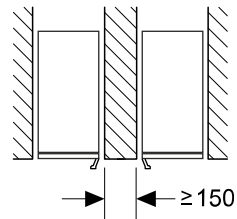
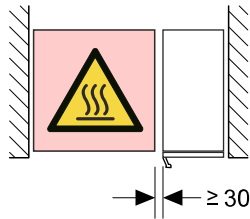
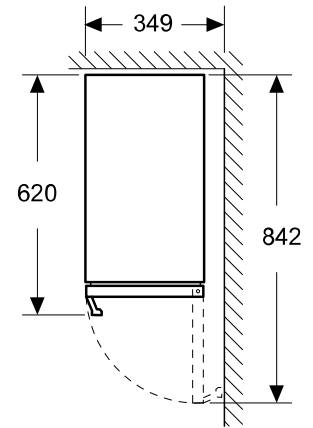
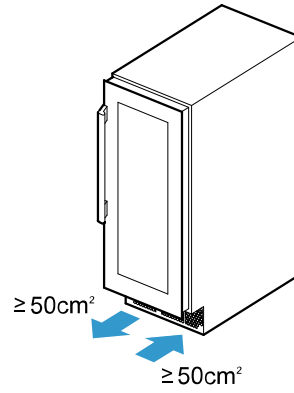
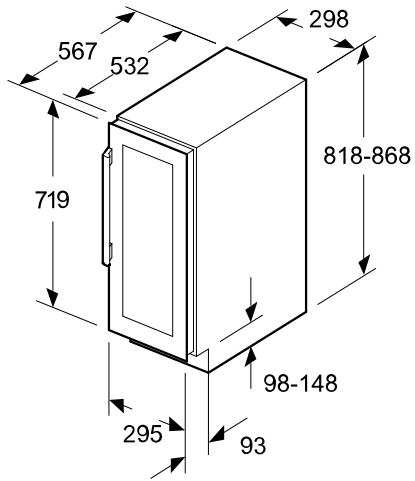
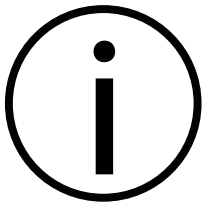


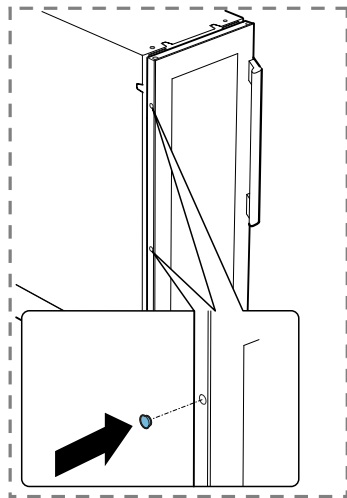
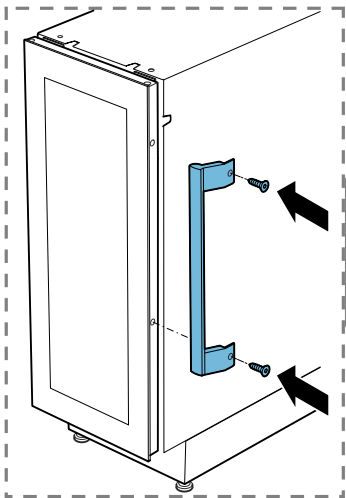
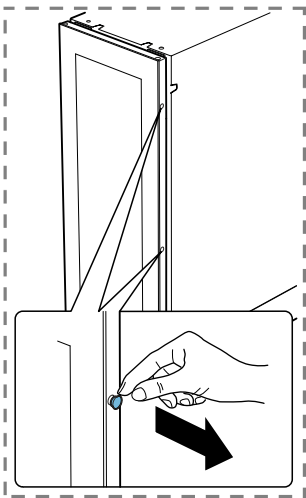
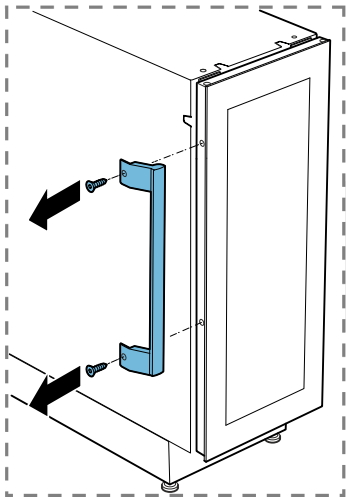
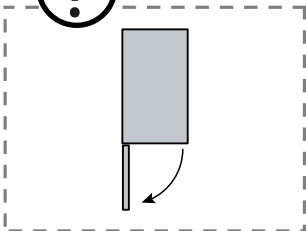
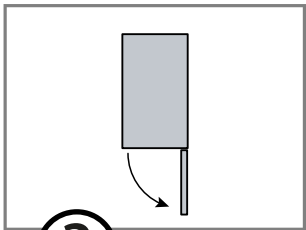
3



Torx  
T 25

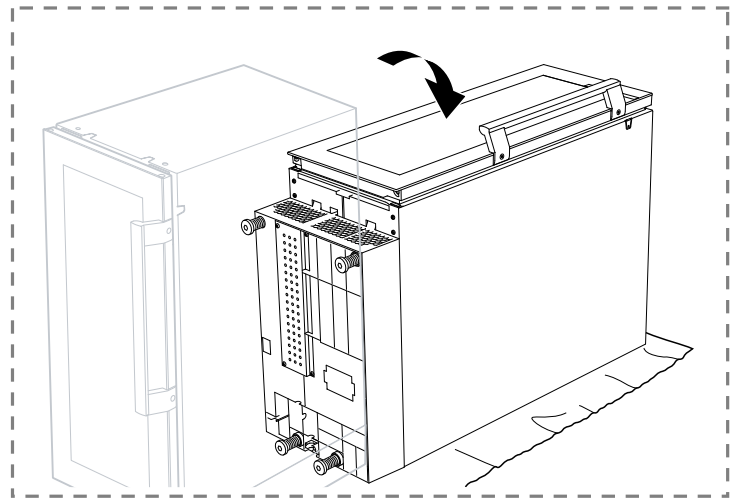
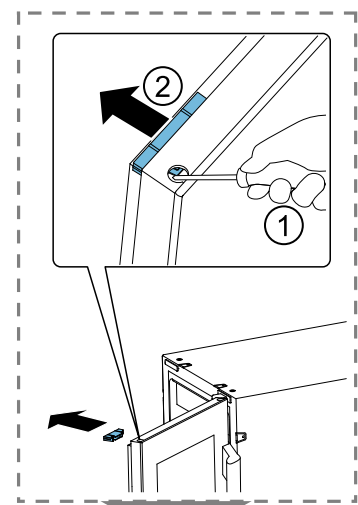
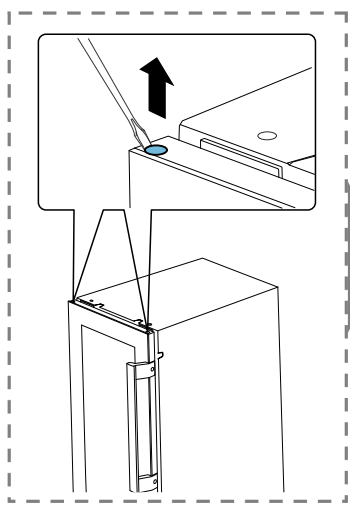
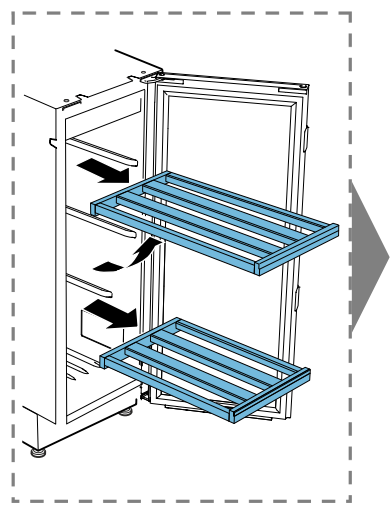
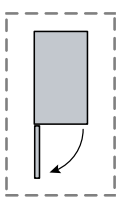
Torx  
T 20

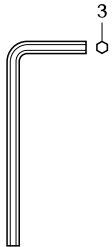
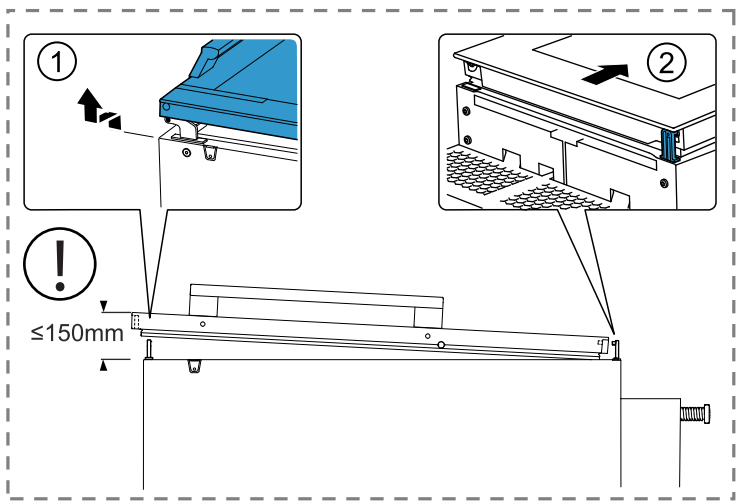
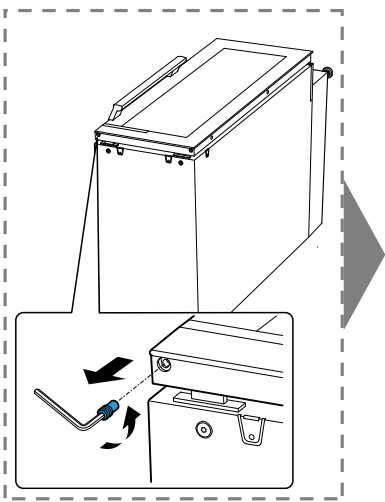
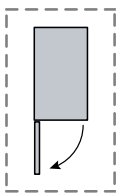


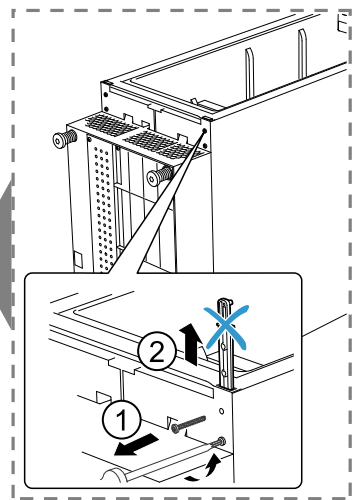
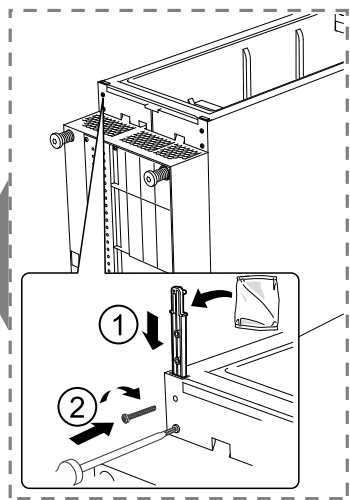
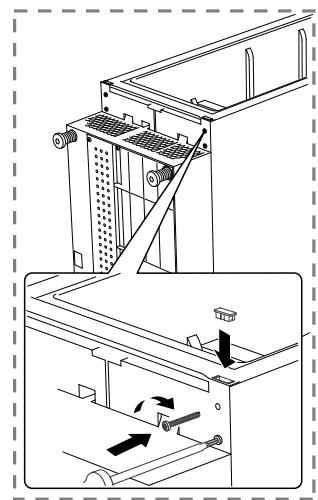
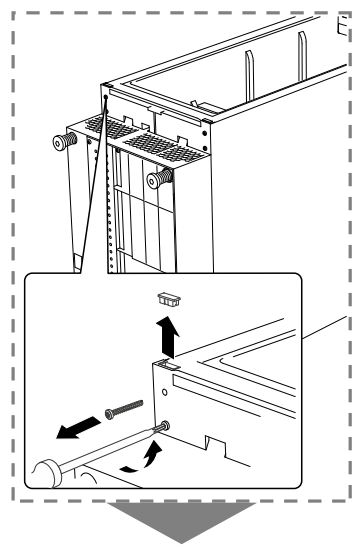
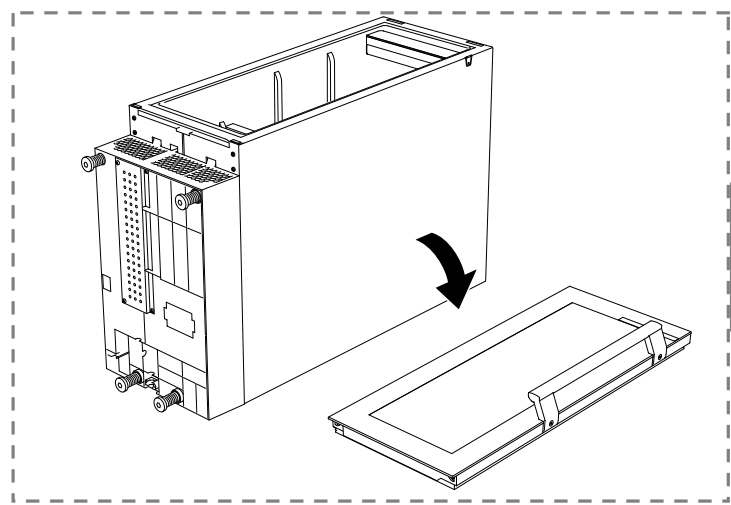
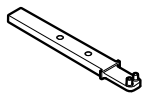
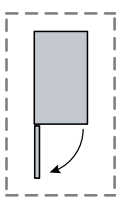


Torx  
T 25



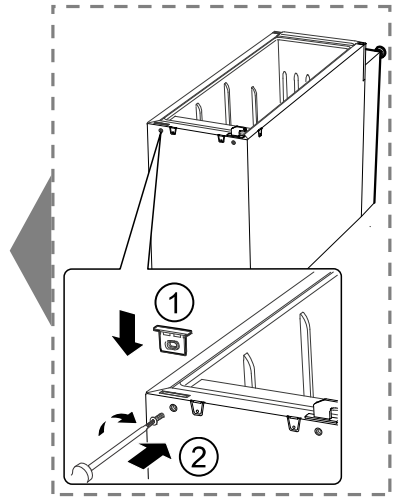
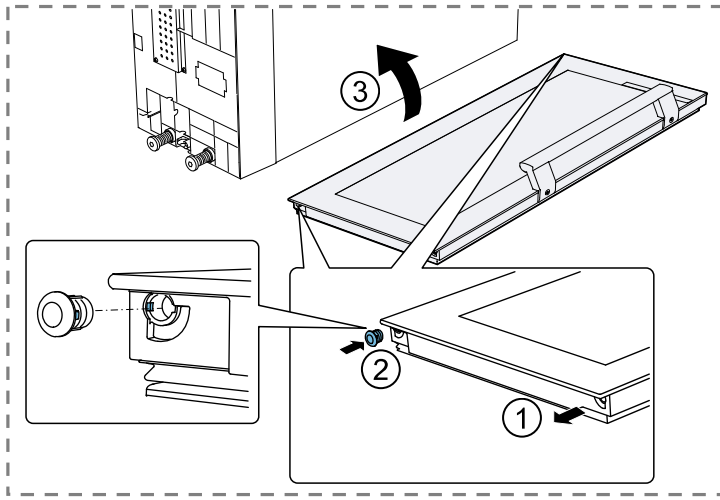
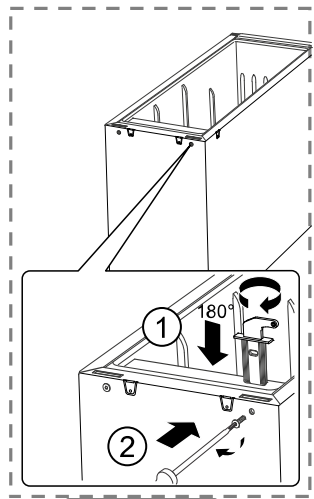
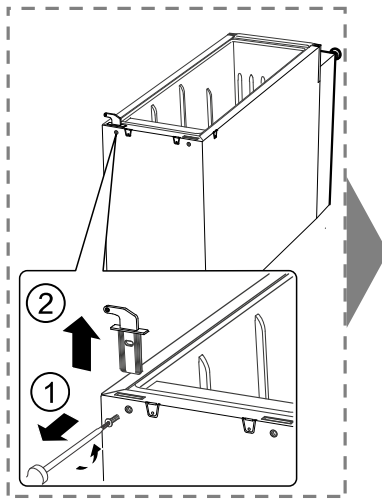
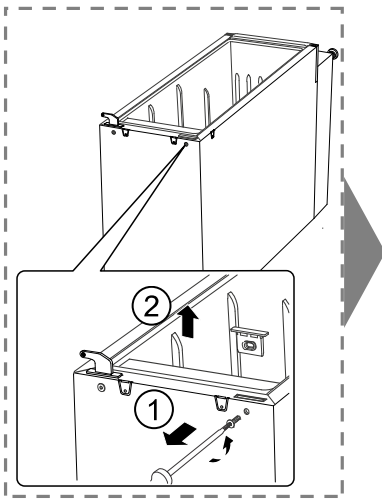
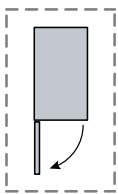






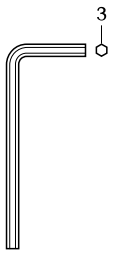
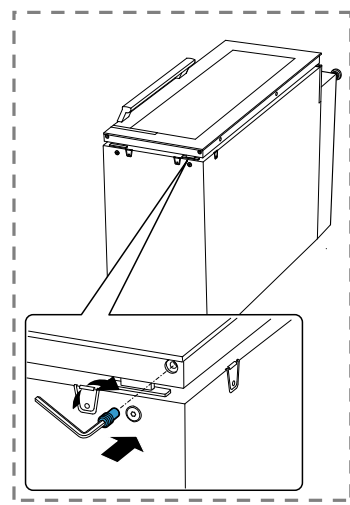
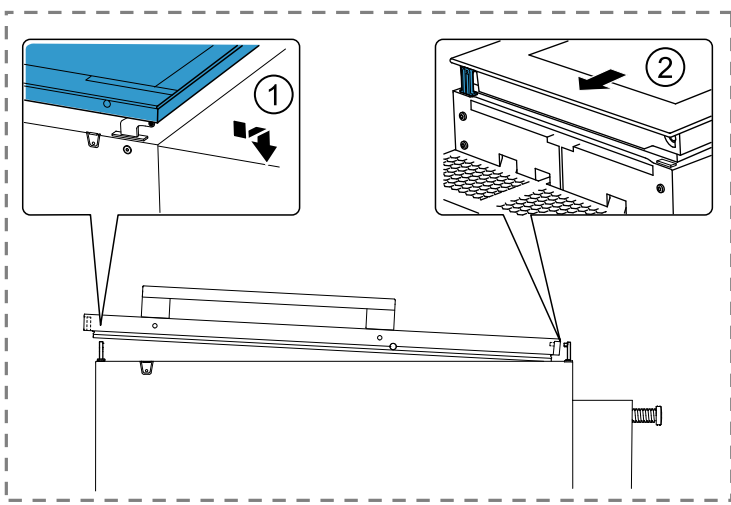
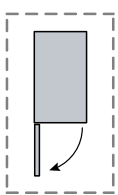
Torx  
T 20

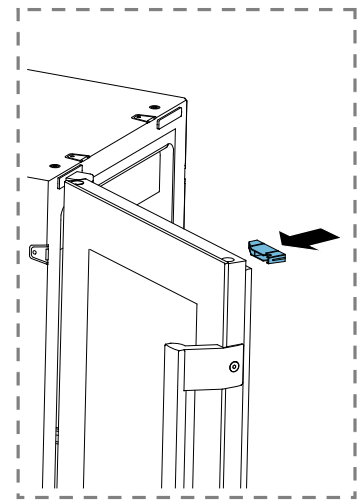
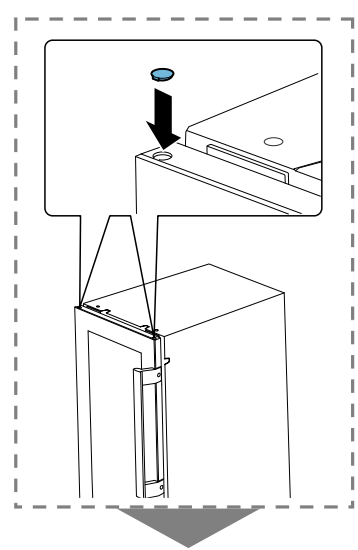
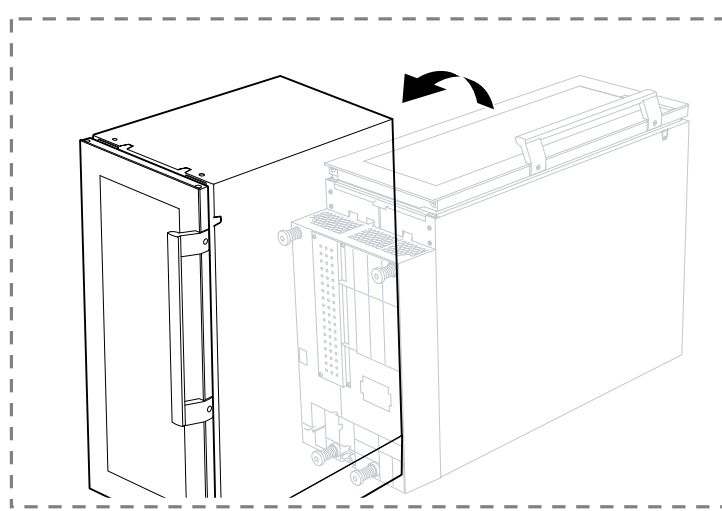
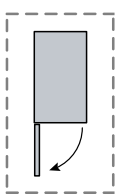


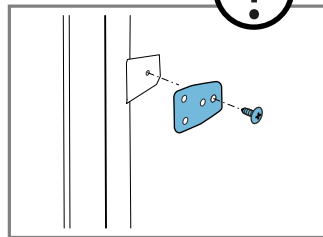
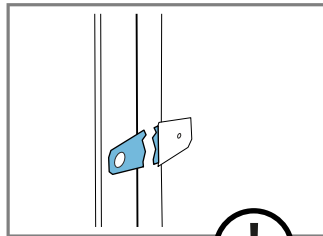
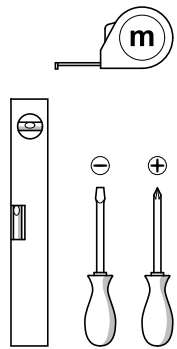
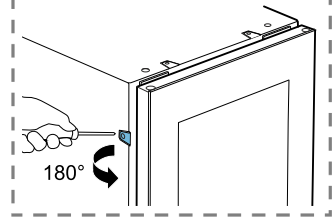
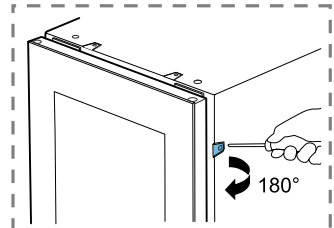
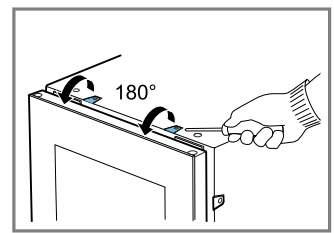
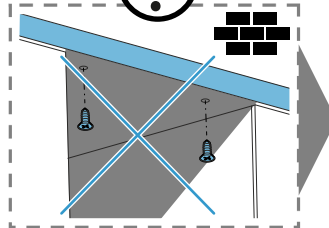
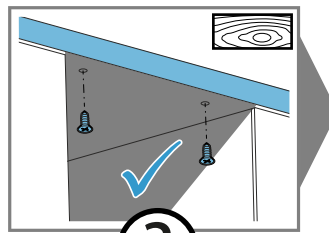
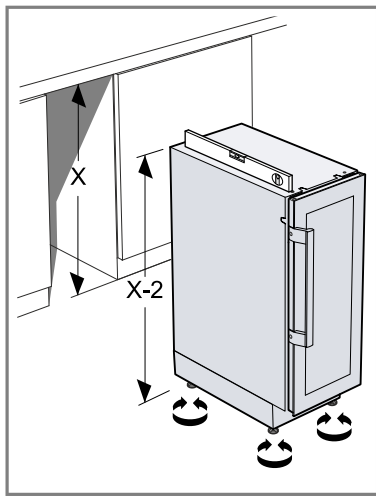
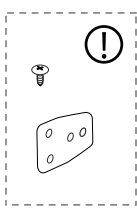


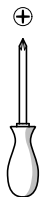
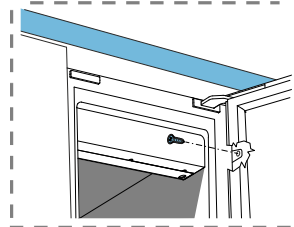
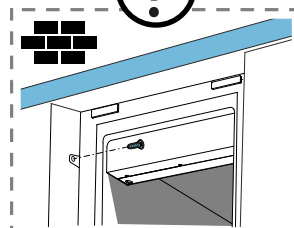
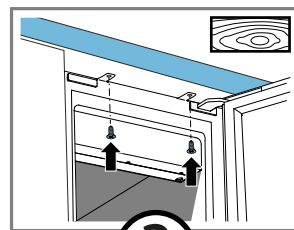
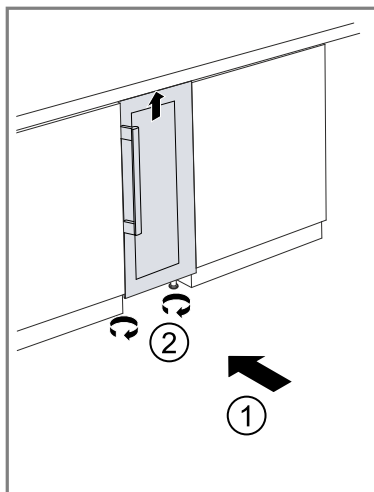
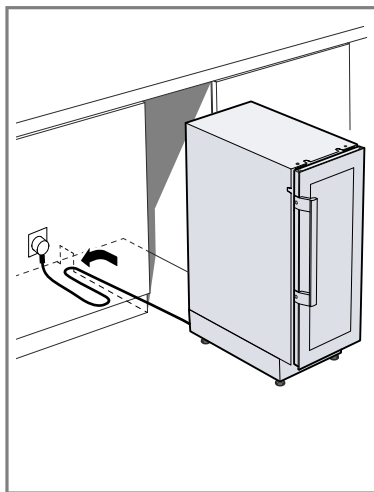
Torx  
T 25

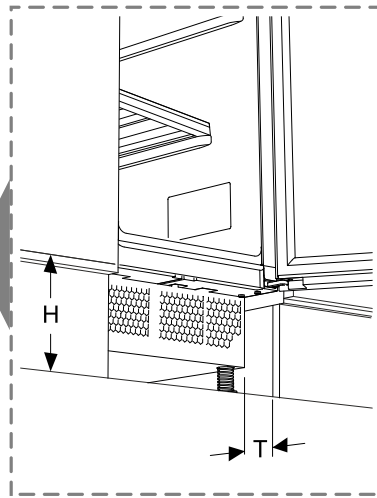
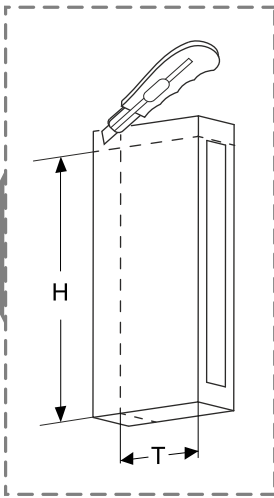
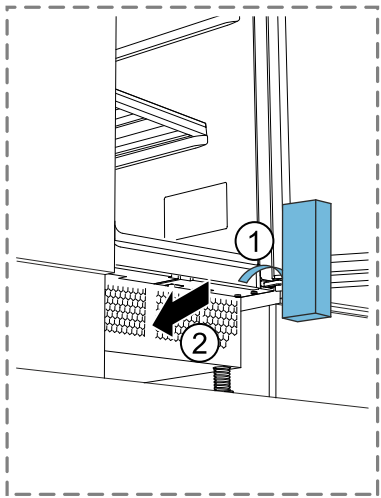
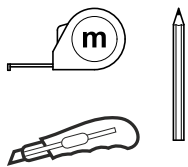
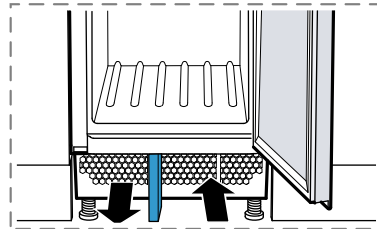
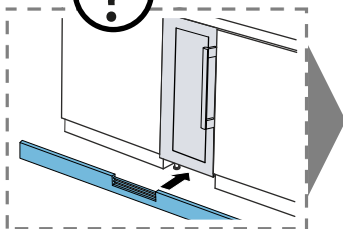
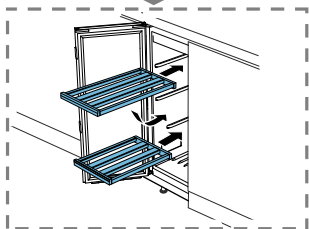
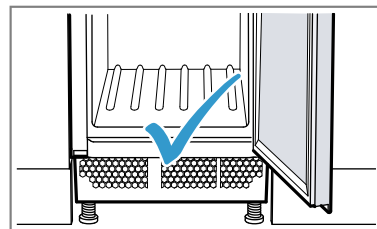
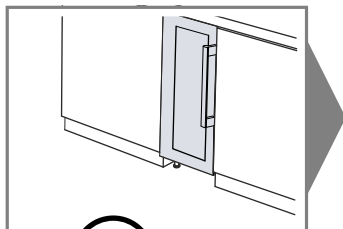
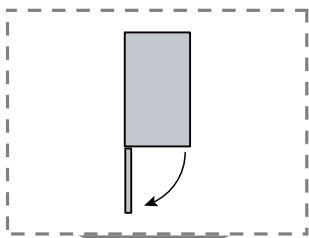
















A series of horizontal lines for writing, starting from a vertical margin line on the left and extending across the page.

