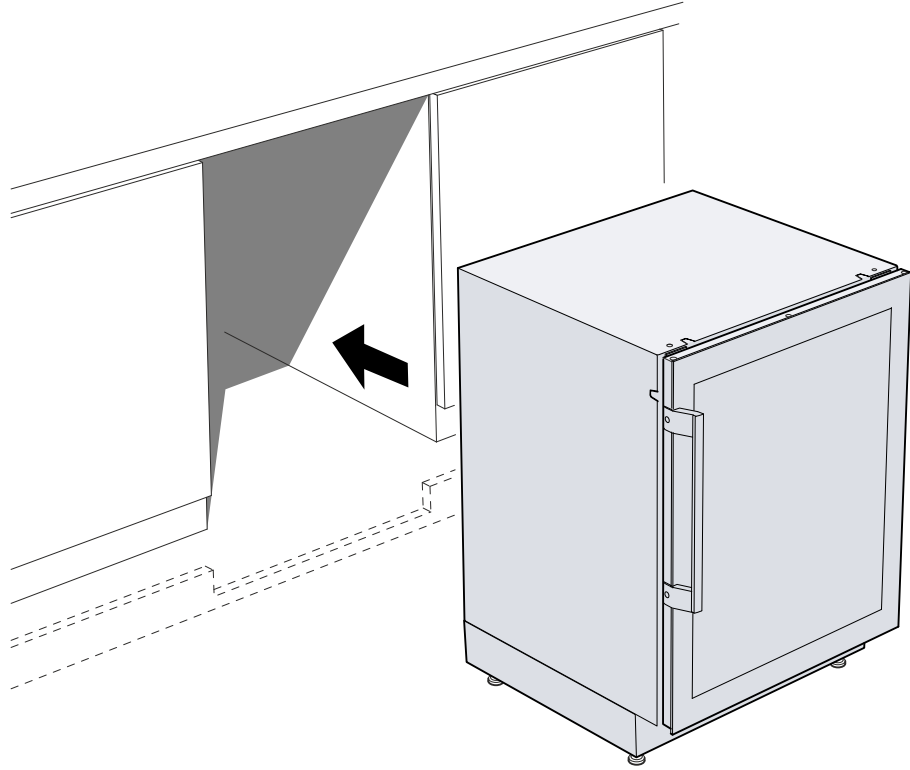


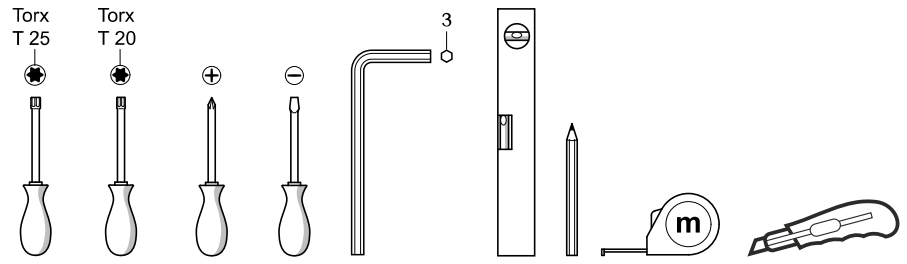
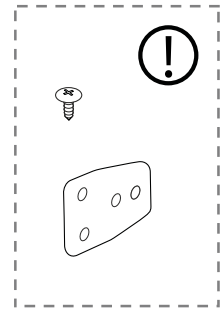
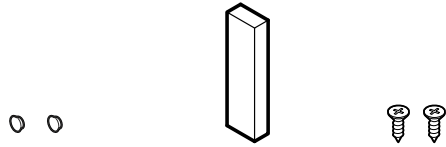
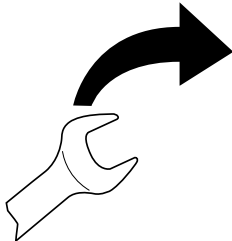
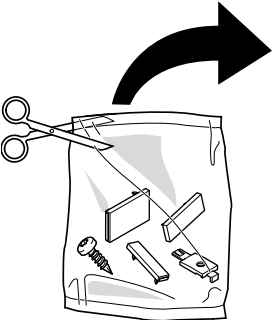


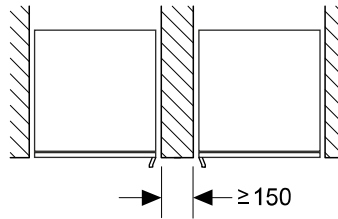
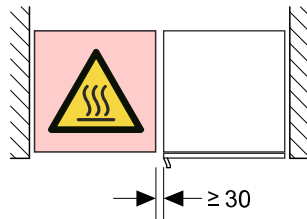
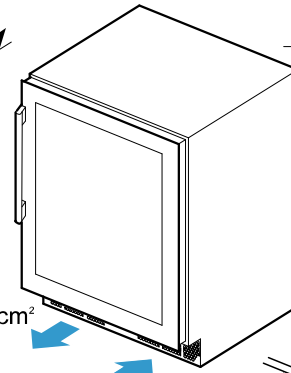
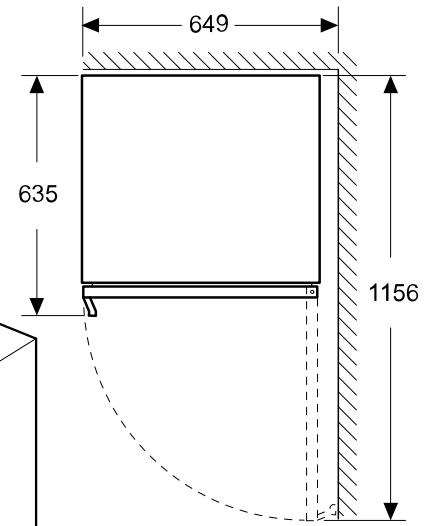
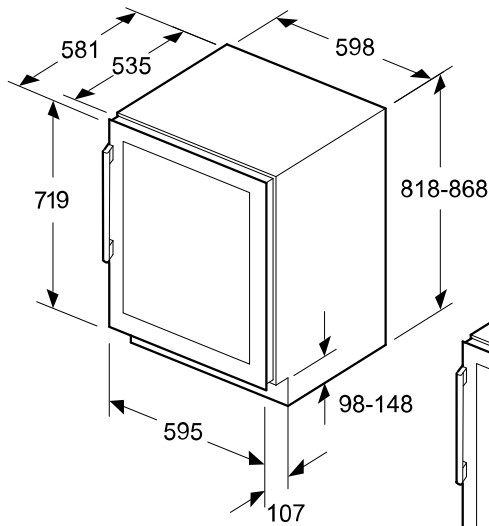
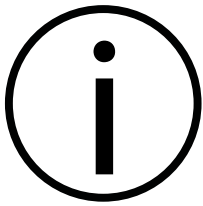
9001581603 (060213)



mm

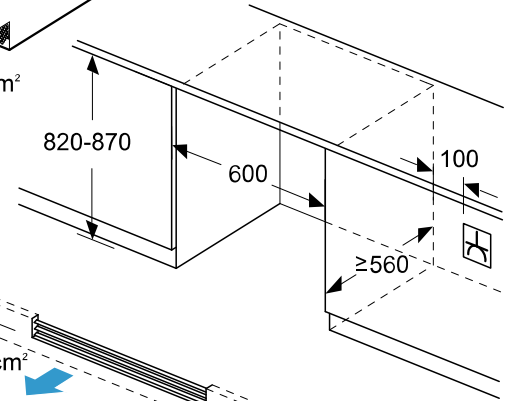






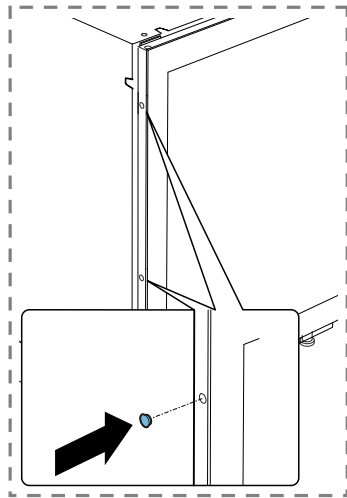
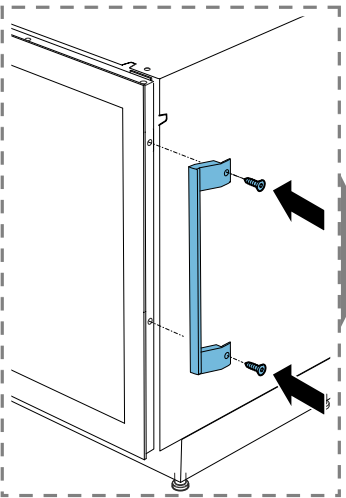
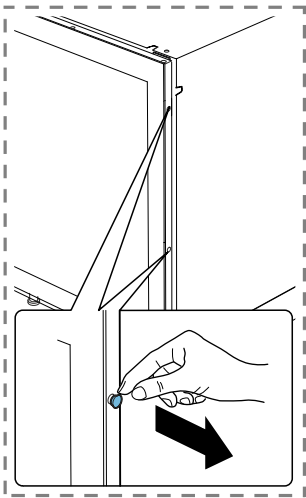
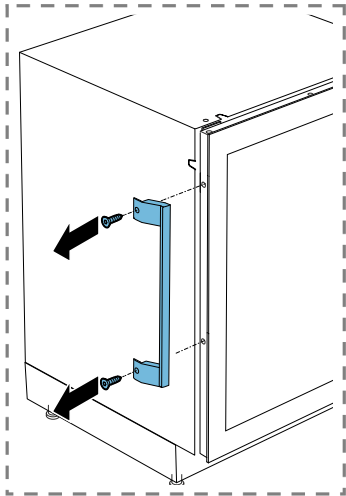
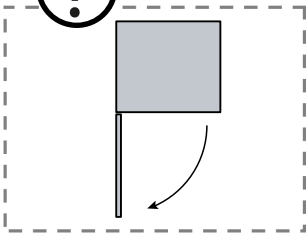
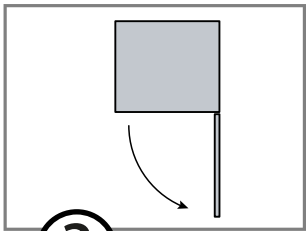
$\geq 80\text{cm}^2$

$\geq 80\text{cm}^2$



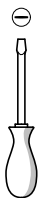
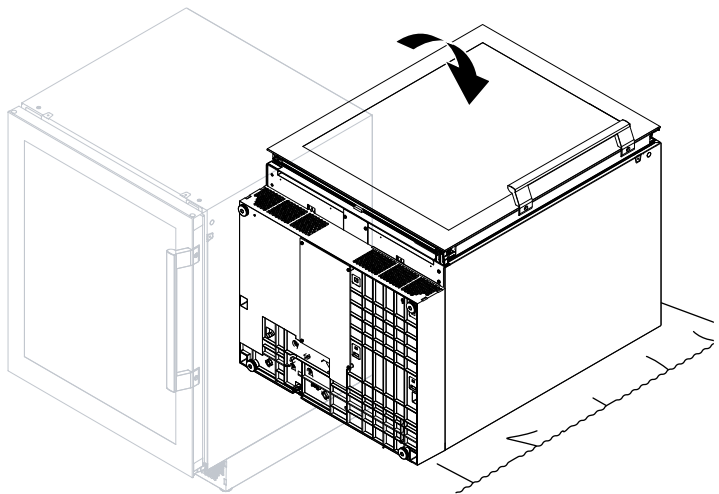
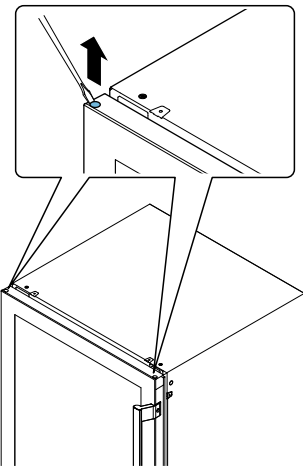
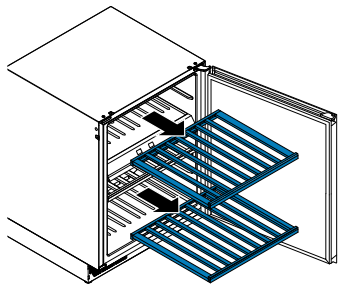
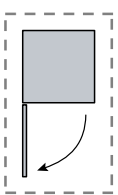
$\geq 80\text{cm}^2$

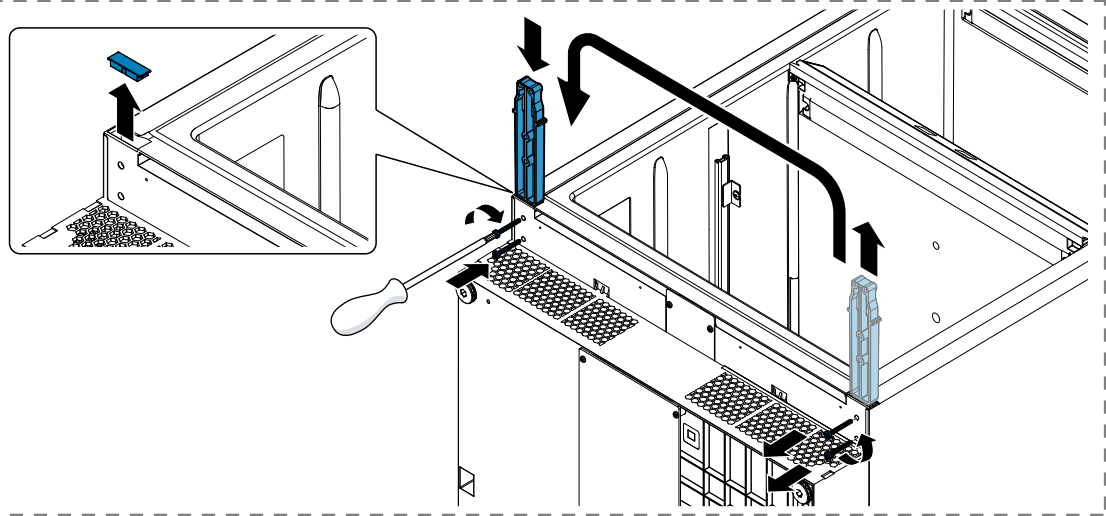
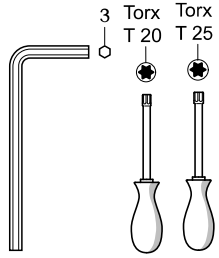
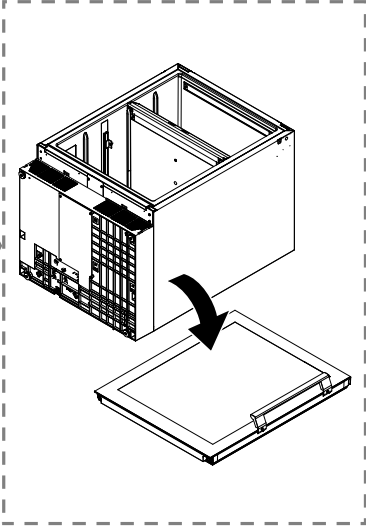
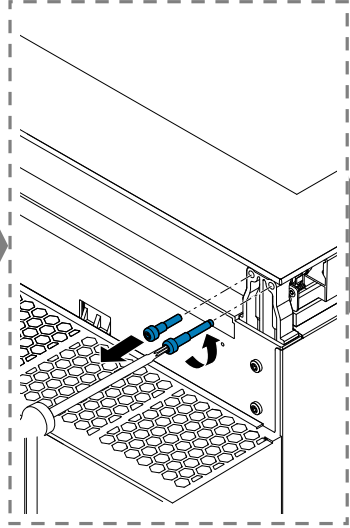
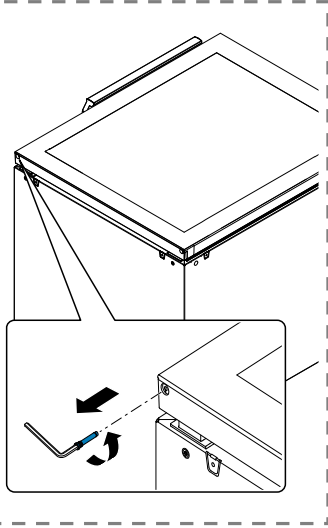
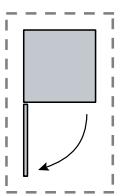
$\geq 80\text{cm}^2$

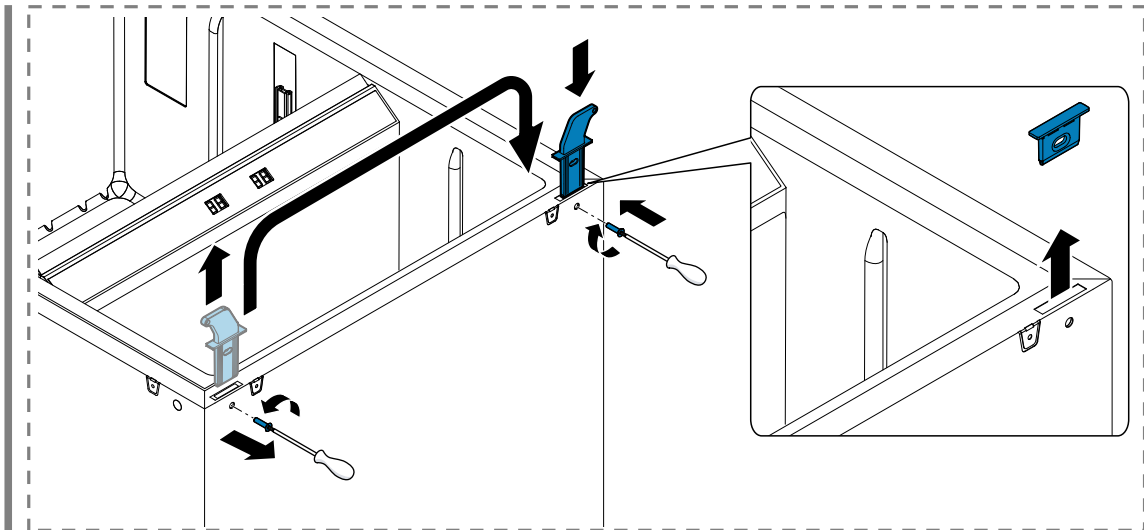
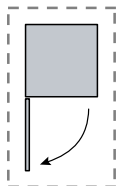


Torx  
T 25









Torx  
T 25

