

# U8F082DE1



Product Family	Freezers
Installation	Built-in
Built-In Niche	82-87 cm
Category	Under counter
Reference width	Until 60 cm
Reference height	Until 100 cm
Cooling type	Static
Hinge type	Door on door
Hinge position	Right
Reversible door	Yes



## Aesthetics

Aesthetic	Universale	Side material	Metal
Colour	White	Logo	Silk screen
Design	Flat	Drawers profile color	Silver
Material	Steel		

## Freezer compartment features

Number of drawers	3
-------------------	---

## Other technical features

Freezer compartment accessories	Ice cube tray	Refrigerant gas type	R600a
Fast freezing button	Yes	Type of compressor	Standard
Power on lamp	Yes	Refrigerant Quantity (g)	45 g
Temperature alarm lamp	Yes	Foam agent	Cyclopentane
Type of temperature control	Electro-mechanical	Max weight door panel (freezer)	40 kg
No. of compressors	1		

## Performance / Energy Label - Reg. 2019

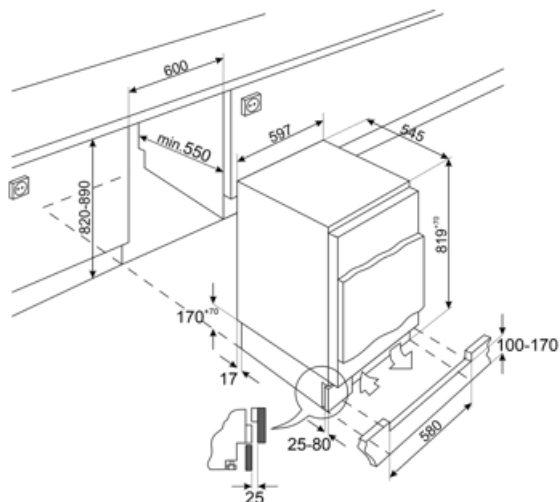


Annual energy consumption	176 kWh/a	Temperature Rise Time	12.60 h
---------------------------	-----------	-----------------------	---------

<b>Total net volume</b>	95 l	<b>4 star - Freezing capacity</b>	7.0 kg/24h
<b>Energy efficiency class</b>	E	<b>Climate class</b>	SN, N, ST, T
<b>Airborne acoustical noise emission class</b>	C	<b>EEL</b>	100 %
<b>Sum of the volumes of the frozen compartment(s)</b>	95 l		

## Electrical Connection

<b>Electrical connection rating</b>	120 W	<b>Frequency (Hz)</b>	50 Hz
<b>Current</b>	0.8 A	<b>Power supply cable length</b>	240 cm
<b>Voltage</b>	230-240 V	<b>Plug</b>	(F;E) Schuko



## Symbols glossary

---



Built-in niche



Energy efficiency class E